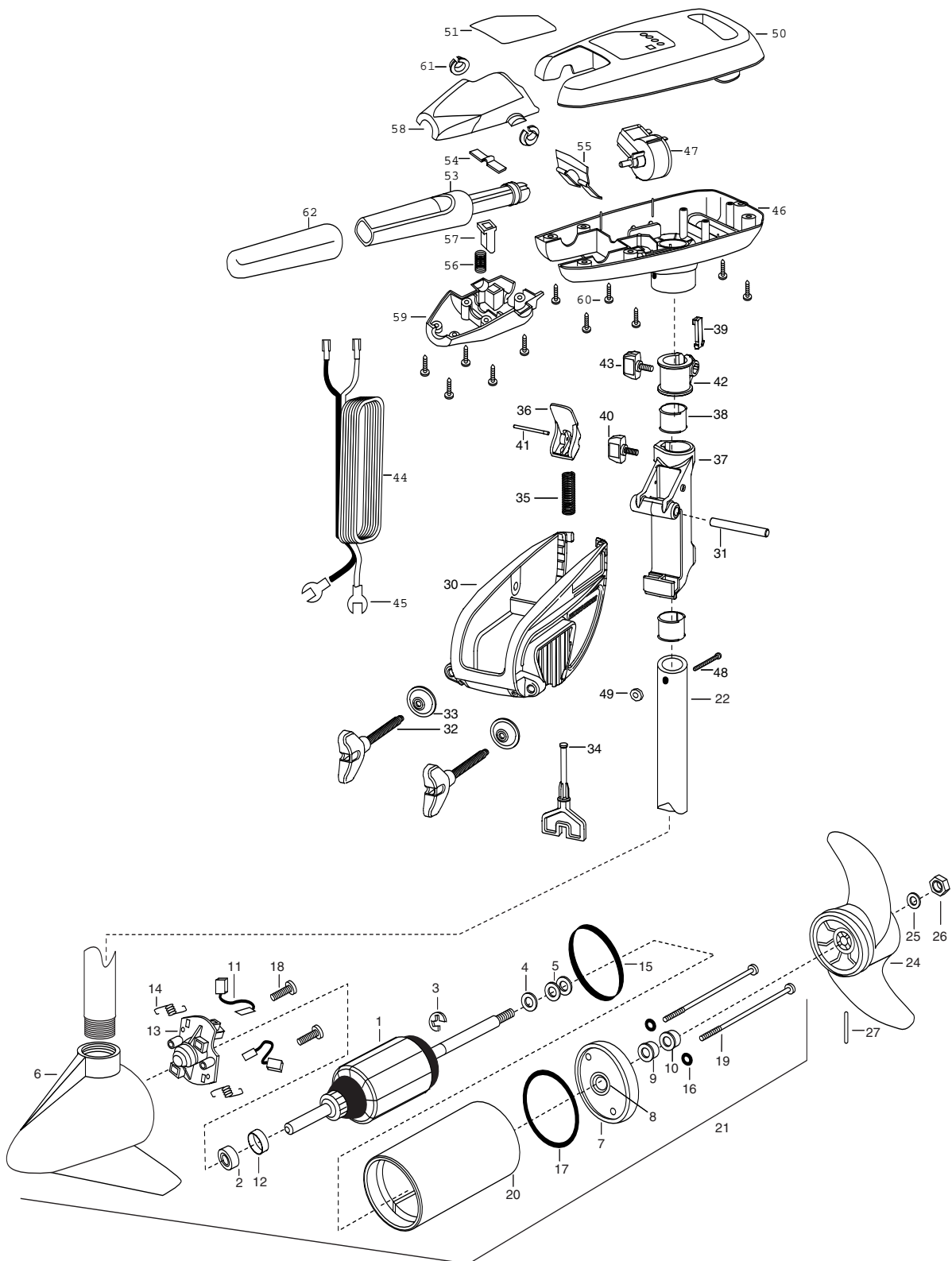


TURBO 47
47 LBS. THRUST
12 VOLT 42 AMPS
36" SHAFT

for use with "AG" serial numbers
 2-year warranty from the date of purchase



1	2-100-116	ARMATURE ASSEMBLY 12V 3.62	31	2060510	PIN-HINGE
2	140-010	BEARING -BALL	32	2061300	SCREW-CLAMP [2 EA.]
3	788-015	RETAINING-RING	33	2011710	WASHER-CLAMP SCREW [2 EA.]
4	990-067	WASHER- STEEL	34	2063605	T-BAR, PLASTIC
5	990-070	WASHER- NYLATRON [2.EA]	35	2062706	SPRING- (T-BAR)
6	2-300-196	HOUSING- BRUSH END 3.62 TXT	36	2067200	LEVER-TILT (RED)
7	2-400-101	PLAIN END HOUSING ASSEMBLY	37	2061810	HINGE-PLASTIC
8	144-049	BEARING- FLANGE	38	2037300	BUSHING-HINGE [2 EA.]
9	880-003	**SEAL	39	2062800	TENSION BLOCK-SNAP IN
10	880-006	**SEAL-W/SHIELD	40	2011385	SCREW, TENSION/KNOB
11	188-036	BRUSH ASSEMBLY [2.EA]	41	2060515	PIN, TILT LEVER
12	725-050	PAPER TUBE- BRUSH RETENTION	42	2061520	COLLAR-DEPTH ENDURA
13	738-036	BRUSH PLATE WITH HOLDER	43	2011365	SCREW-COLLAR/NEW KNOB
14	975-040	SPRING- TORSION [2.EA]	44	2050609	LEADWIRE (10 GA) SPADE TERM
15	337-036	**GASKET	45	2020702	SPADE TERMINAL [2 EA.]
16	701-008	**O-RING—THRU BOLT [2.EA]	46	2062551	CONTROL BOX W/HAND
17	701-081	**O-RING	47	2064023	SWITCH FWD/REV 5 SP
18	830-007	SCREW- 8-32X1 [2.EA]	48	2033400	SCREW 10-24X1-3/4
19	830-042	THRU BOLT 10-32X8.83 [2.EA]	49	2013110	NUT- HEX 10-24
20	431-101	HOUSING- CENTER ASSEMBLY 3.62 TXT	50	2060281	CONTROL BOX COVER
21	2097061	MOTOR-ASSEMBLY 12V 3.62 5SPC TXT	51	2065655	DECAL-COVER
22	2032052	TUBE (COMPOSITE) 36"	53	2990912	HANDLE ASSEMBLY W/ U-JOINT 5SP
■	1378131	PROPELLER KIT	54	2302742	SPRING-DETENT (OFF) SS
24	2091160	PROP (WEEDLESS WEDGE 2)	55	2302743	SPRING-DETENT HANDLE-TILT
25	2151726	WASHER-PROP 5/16 STD SS	56	2302745	SPRING-RELEASE BUTTON SS
26	2053101	NUT-PROP MED 5/16	57	2303720	RELEASE BUTTON-HANDLE
27	2092600	PIN-DRIVE SS	58	2060408	HANDLE (TOP HALF)
■	2771811	BRACKET & HINGE ASSEMBLY (INCLUDES- 30—41)	59	2060415	HANDLE (LOWER HALF)
■	2771910	BRACKET ASSEMBLY (INCLUDES- 30,32,33)	60	2303412	SCREW-6-20 X 5/8 SELF TAP [11 EA.]
*30	2061910	BRACKET	61	2060005	BEARING-HANDLE PIVOT [2 EA.]
			62	2060425	HANDLE (EXTENSION)

** Seal & Oring Kit P/N 2888460 * This item is part of an assembly. This item cannot be sold separately due to machining and /or assembly that is required. P/N 2064953 REV. A 12-04

