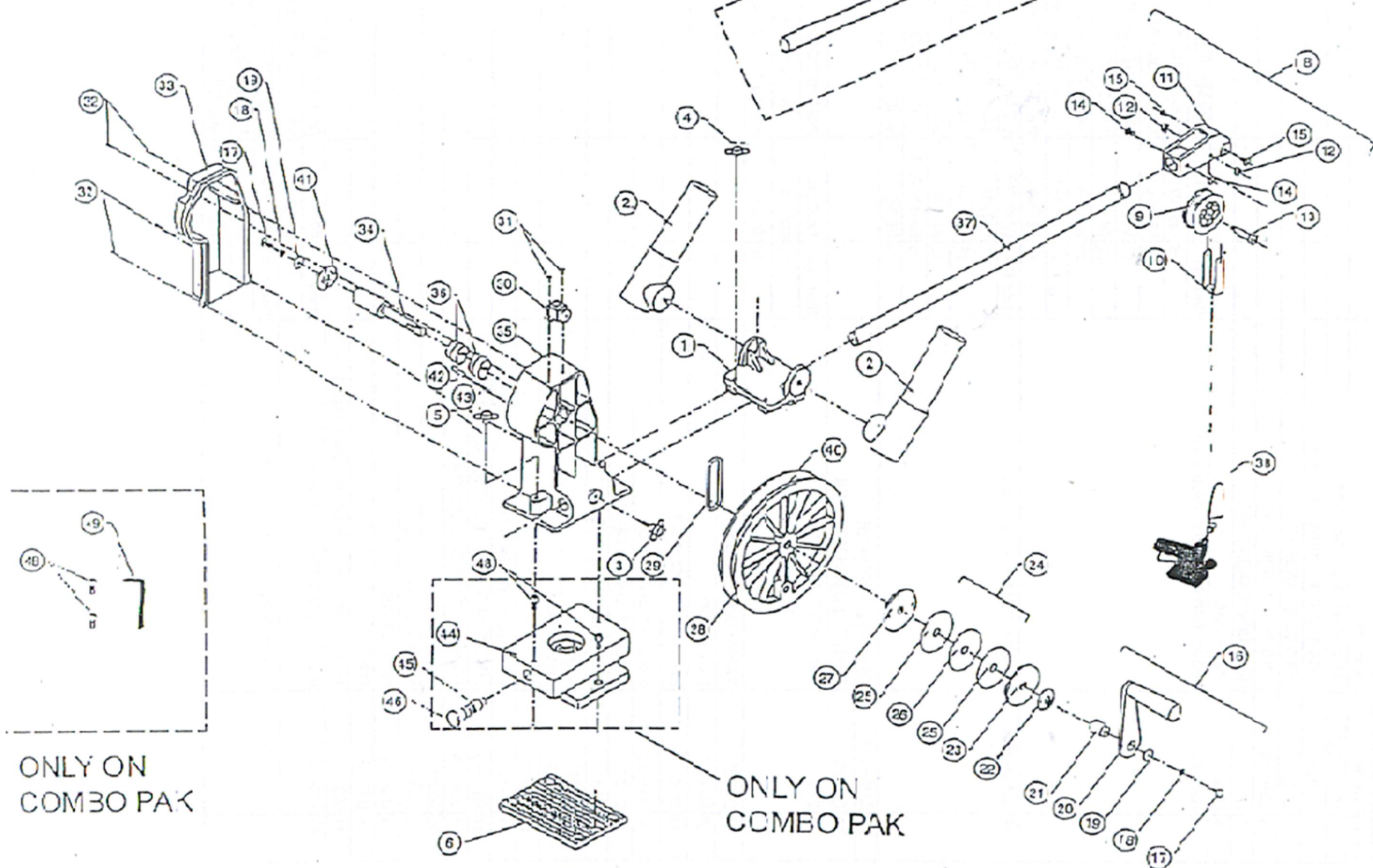


KINGFISHER 1 (Single Roc Hlder & Bracket)

KINGFISHER 2 (Dual Roc Hlder & Bracket)

C-KINGFISHER (Combo pack 2 + 2)

ONLY ON  
COMBO PAK



ONLY ON  
COMBO PAK

ONLY ON  
COMBO PAK

# on Schematic	New Part #	Old Part #	Description	Qty. Used
1	<a href="#">WF30169</a>	<a href="#">ADRH-01-88</a>	<a href="#">Dual Rod Holder Bracket</a>	1
2	<a href="#">WF30213</a>	<a href="#">ADRH-TH</a>	<a href="#">Tube and Tube holder</a>	2
4	<a href="#">WF20009</a>	<a href="#">ASRH-04</a>	<a href="#">Hold Down Knob 2-1/4"</a> Packaged part - comes with CP-13	1
5	<a href="#">WF20009</a>	<a href="#">CP-13</a>	<a href="#">Hold Down Knob 1-5/8"</a> Packaged part - comes with ASRH-04	1
6	<a href="#">WF01572</a>	<a href="#">DP-1</a>	<a href="#">Deck Plate</a>	1
8	<a href="#">WF00704</a>	<a href="#">SEAN-88</a>	<a href="#">Swivel End Assembly (includes parts 15-21)</a>	1
9		DRA-07	Swivel Pulley	
10	<a href="#">WF20665</a>	<a href="#">SEAN-02</a>	<a href="#">Line Guide Bracket</a>	1
11	<a href="#">WF20528</a>	<a href="#">SEAN-01</a>	<a href="#">Swivel Head Housing</a>	1
12		CP-23	SS Hex Nut	
13		DRA-23	1/4-20X1.8 SS Threaded Screw	
14		DRA-19 X	1/4x3/8 SS Pan HD Screw	
15		SEAN-04	#10-32x3/8 SS Pan HD Screw	
16		HAN-KF/LM	Handle Assembly (includes parts 29-33)	
17		HDR-63	1/4-20x1/2 SS	1
18		HDR-69	1/4 SS Int. Tooth Lock Washer	1
19		HDR-64	1/4 SS Flat Washer	1
20		LLSR-SUB-2	Crank Arm Sub Assembly	1
21	<a href="#">WF20238</a>	<a href="#">HDR-52</a>	<a href="#">Spacer Shaft</a>	1
22	<a href="#">WF20221</a>	<a href="#">EDR-11</a>	<a href="#">Belleville Washer</a>	1
23	<a href="#">WF01671</a>	<a href="#">CP-38</a>	<a href="#">Outer Clutch Washer</a>	1
25	<a href="#">WF20047</a>	<a href="#">EDR-29</a>	<a href="#">Fiber Clutch Washer</a>	1
26	<a href="#">WF20047</a>	<a href="#">EDR-30</a>	<a href="#">Nylon Clutch Washer</a>	1
27	<a href="#">WF01664</a>	<a href="#">EDR-25</a>	<a href="#">Inner Clutch Washer</a>	1
28	<a href="#">WF30138</a>	<a href="#">HDR-02</a>	<a href="#">Large Wheel</a>	1
29	<a href="#">WF01503</a>	<a href="#">CP-09</a>	<a href="#">Counter Spring Drive</a>	1
30	<a href="#">WF01480</a>	<a href="#">EDR-RH</a>	<a href="#">Right Hand Counter</a>	1
31		CP-33	#6x 3/8 Screw	2
32		CP-11	#6X5/8 SS Pan HD Screw	4
33	<a href="#">WF30107</a>	<a href="#">KF-005</a>	<a href="#">Cover</a>	1
34		KF-002	Kingfisher Drive Shaft	1
35	<a href="#">WF30077</a>	<a href="#">EDR-01</a>	<a href="#">Body</a>	1

36		CP-10	Thompson Nyliner Bearing	1
37	<a href="#"><u>WF01589</u></a>	<a href="#"><u>AR2+2</u></a>	<a href="#"><u>2 Piece 4' Sectional Arm (supplied with Combo Packs)</u></a>	1
38	<a href="#"><u>WF20511</u></a>	<a href="#"><u>LR-TERM</u></a>	<a href="#"><u>Terminator Release / Clincher Combo</u></a>	1
40	<a href="#"><u>WF00735</u></a>	<a href="#"><u>200W</u></a>	<a href="#"><u>200' 195# Test SS Cable</u></a>	1
41		KF-001	1-1/2" Ratchet Plate	1
42		LLSR-04	Ratchet pin	1
43		LLSR-05	Spring	1
44	<a href="#"><u>WF00650</u></a>	<a href="#"><u>SSB</u></a>	<a href="#"><u>Swivel Base (Only on Combo Models)</u></a>	1
45	<a href="#"><u>WF01947</u></a>	<a href="#"><u>SSB-IDA</u></a>	<a href="#"><u>Index Pin Assembly</u></a>	1