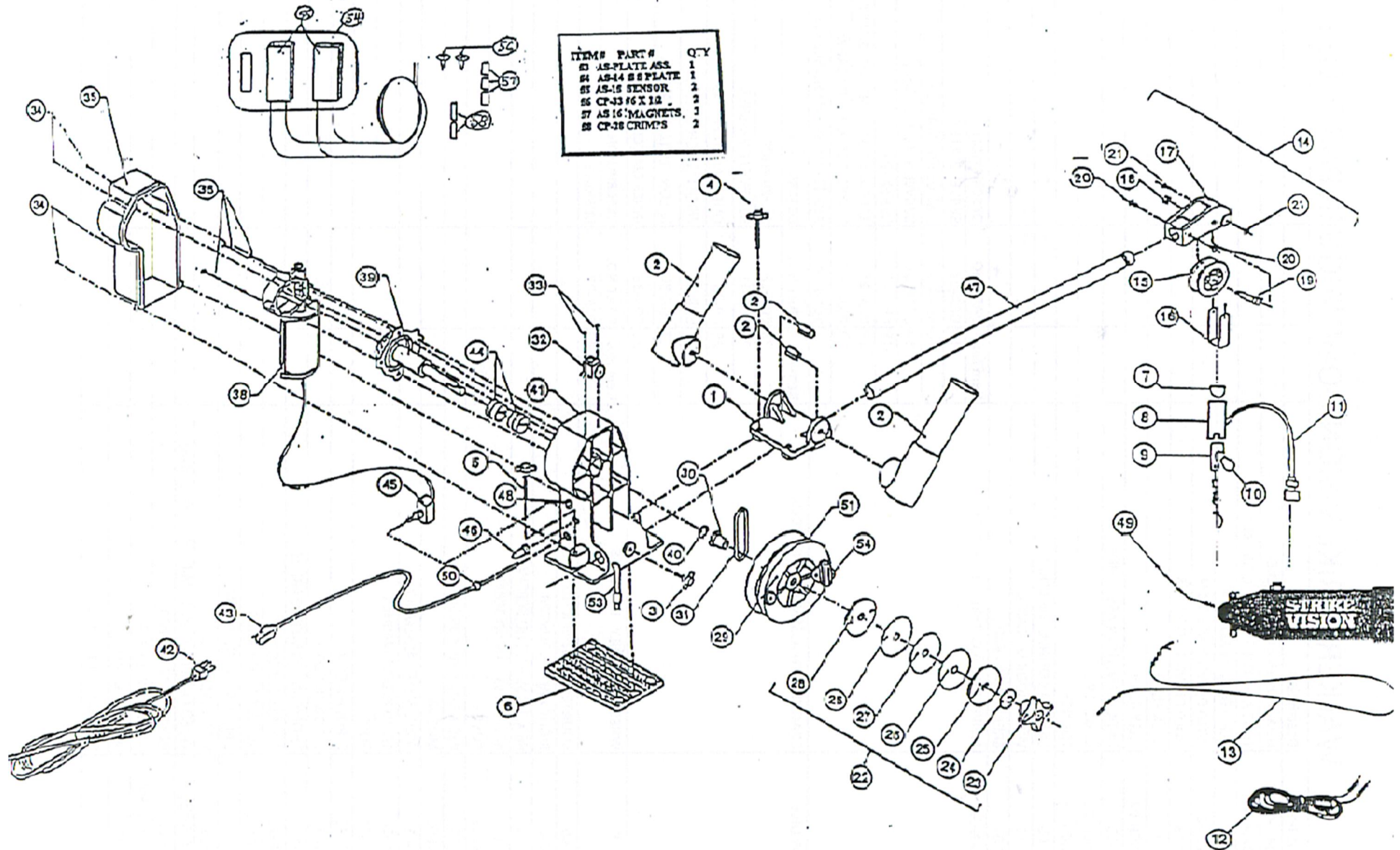


# STRIKE VISION™ RETRIEVAL UNIT DRAWING



# on Schematic	New Part #	Old Part #	Description	Qty. Used
1	<a href="#">WF30169</a>	<a href="#">ADRH-01-88</a>	<a href="#">Dual Rod Holder Bracket</a>	1
2	<a href="#">WF30213</a>	<a href="#">ADRH-TH</a>	<a href="#">Tube and Tube holder</a>	2
3		CP-17	3/4" Hold Down Knob (2 Pack)	1
4	<a href="#">WF20009</a>	<a href="#">ASRH-04</a>	<a href="#">Hold Down Knob 2-1/4"</a> Packaged part - comes with CP-13	1
5	<a href="#">WF20009</a>	<a href="#">CP-13</a>	<a href="#">Hold Down Knob 1-5/8"</a> Packaged part - comes with ASRH-04	1
6	<a href="#">WF01572</a>	<a href="#">DP-1</a>	<a href="#">Deck Plate</a>	1
7		CINCH-02	Jelly Bean	1
8		SV-05	Data Transition Assembly	1
9	<a href="#">WF01374</a>	<a href="#">CINCH-01</a>	<a href="#">Clicher</a>	1
10		CINCH-03	Tongue	1
11		SV-06	Camera Connector Cord	1
12		SV-12	Video Hook Up Cable	1
13		SV-07	Breakaway Lead	1
14	<a href="#">WF00704</a>	<a href="#">SEAN-88</a>	<a href="#">Swivel End Assembly (includes parts 15-21)</a>	1
15		DRA-07	Swivel Pulley	1
16	<a href="#">WF20665</a>	<a href="#">SEAN-02</a>	<a href="#">Line Guide Bracket</a>	1
17	<a href="#">WF20528</a>	<a href="#">SEAN-01</a>	<a href="#">Swivel Head Housing</a>	1
18		CP-23	SS Hex Nut	1
19		DRA-23	1/4-20X1.8 SS Threaded Screw	2
20		DRA-19 X	1/4X3/8 SS Pan HD Screw	2
21		SEAN-04	#10-32x3/8 SS Pan HD Screw	2
22		EDR-DRA	Drag Clutch Assembly (includes parts 23-28)	1
23	<a href="#">WF01473</a>	<a href="#">EDR-12</a>	<a href="#">1/2-20 Knob</a>	1
24	<a href="#">WF20221</a>	<a href="#">EDR-11</a>	<a href="#">Belleville Washer</a>	1
25	<a href="#">WF01671</a>	<a href="#">CP-38</a>	<a href="#">Outer Clutch Washer</a>	1
26	<a href="#">WF20047</a>	<a href="#">EDR-29</a>	<a href="#">Fiber Clutch Washer</a>	1
27	<a href="#">WF01664</a>	<a href="#">EDR-30</a>	<a href="#">Nylon Clutch Washer</a>	1
28	<a href="#">WF01664</a>	<a href="#">EDR-25</a>	<a href="#">Inner Clutch Washer</a>	1
29	<a href="#">WF30114</a>	<a href="#">CP-02</a>	<a href="#">Wheel Assembly (includes part 30)</a>	1
30		EDR-27	Bushing	1
31	<a href="#">WF01503</a>	<a href="#">CP-09</a>	<a href="#">Counter Spring Drive</a>	1
32	<a href="#">WG01480</a>	<a href="#">EDR-RH</a>	<a href="#">Right Hand Counter</a>	1
33		CP-33	#6x 3/8 Screw	2

34		CP-11	#6X5/8 SS Pan HD Screw	4
35	<a href="#"><u>WF30084</u></a>	<a href="#"><u>EDR-03</u></a>	<a href="#"><u>Motor Cover</u></a>	1
36		CP-05	#10-1-1/2 Motor Screw	4
38	<a href="#"><u>WF30091</u></a>	<a href="#"><u>EDR-09</u></a>	<a href="#"><u>Motor</u></a>	1
39	<a href="#"><u>WF30237</u></a>	<a href="#"><u>DSA-1</u></a>	<a href="#"><u>Drive Shaft Assembly</u></a>	1
40		EDR-26	1/2 ID Nylon Washer	1
41	<a href="#"><u>WF30077</u></a>	<a href="#"><u>EDR-01</u></a>	<a href="#"><u>Body</u></a>	1
42	<a href="#"><u>WF01978</u></a>	<a href="#"><u>EDR-40</u></a>	<a href="#"><u>Power Cord 6'</u></a>	1
43	<a href="#"><u>WF30152</u></a>	<a href="#"><u>EDR-41</u></a>	<a href="#"><u>Power Cord 2'</u></a>	1
44		CP-10	Thompson Nyliner Bearing	2
45	<a href="#"><u>WF01985</u></a>	<a href="#"><u>EDR-10</u></a>	<a href="#"><u>Switch</u></a>	1
46	<a href="#"><u>WF01992</u></a>	<a href="#"><u>EDR-BOOT</u></a>	<a href="#"><u>Black Switch Boot</u></a>	1
47	<a href="#"><u>WF01589</u></a>	<a href="#"><u>AR2+2</u></a>	<a href="#"><u>2 Piece 4' Sectional Arm (supplied with Combo Packs)</u></a>	1
48		SV-03	Video (RCA) Jack	1
49			Video Camera	1
50		EDR-07	Heyco Cord Keeper	1
51		SV-125'/150'	Strikeview Cable	1
53		SV-01	Slipjack Cord	1
52		SV-02	Slipjack Connector	1