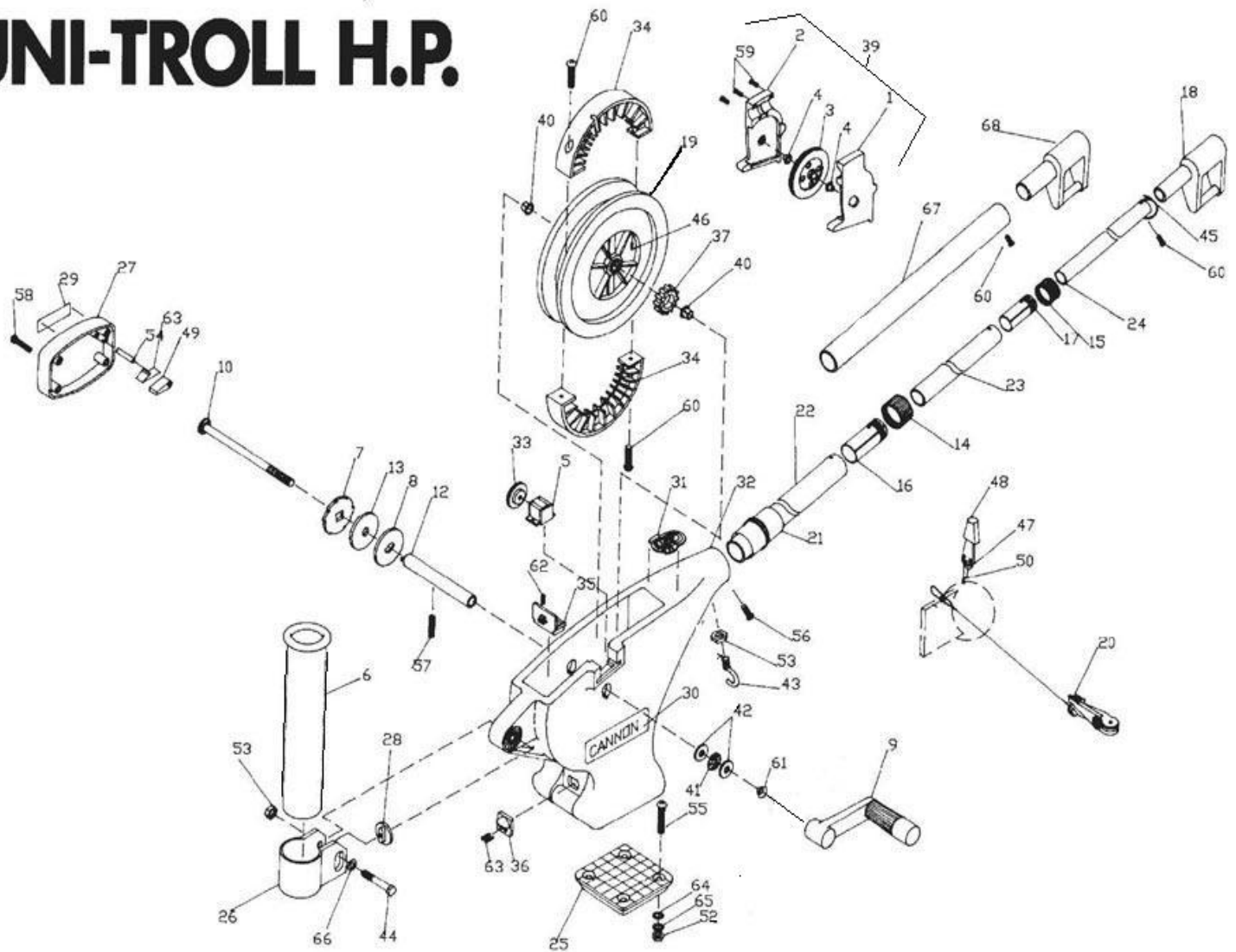


UNI-TROLL H.P.



#	PART #	DESCRIPTION
1	0267001	PLATE SIDE
2	0267002	PLATE SIDE
3	0269726	PULLEY WHEEL
4	9010070	BEARING BRASS
5	0220477	METER 3 DIGIT
6	0290796	TUBE ROD HOLDER
7	0467694	RATCHET BRAKE
8	0467695	REEL PLATE
9	0902000	HANDLE CRANK
10	1000904	SHAFT RATCHET
11	2215396	WIR CABLE 200'
12	1080001	SHAFT REEL ET/UT
13	1264670	CLUTCH PAD
14	2219822	CLAMP BASE
15	2219823	CLAMP INTER
16	2222822	COLLET BASE
17	2222823	COLLET INTER
18	2227820	TELESCOPIC BOOM END
19	3374001	REEL & GEAR ASM
20	2277002	RELEASE ASM AL
21	2281820	LIT INS TELESCOPE BOOM
22	2290828	TUBE BOOM BASE
23	2290829	TUBE BOOM INTER.

#	PART #	DESCRIPTION
24	2290830	TUBE BOOM END .
25	3307002	BASE LOW PROFILE
26	3319005	CLAMP ROD HOLDER OBROUND
27	3321001	COVER-CLUTCH
28	3325002	DISC ROD HOLDER OBROUND
29	3327002	EMBLEM 3/4 X 3
30	3327003	EMBLEM 1 X 4
31	3327004	DEC EMBLEM NOSE
32	3330002	FRAME - MID SIZE
33	3333003	GEAR COUNTER
34	3347001	HSG INSERT REEL
35	3356050	LATCH-SNAP
36	3356052	KNOB SNAP LATCH
37	3333004	GEAR REEL UT HP
39	0200135	SWIVEL HEAD
40	9010001	NYLINER KEYED
41	9010280	BEARING TORQUE
42	9010310	BEARING RACE T
43	9040040	BOLT 1/4-20 HOOK
44	9040310	BOLT 5/16-18 X 2
45	9070502	CABLE TIE NYLON

#	PART #	DESCRIPTION
46	9100070	CONN. SLEEVE
47	9100100	CONN. TERM.
48	9100101	CUSHION SLEEVE
49	9100160	DOG RATCHET
50	9100620	SNAP SWIVEL
52	9130100	NUT 1/4-20 HEX
53	9130190	NUT 5/16-18 HEX
54	9250003	PIN 3/16 X 7/8
55	9280725	SCR 1/4 20X2 1/2
56	9280750	SCR 1/4 20X3/4
57	9340130	SCR SET 5/16-18X1
58	9370001	SCR #10X1 1/4
59	9370010	SCR #4X 1/2
60	9370070	SCR #8X5/8
61	9400040	SPRING CRANK
62	9400050	SPRING SNAP LATCH .625"
63	9400070	SPRING DOG
64	9430040	WASHER 1/4 IN FLAT
65	9430070	WASHER 1/4 IN SPLIT LOCK
66	9430101	WASHER 5/16 FLAT
67	2290817	TUBE 18" BOOM BLACK
68	2216403	BOOM END LEXAN