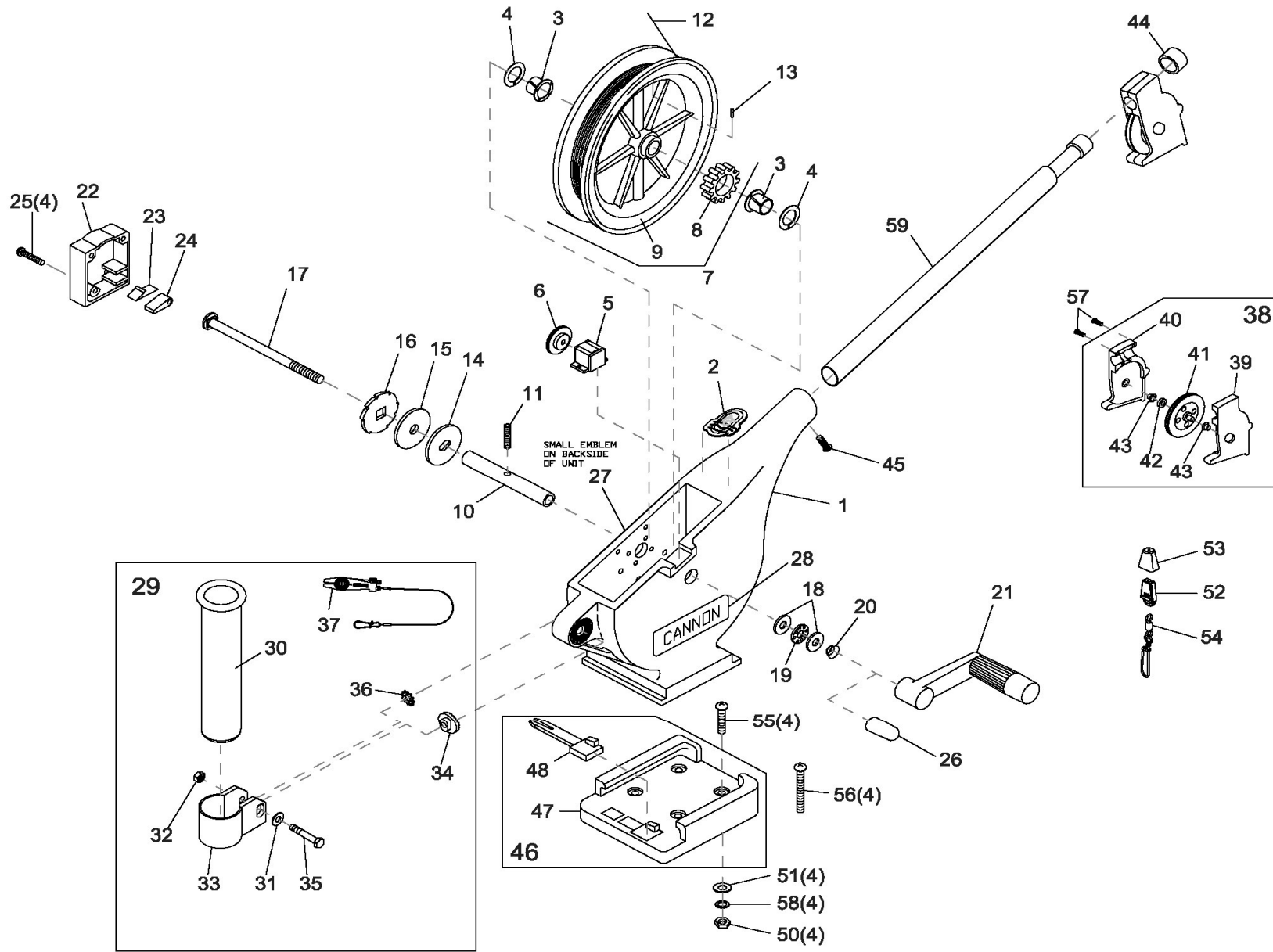




# EASI-TROLL HS™

for use with "AH" serial numbers



In the U.S.A., replacement parts may be ordered directly from CANNON Parts Dept., 121 Power Drive, Mankato, Minnesota 56001. In Canada, parts may be ordered from any of the Canadian Authorized Service Centers shown on the enclosed list. Be sure to provide the MODEL and SERIAL numbers of your downrigger when ordering parts. Please use the correct part numbers from the parts list. Payment for any parts ordered from the CANNON parts department, may be by cash, personal check, Discover Card, MasterCard or VISA. To order, call 1-800-227-6433 or FAX 1-800-527-4464.

1	3330001	FRAME - EASI-TROLL (LEXAN)	31	2151726	>WASHER - 5/16" FLAT
2	3327006	DECAL - NOSE, EASI-TROLL	32	2383106	>NUT - 5/16"-18 SS
3	9010001	BEARING - REEL SHAFT [2.EA]	33	3319005	>CLAMP - ROD HOLDER w/ SLOT
4	9430003	WASHER - 5/8" NYLON ROUND [2.EA]	34	3325002	>DISK - ROD HOLDER
5	0220477	DEPTH COUNTER - 3 DIGIT	35	9040310	>BOLT - HEX 5/16"-18 x 2"
6	3333003	GEAR - COUNTER, EASI-TROLL HS	36	9430160	>WASHER - STAR 5/16"
7	3397913	REEL ASSEMBLY - HIGH SPEED	37	2277002	>UNIVERSAL LINE RELEASE
8	3333004	>GEAR - REEL, HIGH SPEED	38	3992300	SWIVEL HEAD ASSEMBLY
9	3397904	▶REEL - ROUGH 5.75"	39	0267001	▶SIDE PLATE (RH)
10	1080001	SHAFT - REEL	40	0267002	▶SIDE PLATE (LH)
11	339-3412	SCREW - SET 5/16"-18 x 1" (REEL)	41	0269726	▶PULLY - SWIVEL HEAD
12	3775396	SPOOL CABLE SS [200.FT]	42	3397300	▶WASHER - .735 OD X .36 ID
13	9100070	CABLE LEADER SLEEVE	43	9010070	▶HDW BEARING BRASS[2.EA]
14	0467695	BRAKE PLATE - REEL	44	3316001	CAP - BOOM END
15	1264670	CLUTCH PAD	45	9370002	SCREW - #8-32 SELF TAPPING
16	0467694	BRAKE PLATE - RATCHET	46	2998901	TAB LOCK MOUNTING BASE
17	1000904	SHAFT - RATCHET	47	3307003	BASE - TAB LOCK, NO TAB (LEXAN)
18	9010310	WASHER - THRUST [2.EA]	48	3391001	LOCKING TAB
19	9010280	BEARING - THRUST	49	2994894	*BAG ASSEMBLY, MOUNTING (KIT #4)
20	9400040	SPRING - HAND CRANK	50	2263102	NUT - HEX 1/4"-20 [4.EA]
21	0422004	CRANK HANDLE, EASI-TROLL	51	2371712	WASHER - 9/32" FLAT [4.EA]
22	1021480	CLUTCH COVER	52	9100100	TERMINATOR
23	9400070	SPRING - DOG RATCHET	53	9100101	TERMINATOR CUSHION
24	9100160	DOG - RATCHET	54	9100620	TERMINATOR SNAP & SWIVEL
25	9370220	SCREW - #10 x 1-1/4" FH TYPE A [4.EA]	55	9280713	BOLT - TRUSS 1/4" - 20 x 1-1/2" [4.EA]
26	9100721	RED THREAD CAP	56	9280725	BOLT - TRUSS 1/4" - 20 x 2-1/2" [4.EA]
27	339-5631	DECAL - CANNON SMALL (BLACK)	57	9370010	SCREW - #4 x 1/2" PPH [3.EA]
28	339-5630	DECAL - CANNON LARGE (BLACK)	58	9950357	WASHER - LOCK 1/4" SPLIT [4.EA]
29	2477001	BAG ASSY - SINGLE ROD HOLDER	59	3310002	24" BOOM - COPOLYMER
30	0290796	>TUBE - ROD HOLDER			

> PART OF ASSEMBLY

▶ ITEM CANNOT BE SOLD SEPARATELY

\* PARTS USED BUT NOT SHOWN