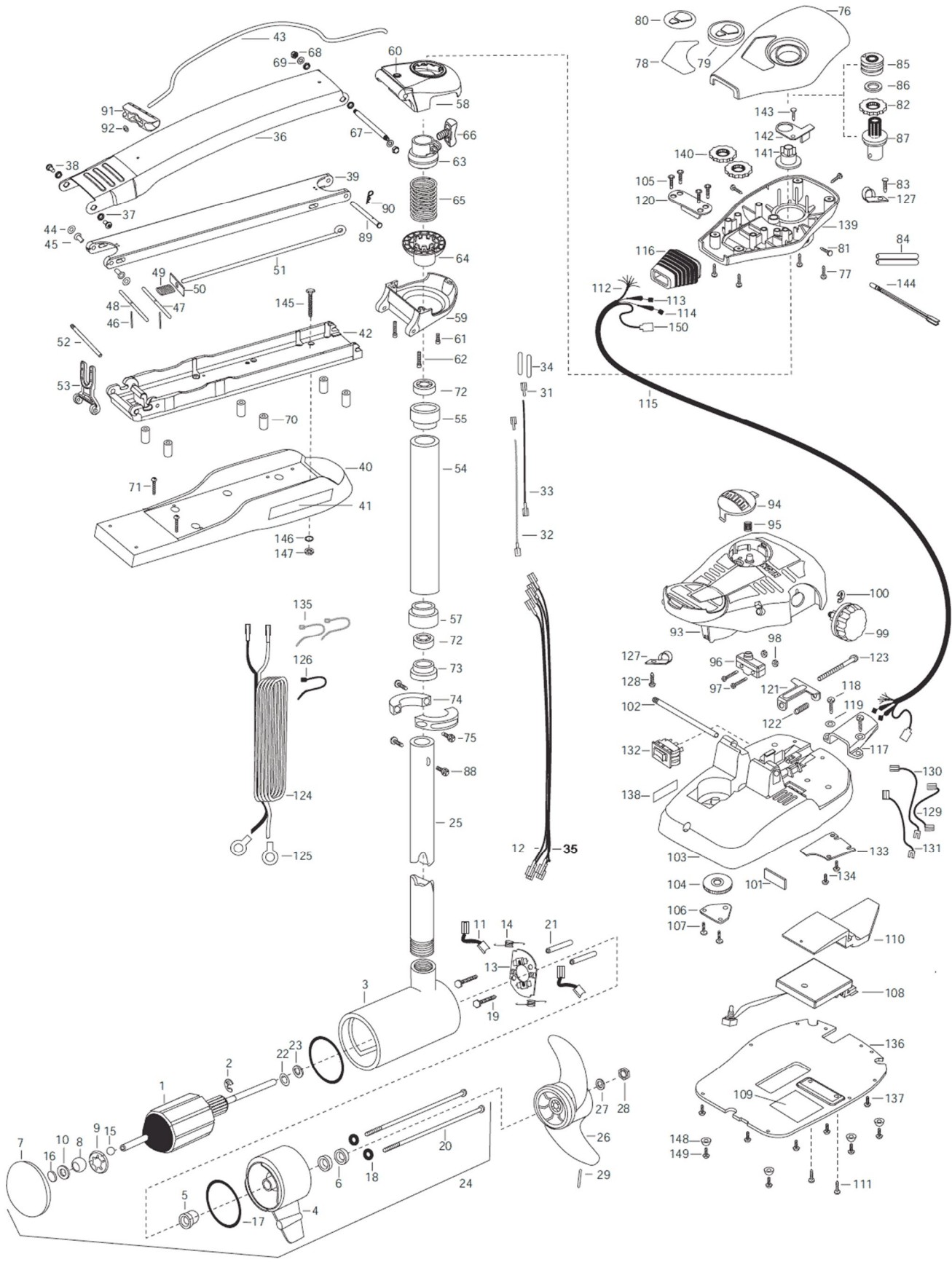


Minn Kota Maxxum 74 62" with Sonar



Wiring Diagram

MAXXUM 74 Wiring Diagram

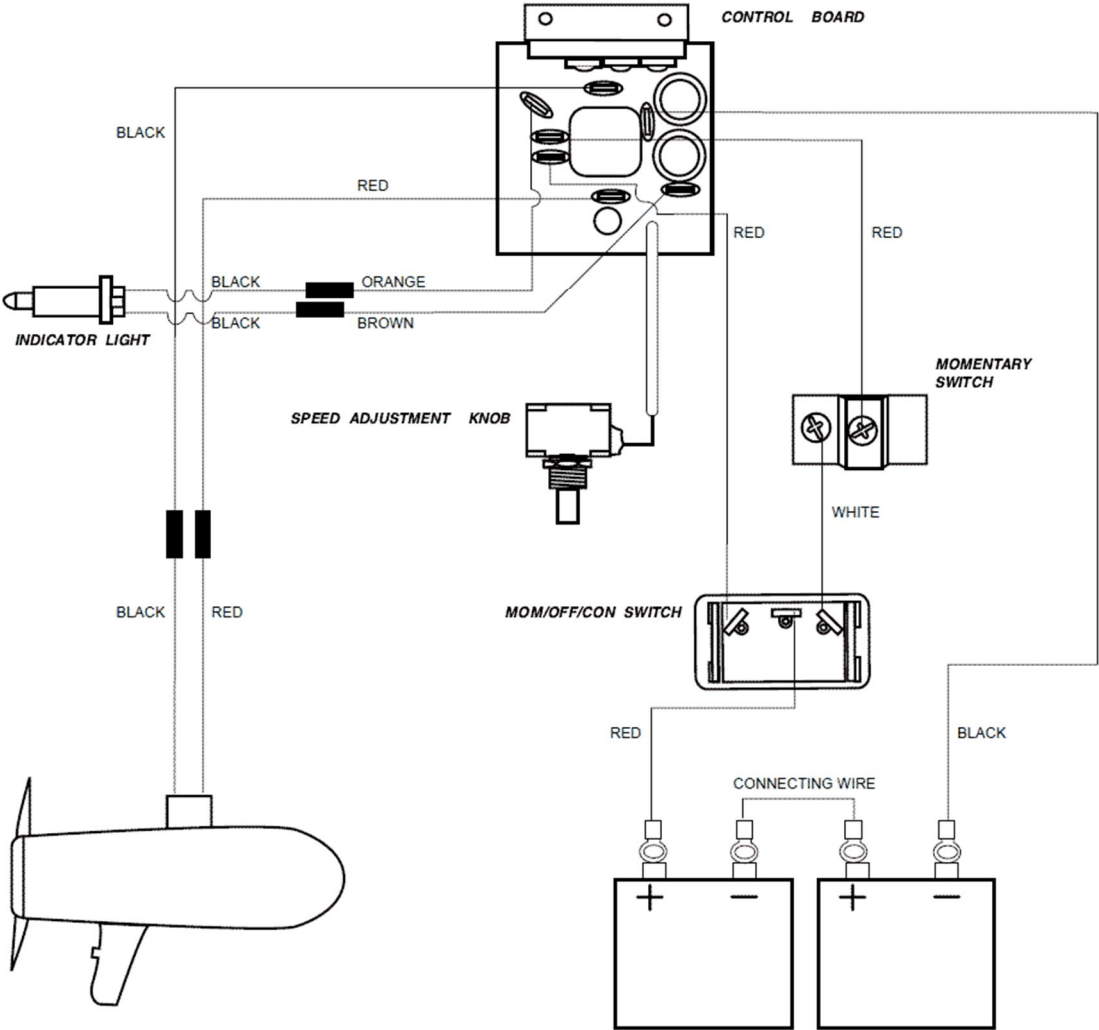


Diagram # Product Info

- 1 [ARM ASSY 24V 4" - 2-100-103](#)
- 2 [RETAINING RING - 788-040](#)
- 3 [CENTER HOUSING ASSY - 92-200-160](#)
- 4 [BRUSH END HOUSING ASSY - 92-300-160](#)
- 5 [BEARING - FLANGE - 144-017](#)
- 6 [SEAL - 880-025](#)
- 7 [Minn Kota Trolling Motor Part Not Available](#)
- 8 [BEARING - SPHERICAL - 144-021](#)
- 9 [BEARING RETAINER - 784-025](#)
- 10 [Minn Kota Trolling Motor Part Not Available](#)
- 11 [BRUSH W/TERMINAL - 188-094](#)
- 12 [LEAD WIRE BLACK 10AWG XLP - 640-017](#)
- 13 [BRUSH PLATE ASSY - 9-738-004](#)
- 14 [SPRING - TORSION - 975-041](#)
- 15 [BALL - STEEL 116-025](#)
- 16 [THRUST DISC - METAL - 303-043](#)
- 17 [O-RING - 701-043](#)
- 18 [O-RING - 701-009](#)
- 19 [SCREW - SELF-THREAD 10-32X2.25 - 830-027](#)
- 20 [THRU BOLT 12-24 X10.31 - 830-094](#)
- 21 [SPACER - BRUSHPLATE - 973-025](#)
- 22 [WASHER - STEEL THRUST - 990-051](#)
- 23 [WASHER - NYLATRON - 990-052](#)
- 24 [MTR ASY US 24V 4" VS w/PRP KIT - 2886218](#)
- 25 [TUBE COMP 62"/CLAMP COLLAR KIT - 2772007](#)
- 26 [Minn Kota Weedless Wedge Propeller 2331120 / MKP-8 / 1378129 / 1865007](#)
- 27 [WASHER-PROP \(LARGE\) MAX101 - 2091701](#)
- 28 [NUT-PROP.NYLOC \(LARGE\) MAX101 - 2093101](#)
- 29 [PIN-DRIVE \(95-4HP'S\) \(SS\) - 2092600](#)
- 30 [LEAD WIRE RED 10AWG 62 1/2 - 640-121](#)

31	<u>CONNECTOR BUTT-- - 2030710</u>
32	<u>WIRE EXTENSION-18"-RED - 2030317</u>
33	<u>WIRE EXTENSION-18"-BLACK - 2030316</u>
34	<u>SHRINK TUBE-1/4OD X 1-3/4 - 2375400</u>
36	<u>ARM-UPPER LNG. FW. TXT - 2264246</u>
37	<u>BUSHING, STAINLESS STEEL - 2293501</u>
38	<u>BOLT, SHOULDER (MAXXUM) - 2263500</u>
39	<u>ARM-LOWER ASSY FW LNG. - 2774317</u>
40	<u>MOTOR REST LNG MAXXUM BLK - 2263918</u>
41	<u>DECAL-MAXXUM,MOTOR REST - 2265514</u>
42	<u>BOWPLATE/INSERT ASSY, LG. FW. TXT - 2773986</u>
43	<u>ROPE W/WASHER(40")MX MT - 2881601</u>
44	<u>WASHER - 2261708</u>
45	<u>BUSHING, FLANGE 5/16 5L7-F-64 - 2267318</u>
46	<u>SPRING-PIN - 2152612</u>
47	<u>LOCK BAR - 2233620</u>
48	<u>LOCK BAR - 2233622</u>
49	<u>SPRING-(LOCKBAR) CAD.PLTD - 2152700</u>
50	<u>SPRING STOP - 2262703</u>
51	<u>EYE SHAFT - 2 LOCKBAR LG - PLTD - 2153604</u>
52	<u>HINGE-PIN (HEADLESS)ZINC - 2260506</u>
53	<u>YOKE.MAX MNT-POLYPROPYLENE - 2293811</u>
54	<u>TUBE W/BEARING RACE ASSY - 2772017</u>
55	<u>BEARING RACE-(565T) - 2266260</u>
57	<u>BEARING RACE-STEEL - 2266220</u>
58	<u>BRKT BTTM/BEARING FW ASY,S - 2771994</u>
59	<u>Minn Kota Trolling Motor Part Not Available</u>
60	<u>ROPE GUIDE/JAM NUT KIT - 2772352</u>
61	<u>SCREW 1/4-20 X 3/4"(ZINC - 2263402</u>
62	<u>Minn Kota Trolling Motor Part Not Available</u>
63	<u>TUBE INSERT/SPRING SLEEVE ASSY - 2884701</u>
64	<u>TUBE INSERT/SPRING SLEEVE ASSY - 2884701</u>

65	<u>SPRING, BOWGUARD, F/C, PAINTED - 2262712</u>
66	<u>SCREW-COLLAR/NEW KNOB - 2011365</u>
67	<u>PIN-BOWGUARD, UPPER, THREADED - 2262605</u>
68	<u>NUT - 2223100</u>
69	<u>WASHER-FLAT - 2261722</u>
70	<u>SPACER, MOTOR REST - 2261505</u>
71	<u>SCREW, 8-18 X 1" PPH S/S - 2263434</u>
72	<u>BEARING BALL-STEEL - 2266000</u>
73	<u>BEARING CONE - 2266115</u>
74	<u>Minn Kota Trolling Motor Part Not Available</u>
75	<u>SCREW-1/4-20 X 1" SHCS S/S - 2263453</u>
76	<u>CONTROL BOX COVER-MAXXUM - 2260283</u>
77	<u>SCREW-8-18 X 5/8 THD* (SS - 2372100</u>
78	<u>DECAL - GENERIC - 2265627</u>
79	<u>POINTER DISC TRNSLCNT RED - 2260150</u>
80	<u>DECAL-INDICATOR - 2265800</u>
81	<u>SCREW-8-32 X 1/2 TRI-LOBE PPH 2053414</u>
82	<u>GEAR-INDICATOR - 2267800</u>
83	<u>SCREW-8-18 X 1/2 (SS)* - 2301310</u>
84	<u>SHRINK TUBE-3/8 OD X 2" - 2355410</u>
85	<u>PULLEY-CABLE DRUM - 2232360</u>
86	<u>WASHER-NYLON A/T CON B - 2261730</u>
87	<u>TOP BEARING RACE/PINION - 2996246</u>
88	<u>SCREW-8-32 X 5/16(ZN PL) - 2263410</u>
89	<u>PIN-CLEVIS - 2262607</u>
90	<u>CLIP-HAIR SPRING,ZP,MAX BG - 2260805</u>
91	<u>PULL-GRIP (RAW) - 2150400</u>
92	<u>WASHER-EYE SHAFT(.562 OD) 2151700</u>
93	<u>FOOT PEDAL W/PLUG SERVICE - 2774496</u>
94	<u>PUSH-BTTN FT PED W/MAGNET CAVITY - 2263702</u>
95	<u>SPRING-LOWER PEDAL S/S - 2302732</u>
96	<u>SWITCH MOMENTARY - 2264040</u>

97	<u>SCREW-MOUNTING/SWITCH - 2262114</u>
98	<u>NUT-SWITCH MOUNT - 2233100</u>
99	<u>KNOB-SPEED CTRL.VARS SPD - 2280115</u>
100	<u>E-RING TRU-ARC - 2263000</u>
101	<u>TENSION SCREW - 2266413</u>
102	<u>PIN-PIVOT A/T FT PDL - 2260511</u>
103	<u>FOOT PEDAL BASE ASSY - 2774550</u>
104	<u>PULLEY (FOOT PEDAL) - 2262301</u>
105	<u>SCREW - 2223430</u>
106	<u>COVER-PULLEY (STAMPING) - 2266401</u>
107	<u>SCREW-8-18 X 1/2 (SS)* - 2301310</u>
108	<u>CTRL BRD/BTM PLATE.MAX 24/36V - 2884052</u>
109	<u>INSULATING PAD (2.3 X 3.2) - 2365107</u>
110	<u>Minn Kota Trolling Motor Part Not Available</u>
111	<u>SCREW, 8-32 X 1" - 2263447</u>
112	<u>WIRE HARNESS - 2261219</u>
113	<u>CABLE ASSY-RIGHT (5') BAGGED - 2887500</u>
114	<u>CABLE ASSY-LEFT (5') BAGGED - 2887510</u>
115	<u>CABLE JACKET (5') - 2265430</u>
116	<u>BOOT-CONTROL BOX - 2265110</u>
117	<u>BOOT-FOOT PEDAL BASE - 2265115</u>
118	<u>SCREW-8-18 X 5/8 THD* (SS - 2372100</u>
119	<u>WASHER-MAXXUM FT PDL 18/8 SS - 2261714</u>
120	<u>BRACKET-CONDUIT - 2261901</u>
121	<u>BRACKET-CONDUIT ADJUSTMEN - 2263210</u>
122	<u>SPRING-CONDUIT AD - 2262720</u>
123	<u>SCREW 1/4-20 x 2" ZINC PLATED SS - 2263466</u>
124	<u>Minn Kota Trolling Motor Part Not Available</u>
125	<u>Minn Kota Trolling Motor Part Not Available</u>
126	<u>TIE WRAP-5.5" BLACK - 2256300</u>
127	<u>CLAMP WIRE HARNESS MICRO - 2263201</u>
128	<u>SCREW-6-20 X 3/8 THD*(SS) - 2332103</u>

129	<u>CONNECTING WIRE (VAR.SPД) - 2260316</u>
130	<u>WIRE.BLK W/WHT STRP 19 1/4" - 2260312</u>
131	<u>WIRE.BLK W/GRN STP VARIABLE - 2260323</u>
132	<u>SWITCH-MOM/OFF/COM - 2254031</u>
133	<u>SWITCH PLATE. FT PEDAL - 2266412</u>
134	<u>SCREW-6-20 X 3/8 THD*(SS) - 2332103</u>
135	<u>TIE WRAP-5.5" BLACK - 2256300</u>
136	<u>BOTTOM PLATE/INSULATING PAD KIT - 2774512</u>
137	<u>SCREW-8-18 X 5/8 THD* (SS - 2372100</u>
138	<u>DECAL-ON/OFF SWITCH - 2266610</u>
139	<u>CONTROL BOX - 2262535</u>
140	<u>GEAR-INDICATOR - 2267800</u>
141	<u>INDICATOR-DRIVE - 2262220</u>
142	<u>BRACKET/INDICATOR - 2261905</u>
143	<u>SCREW-8-18 X 1/2 (SS)* - 2301310</u>
144	<u>LIGHT/INDICATOR - 2264015</u>
145	<u>BAG ASSY-MAXXUM - 2994830</u>
146	<u>WASHER-1/4 FLAT S/S - 2261713</u>
147	<u>NUT 1/4-20 NYLOC - 2263103</u>
148	<u>BUMPER PAD. FOOT PEDAL - 2265126</u>
149	<u>SCREW 12-14X1/2 THR FRM - 2263455</u>
150	<u>CABLE EXTENSION US1 175" - 2211400</u>