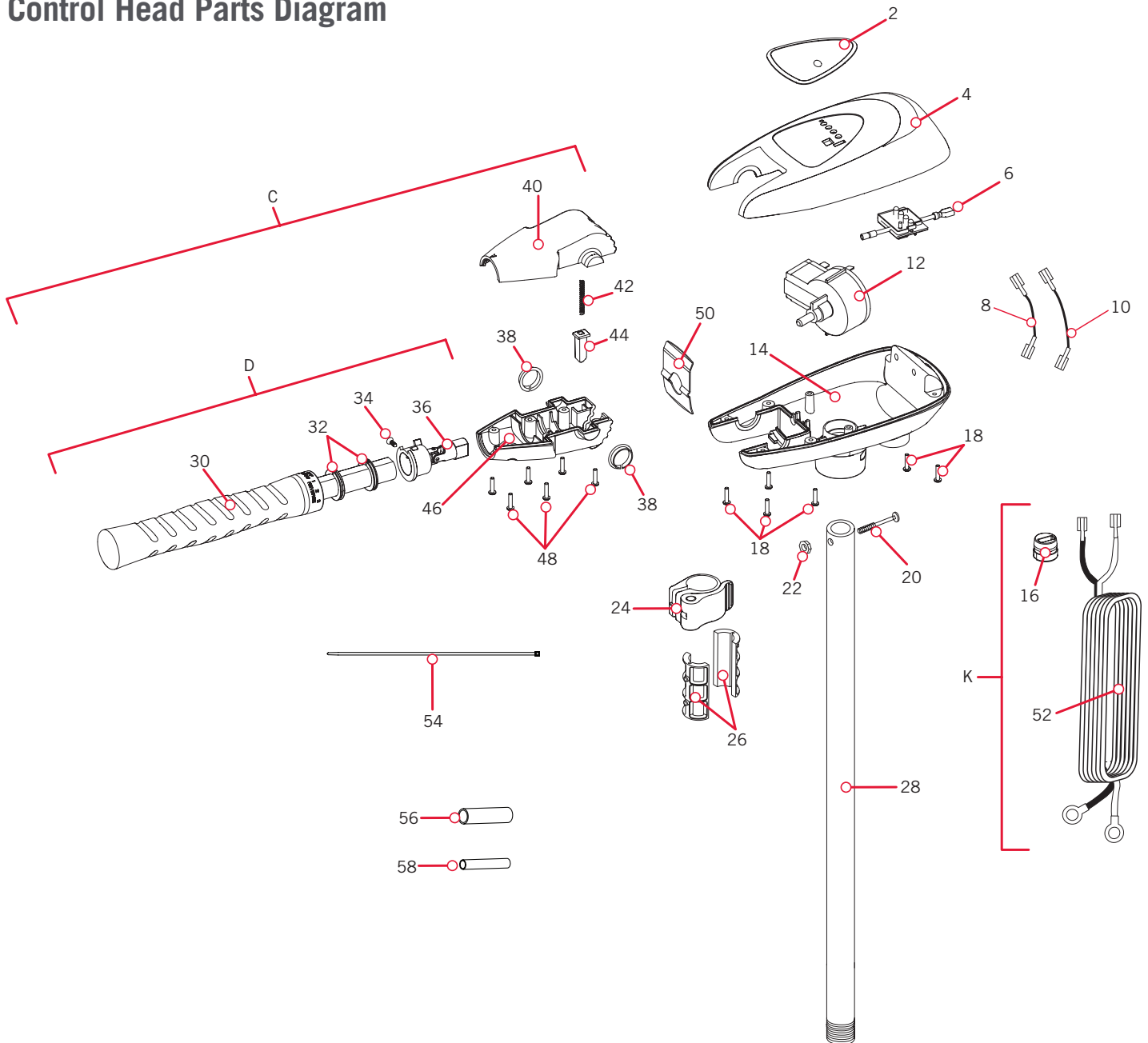


PARTS DIAGRAM & PARTS LIST

RIPTIDE MAXXUM 55/SC LATCH & DOOR - 55 LBS THRUST - 12 VOLT - 42"/52" SHAFT

RIPTIDE MAXXUM 55 CONTROL HEAD >

> Control Head Parts Diagram



PARTS DIAGRAM & PARTS LIST

Control Head Parts List

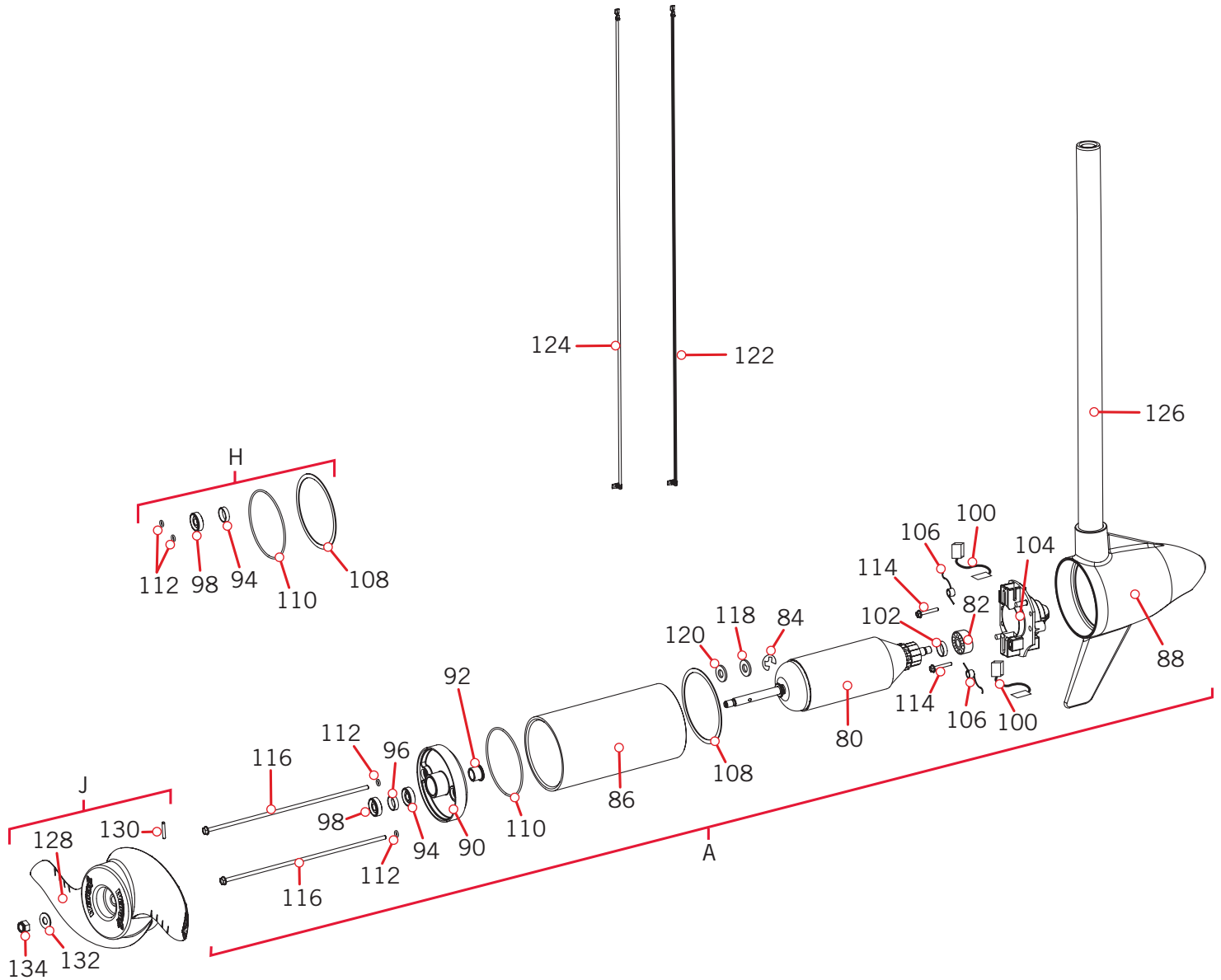
Assembly	Part #	Description	Notes	Quantity
C	2990467	HANDLE ASM, 5-3 SPD, FW/SW		1
D	2990465	HANDLE ASM, 5-3 SPEED, TRAXXIS		1
K	2992522	LEADWIRE ASSY-HC BOW S/C 96"		1
Item	Part #	Description	Notes	Quantity
2	2195664	DECAL-COVER, RT55/SM/SC/HC		1
4	2060299	COVER CONTROL BOX TRAXXIS SW		1
6	2074080	BATTERY METER, 12V, SW		1
8	2070304	WIRE,BATTERY METER,BLK 7" 20GA		1
10	2070305	WIRE,BATTERY METER,RED 7" 20GA		1
12	2064028	SWITCH,5 SPD FORWARD,3 REVERSE		1
14	2062506	CONTROL BOX, SC, SW		1
16	2062905	STRAIN RELIEF,HEYCO 1876		1
18	2303412	SCREW-#6-20 X 5/8 SELF TAP		6
20	2033403	SCREW-#10-24 X 1-3/4 PPH SS		1
22	2333101	NUT-HEX #10-24 UNC-2B NYL SS		1
24	2991521	CAM LOCK/DEPTH COLLAR ASY		1
26	2151532	HINGE-SLEEVE HALF-AT		2
28	2002013	TUBE (COMP) 43.75" BWMNT WHT	*42**	1
	2002014	TUBE (COMPOSITE) 52" WHITE	*52**	1
30	2060465	GRIP-HANDLE, RAW, TRAXXIS		1
32	2060015	BEARING, HANDLE 2990455		2
34	2063405	SCREW-#6 X 1/2" PFH SS TY AB		1
36	2994091	YOKE ASSEMBLY,5-SPEED		1
38	2060005	BEARING-HANDLE PIVOT		2
40	2060900	PIVOT HANDLE, TOP		1
42	2302745	SPRING-RELEASE BUTTON (SS		1
44	2063700	BUTTON-RELEASE		1
46	2060905	PIVOT HANDLE, BTM		1
48	2303412	SCREW-#6-20 X 5/8 SELF TAP		6
50	2062715	SPRING, DETENT, HANDLE TILT		1
52	2090653	LEADWIRE (10 GA) TRAXXIS/HC		1
54	2186300	TIE WRAP,11.5",TEMP -40 TO 180		1
56	2305415	SHRINK TUBE-.472 ID X 2.25"		1
58	2305410	SHRINK TUBE-.315 OD X 2.25"		1
▲	2197117	MANUAL-RT/SM		1
▲	2194949	PARTS LIST-RT55/SM/SC/L&D		1
▲	2015800	HANG TAG "CAUTION..TILT HINGE"		1

▲ Not shown on Parts Diagram.

* This part is included in an assembly and cannot be ordered individually.

RIPTIDE MAXXUM 55 MOTOR

Motor Parts Diagram



PARTS DIAGRAM & PARTS LIST

Motor Parts List

Assembly	Part #	Description	Notes	Quantity
A	2097071	MTR ASY 12V 3.62 SC 55# SW		1
H	2888460	SEAL & O-RING KIT TURBO PRO		2
J	1378131	PROP IND 2091160 WDL5 WDG II		1
Item	Part #	Description	Notes	Quantity
80	2-100-117	ARM ASY 12V 3.62 55#2.88"		1
82	140-010	BEARING - BALL		1
84	788-015	RETAINING RING		1
86	2-200-302	CTR HSG ASM 3.6" SW MAGNETIZED		1
88	2-300-337M	BRUSH END ASY 12V 3.625 SC		1
90	2-400-337	PLAIN END HSG ASY 3.6 TX/W		1
92	144-049	BEARING - FLANGE		1
94	880-003	SEAL		1
96	725-035	PAPER TUBE - SEAL BORE		1
98	880-006	SEAL WITH SHIELD		1
100	188-036	BRUSH ASSEMBLY 3.625		2
102	725-050	PAPER TUBE - BRUSH RETENTION		1
104	738-036	BRUSH PLATE WITH HOLDER 3.625		1
106	975-040	SPRING - TORSION		2
108	337-036	GASKET		1
110	701-081	O-RING		1
112	701-008	O-RING	*THRU-BOLT*	2
114	830-007	SCREW, # 8-32		2
116	830-042	THRU BOLT 10-32 X 8.83		2
118	990-067	WASHER - STEEL THRUST		1
120	990-070	WASHER - NYLATRON		1
122	640-006M	LEADWIRE BLK 10 AWG 61 3/4 GPT		1
124	640-115M	LEADWIRE RED 10 AWG 63 3/4 GPT		1
126	2002013	TUBE (COMP) 43.75" BWMNT WHT	*42"	1
	2002014	TUBE (COMPOSITE) 52" WHITE	*52"	1
128	2091160	PROP-WW2 (3 5/8") REAMED		1
130	2092600	PIN-DRIVE 1.06" LG (SS)		1
132	2151726	WASHER-5/16 STD (S/S)		1
134	2053101	NUT-PROP,NYLOC (MED) 5/16 SS		1

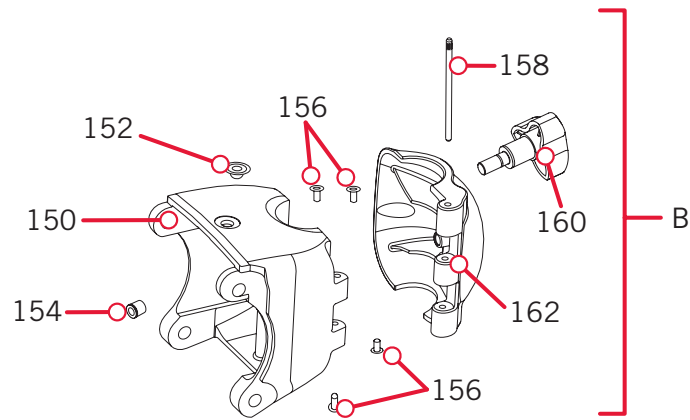
▲ Not shown on Parts Diagram.

* This part is included in an assembly and cannot be ordered individually.



RIPTIDE MAXXUM 55 HINGE BASE >

> Hinge Base Parts Diagram



PARTS DIAGRAM & PARTS LIST



› Hinge Base Parts List

Assembly	Part #	Description	Quantity
B	2991808	HINGE BASE ASSY,SW,WHT	1
Item	Part #	Description	Quantity
150	2991782	HINGE BASE W/BUSHINGS SW	1
152	2262315	EYELET-ROPE,STAINLESS STEEL	1
154	2264706	INSERT-HINGE BASE(STD MT)	1
156	2236001	BEARING NYLINER ID .188 X .220	4
158	2262642	PIN-HINGE DOOR, RT HNG/DOOR	1
160	2260902	KNOB-SOFT GRIP	1
162	2261859	HINGE DOOR, SW TXT WHITE	1

▲ Not shown on Parts Diagram.

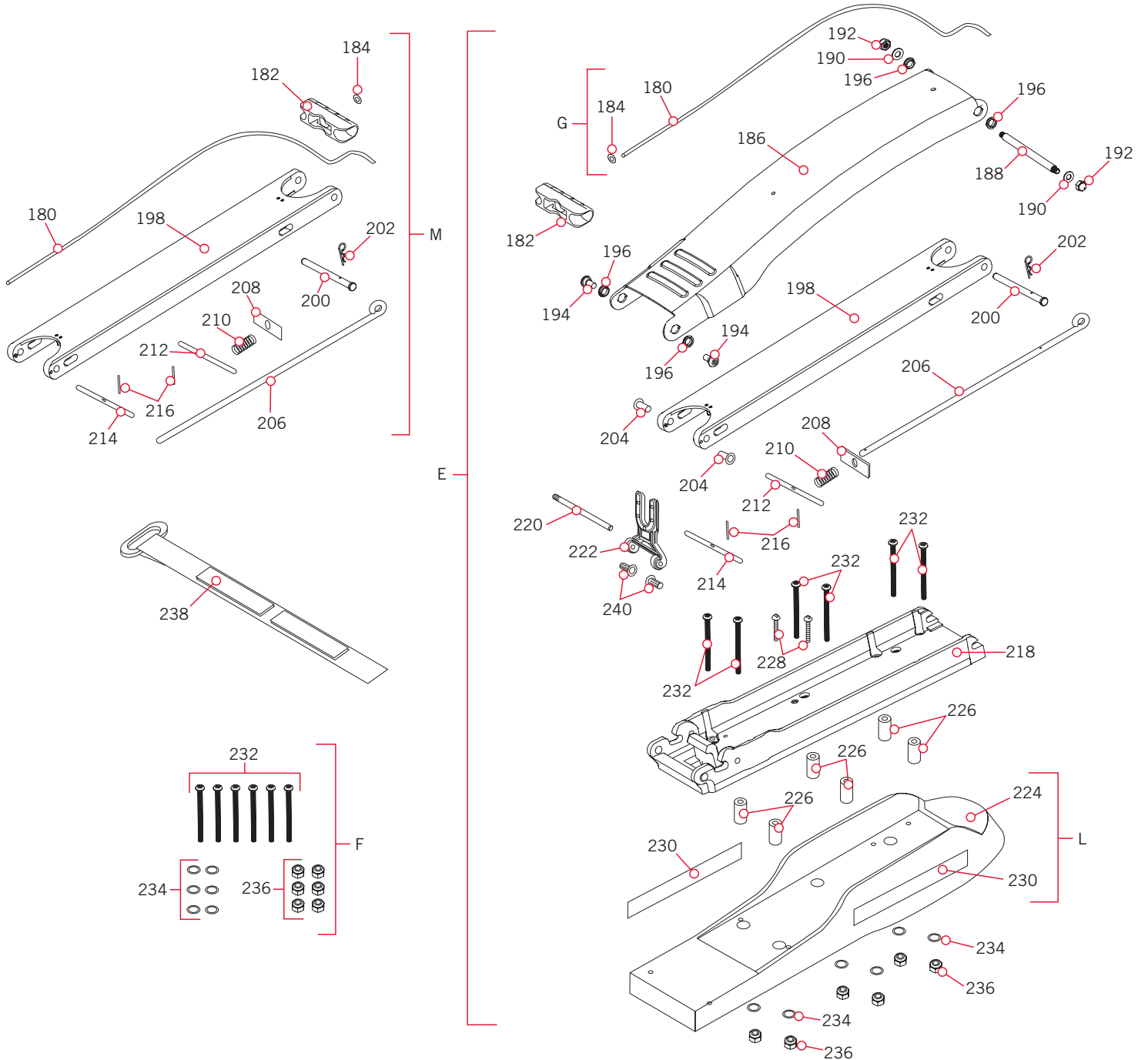
✘ This part is included in an assembly and cannot be ordered individually.



PARTS DIAGRAM & PARTS LIST

RIPTIDE MAXXUM 55 MOUNT

Mount Parts Diagram



PARTS DIAGRAM & PARTS LIST

Mount Parts List

Assembly	Part #	Description	Notes	Quantity
E	2991660	MNT ASM MAXXUM SW STD		1
F	2994830	BAG ASSY-MAXXUM		1
G	2994886	BAG ASSY, PULL GRIP/WASHER		1
L	2999280	MTR REST ASM MAXXUM SW STD		1
M	2774322	ARM-LOWER ASY,STD,SW,WHT,SERV.		1
Item	Part #	Description	Notes	Quantity
180	2251601	ROPE (44.5"), MAXXUM MNT		1
182	2150400	PULL-GRIP		1
184	2151700	WASHER-EYE SHAFT(.562 OD) SS		1
186	2264244	ARM-UPPER STD,SW,TX,WHT,ALUM.		1
188	2262604	PIN-BWGRD,UPPER,THREADED,SS		1
190	2261722	WASHER-FLAT 5/16 S/S		2
192	2223100	NUT-5/16-18 NYLOCK S/S		2
194	2263500	BOLT, SHOULDER (MAXXUM)		2
196	2293501	BUSHING, STAINLESS STEEL		4
198	2994351	ARM-LOWER ASSY,STD,SW		1
200	2262622	PIN-CLEVIS,SS,MAXXUM BWGRD		1
202	2263011	E-RING 3/8 DIA. SHAFT*		1
204	2267318	BUSHING,FLANGE,5/16 #5L7-F-642		2
206	2153603	EYE SHAFT-2LOCKBAR STD SS		1
208	2262703	SPRING STOP MAXXUM		1
210	2152701	SPRING-(LOCKBAR) SS		1
212	2233621	LOCK BAR (300 SERIES SS)		1
214	2233623	LOCK BAR, REAR, 300 SERIES SS		1
216	2152612	SPRING-PIN (LOCKBAR) 18-8 SS		2
218	2993983	BWPLT/INSRT ASY,STD,SW-WHT		1
220	2260505	PIN-HINGE(HEADLESS) S/S		1
222	2293811	YOKE,MAX MNT-POLYPROPYLENE		1
224	2263917	MOTOR REST STD RIPTIDE WHT		1
226	2261505	SPACER, MOTOR REST		6
228	2263434	SCREW-#8-18 X 1" PPH S/S		2
230	2265708	DECAL, MOTOR REST RT MAXXUM SW		2
232	2263431	SCREW-1/4-20 X 3.5 PPH		6
234	2261713	WASHER-1/4 FLAT 18-8 SS		6
236	2263103	NUT-1/4-20 NYLOCK SS		6
238	2263804	STRAP-HOLD DWN,30.5", HOOK AND LOOP	*52**	1

▲ Not shown on Parts Diagram.

* This part is included in an assembly and cannot be ordered individually.

PARTS DIAGRAM & PARTS LIST



Item	Part #	Description	Notes	Quantity
240	2261540	INSERT-THREADED,BOWPLT,MAX		2
▲	2285801	HANG TAG, HOOK AND LOOP STRAP	*52"*	1
▲	2006819	LABEL-CARTON "CAUTION HEAVY"		1
▲	2015801	HANG TAG-PINK "CAUTION..HG/DR"		1

▲ Not shown on Parts Diagram.

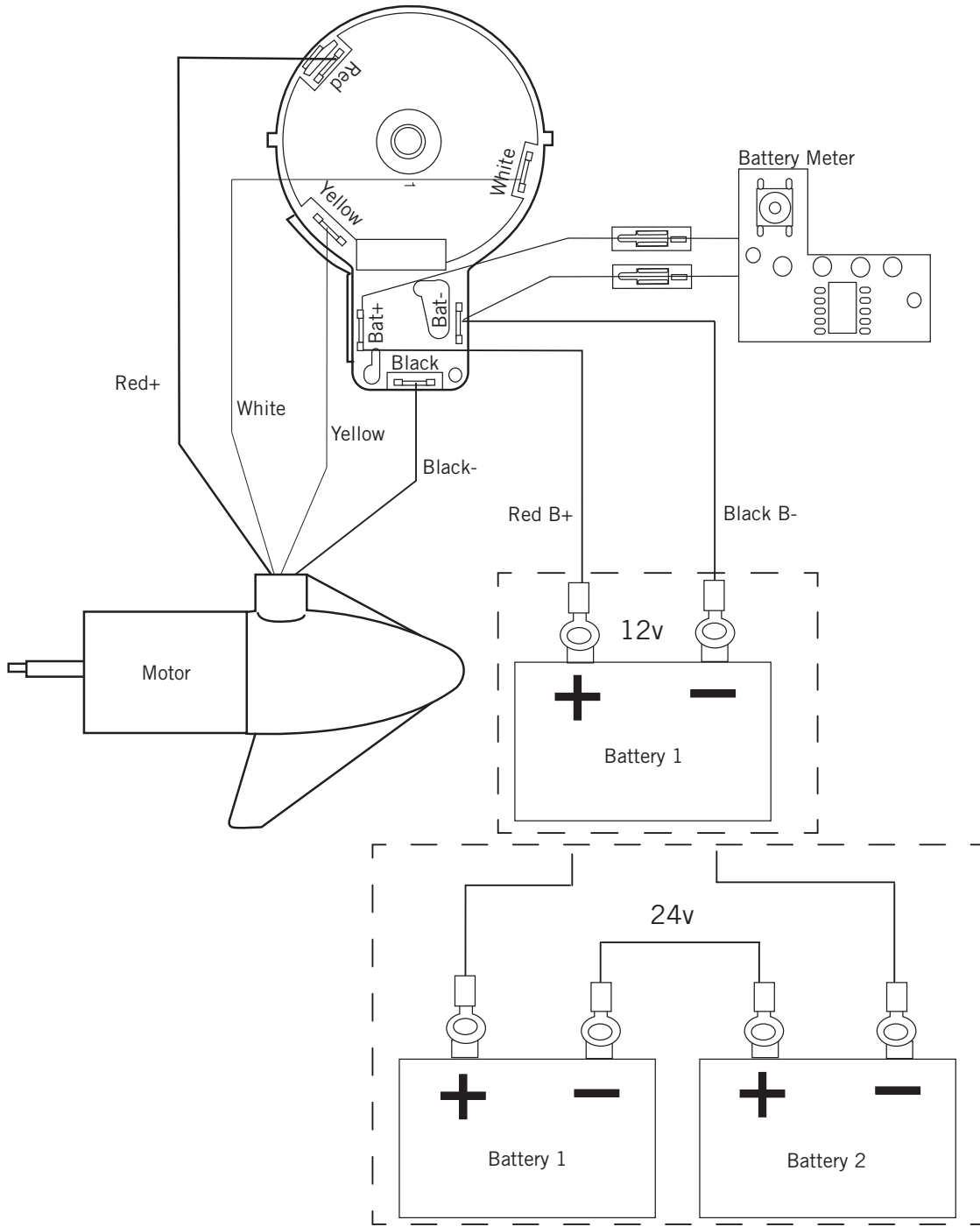
* This part is included in an assembly and cannot be ordered individually.



MOTOR WIRING DIAGRAM

RIPTIDE MAXXUM 5-SPEED SWITCH

The following Motor Wiring Diagram applies to all Riptide Maxxum Foot Control models that come factory installed with a Five-Speed Switch.



NOTICE: This is a multi-voltage diagram. Double-check your motor's voltage for proper connections. Over-Current Protection Devices are not shown in this illustration.