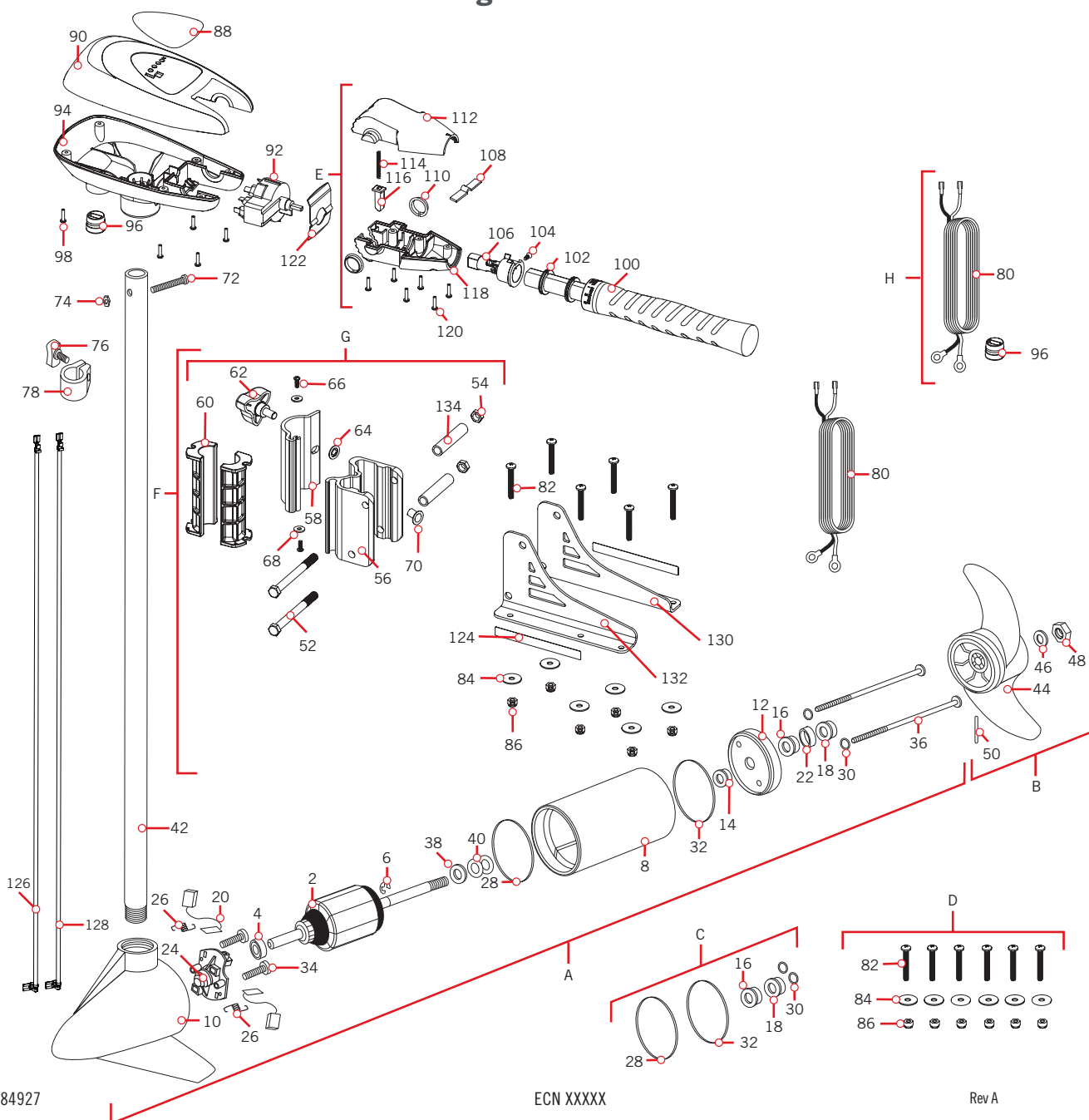


# PONTOON HAND CONTROL - 70 LBS THRUST - 24 VOLT - 52" SHAFT

The parts diagram and parts list provides Minn Kota® WEEE compliance disassembly instructions. For more information about where you should dispose of your waste equipment for recycling and recovery and/or your European Union member state requirements, please contact your dealer or distributor from which your product was purchased. Tools required, but not limited to: flat head screwdriver, Phillips screwdriver, socket set, pliers, wire cutters.

## PONTOON HAND CONTROL 70

### Pontoon Hand Control 70 Parts Diagram



## ► Pontoon Hand Control 70 Parts List

Assembly	Part #	Description	Quantity
A	2096065	MTR ASY 24V 362	1
B	1378131	PROPELLER KIT 3.625	1
C	2888460	SEAL & O-RING KIT 3.625	1
D	2994838	BAG ASSEMBLY - BOLTS NUTS WASHERS	1
E	2990467	HANDLE ASM, 5-3 SPD FW/SW	1
F	2991645	PONTOON BRACKET	1
G	2991829	HINGE DOOR KNOB ASSEMBLY	1
H	2992527	LEADWIRE ASSEMBLY EDGE /HC	1
Item	Part #	Description	Quantity
2	2-100-128	ARMATURE ASM 24V 3.62", 70	1
4	140-010	BALL BEARING	1
6	788-015	RETAINING RING	1
8	2-200-005	CTR HSG ASY 3.6 FW	1
10	2-300-139	BRUSH END ASY 24V 3.625	1
12	2-400-101	PLAIN END HOUSING ASSEMBLY 3.625	1
14	144-049	BEARING	1
16	880-003	SEAL	1
18	800-006	SEAL W/SHIELD	1
20	188-038	BRUSH ASSEMBLY, 3.625, 70#	2
22	725-049	TUBE - BRUSH RETENTION	1
24	738-038	BRUSH PLATE, 3.625 70#	1
26	975-042	SPRING TORSION, 70# LOWER UNIT	2
28	337-036	GASKET	1
30	701-008	O-RING THRU BOLT	2
32	701-081	O-RING	1
34	830-007	#8-32 SCREW	2
36	830-008	THRU BOLT 10-32 x 9.205	2
38	990-067	WASHER, STEEL THRUST	1
40	990-070	WASHER, NYLATRON	2
42	2032068	COMPOSITE TUBE	1
44	2091160	PROPELLER	1
46	2151726	WASHER, 5/16 SS	1
48	2053101	NUT, PROP NYLOC	1
50	2092600	PIN, DRIVE	1
52	2263511	BOLT 3/8-16 X 4/25"	1
54	2263114	NUT - NYLOCK JAM 3/8-16	1
56	2261892	HINGE BASE, FW	1

▲ Not shown on Parts Diagram.

\* This part is included in an assembly and cannot be ordered individually.

Item	Part #	Description	Quantity
58	2261897	HINGE DOOR, FW	1
60	2261537	HINGE SLEEVE	2
62	2260905	HANDLE - SOFT GRIP, L&D	1
64	2261728	WASHER - RETAINING 3/8"	1
66	2053415	SCREW - #8-32 X 3/8" TRI	2
68	2261732	WASHER #8, NYLON	2
70	2264703	INSERT - THREADED	1
72	2033400	SCREW - 10-24 X 1-3/4	1
74	2013110	NUT - 10-24 HEX (ZCP)	1
76	2011365	SCREW - COLLAR/NEW KNOB	1
78	2031520	COLLAR - DEPTH W/O INSERT	1
80	2992521	LEADWIRE - 10 GA RINGS	1
82	2263462	SCREW - 1/4-20X2 SS	6
84	2261713	WASHER - 1/4 FLAT 18-18	6
86	2263103	NUT - 1/4-20 NYLOC-JAM	6
88	2265786	DECAL, COVER EDGE 70/HC	1
90	2060298	COVER, CONTROL BOX, TRAXXIS FW	1
92	2064028	SWITCH 5 SPEED	1
94	2062505	CONTROL BOX, 5 SPD, FW	1
96	2062905	STRAIN RELIEF	1
98	2303412	SCREW, #6 X 5/8 SS	6
100	2990465	HANDLE ASM, 5-3 SPEED TRAXXIS	1
102	2060015	BEARING, HANDLE	2
104	2063405	SCREW, #6 PFH SS	1
106	2994091	YOKE / SPIDER ASSY, 5SPD	1
108	2062710	SPRING, EXT HDLE END	1
110	2060005	BEARING, HANDLE PIVOT	2
112	2060900	HANDLE PIVOT, TOP	1
114	2302745	SPRING, RELEASE BUTTON	1
116	2063700	BUTTON, RELEASE	1
118	2060905	HANDLE PIVOT, BOTTOM	1
120	2303412	SCREW, #6 X 5/8 SS	6
122	2062715	SPRING, HANDLE PIVOT	1
124	2265765	DECAL - MINN KOTA, PONTOON, MTR	2
126	640-006	LEADWIRE BLK 10 AWG 61 3/4 GPT	1
128	640-115	LEADWIRE RED 10 AWG 63 3/4 GPT	1
130	2261915	LEFT BRACKET	1
132	2261916	RIGHT BRACKET	1

▲ Not shown on Parts Diagram.

\* This part is included in an assembly and cannot be ordered individually.

Item	Part #	Description	Quantity
134	2261727	BRACKET SPACER	2
▲	2186300	TIE WRAP, 11.5" TEMP -40 TO 180	1
▲	2015800	HANGE TAG CAUTION TILT HINGE	1
▲	2187107	MANUAL, PONTOON/HC	1
▲	2184927	PARTS LIST EDGE/PONTOON 70	1

▲ Not shown on Parts Diagram.

✘ This part is included in an assembly and cannot be ordered individually.