

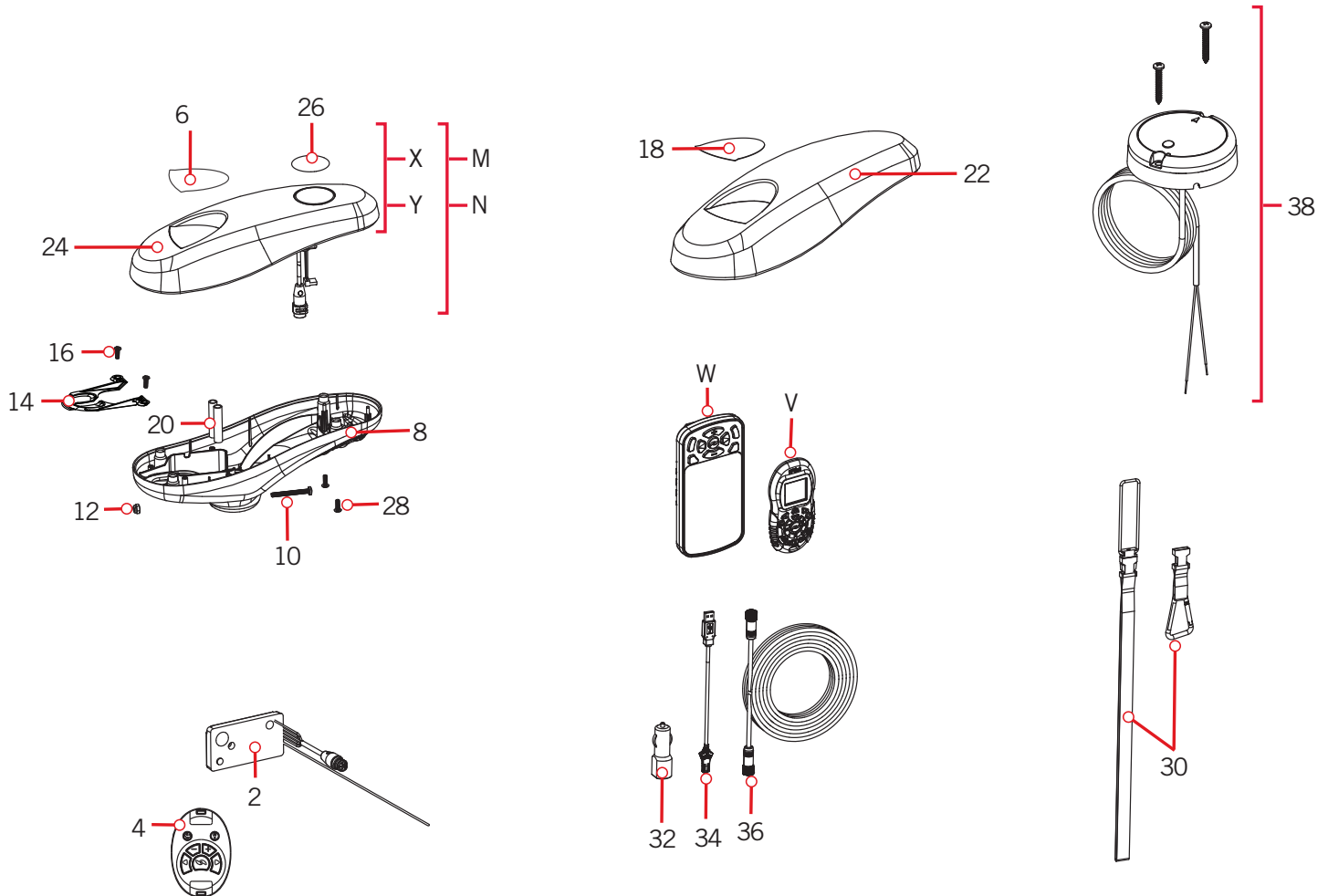
PARTS DIAGRAM & PARTS LIST

RIPTIDE TERROVA
55/80/112 LBS THRUST
12/24/36 VOLT - 50/56/54 AMPS
54"/60"/72"/87" SHAFT

| Assembly | Diagram | List |
|------------------------|---------|-------|
| Control Heads | 1 | 2-3 |
| 12v Lower Unit | 4 | 5 |
| 24v Lower Unit | 6 | 7-8 |
| 36v Lower Unit | 9 | 10-11 |
| Steering Housing 87" | 12 | 13-14 |
| Steering Housing Other | 15 | 16-18 |
| Mount | 19 | 20-22 |
| Wiring Diagram | 23/24 | |

RIPTIDE TERROVA CONTROL HEAD >

> Control Head Parts Diagram



PARTS DIAGRAM & PARTS LIST

Control Head Parts List

| Assembly | Part # | Description | Quantity |
|----------|------------|---|----------|
| M | 2774178 ◆ | MOTOR KIT, iPLT 1.6 RT TERROVA *I-PILOT RECEIVER* | 1 |
| N | 2774179 ● | MOTOR KIT, iPLT 3.0 RT TERROVA *I-PILOT LINK RECEIVER* | 1 |
| V | 2994075 ◆ | REMOTE ASSY, IPILOT 1.6 | 1 |
| W | 2994076 ● | REMOTE ASSY, IPILOT LINK *LINK ONLY* | 1 |
| X | 2770235 ◆ | COVER KIT, iPLT 1.6 RT TERROVA *I-PILOT COVER & DECALS ONLY* | 1 |
| Y | 2770236 ● | COVER KIT, iPLT 3.0 RT TERROVA *I-PILOT LINK COVER & DECALS ONLY* | 1 |
| Item | Part # | Description | Quantity |
| ▲ | ✘ | SEAL,BUNG LOWER | 1 |
| ▲ | ✘ | SEAL,BUNG UPPER,SW | 1 |
| 2 | 2994097 ● | TRANSMITTER ASY,TRRV CPLT *COPILOT* | 1 |
| 4 | 2374197 ● | PCB ASY COPLT REC. TERROVA *COPILOT* | 1 |
| 6 | 2395551 ◆● | DECAL, COVER, RT, TERROVA 55 *55LB THRUST* | 1 |
| | 2395555 ◆● | DECAL, COVER, RT, TERROVA 80 *80LB THRUST* | 1 |
| | 2325635 ◆ | DECAL, COVER, RT, TERROVA 112 *112LB THRUST* | 1 |
| ▲ | 2256300 | TIE WRAP-5.5" BLACK | 2 |
| 8 | 2292501 | CONTROL BOX, SW ST | 1 |
| 10 | 2263406 | SCREW-#10-24 X 2" SS PPH | 1 |
| 12 | 2333101 | NUT-HEX #10-24 UNC-2B NYL SS | 1 |
| 14 | 2224707 | INSERT-PLUG | 1 |
| 16 | 2372103 | SCREW. #6 x 3/8 PLASTITE | 2 |
| 18 | 2325633 ● | DECAL COVER, RT, T2 80 | 1 |
| ▲ | 9950433 | TIE WRAP-4" BLACK | 2 |
| 20 | 2305402 | SHRINK TUBE-.374 OD X 2.25" | 2 |
| 22 | 2290218 | COVER,CTRL BOX, RT PD PRINTED *COPILOT* 80LB THRUST* | 1 |
| 24 | ✘ | AS ASSEMBLY ONLY | 1 |
| 26 | 2395546 ◆ | DECAL, DOMED IPILOT SW *IPILOT* | 1 |
| | 2395548 ● | DECAL, DOMED, IPILOT LINK SW *IPILOT LINK* | 1 |
| 28 | 2372100 | SCREW-#8-18 X 5/8 THD (SS) | 7 |
| 30 | 2390800 ◆● | LANYARD, REMOTE W/ CARABINER | 1 |
| 32 | 2395900 ● | ADAPTER, USB DC POWER *LINK ONLY* | 1 |
| 34 | 2373241 ● | CABLE, USB REMOTE CHARGER *LINK ONLY* | 1 |
| 36 | 490389-1 ● | CABLE, ETHERNET, 30' * LINK ONLY* | 1 |
| 38 | 2996400 | HEADING SENSOR ASSEMBLY | 1 |
| ▲ | 2397106◆ | MANUAL, QUICK REF., IPILOT 1.6 | 1 |
| ▲ | 2397107 ● | MANUAL, QUICK REF., IPILOT LINK 3.0 | 1 |

● Only available with models factory installed with CoPilot.

◆ Only available with models factory installed with i-Pilot.

▲ Not shown on Parts Diagram.

● Only available with models factory installed with i-Pilot Link.

✘ This part is included in an assembly and cannot be ordered individually.

PARTS DIAGRAM & PARTS LIST



| Item | Part # | Description | Quantity |
|------|------------|------------------------------------|----------|
| ▲ | 2397100 ◆ | MANUAL, iPILOT 1.6 | 1 |
| ▲ | 2397102 ● | MANUAL, iPILOT LINK 3.0 | 1 |
| ▲ | 2297165 | MANUAL - DISCLAIMER, DOWNLOAD INFO | 1 |
| ▲ | 2327133 | INSTALLATION INSTRUCTIONS TERROVA | 1 |
| ▲ | 2327131 | MANUAL TERROVA BT SW | 1 |
| ▲ | 2015800 | HANG TAG "CAUTION TILT HINGE" | 1 |
| ▲ | 2394900 ◆● | INSTRUCTIONS, HEADING SENSOR | 1 |

● Only available with models factory installed with CoPilot.

▲ Not shown on Parts Diagram.

✱ This part is included in an assembly and cannot be ordered individually.

◆ Only available with models factory installed with i-Pilot.

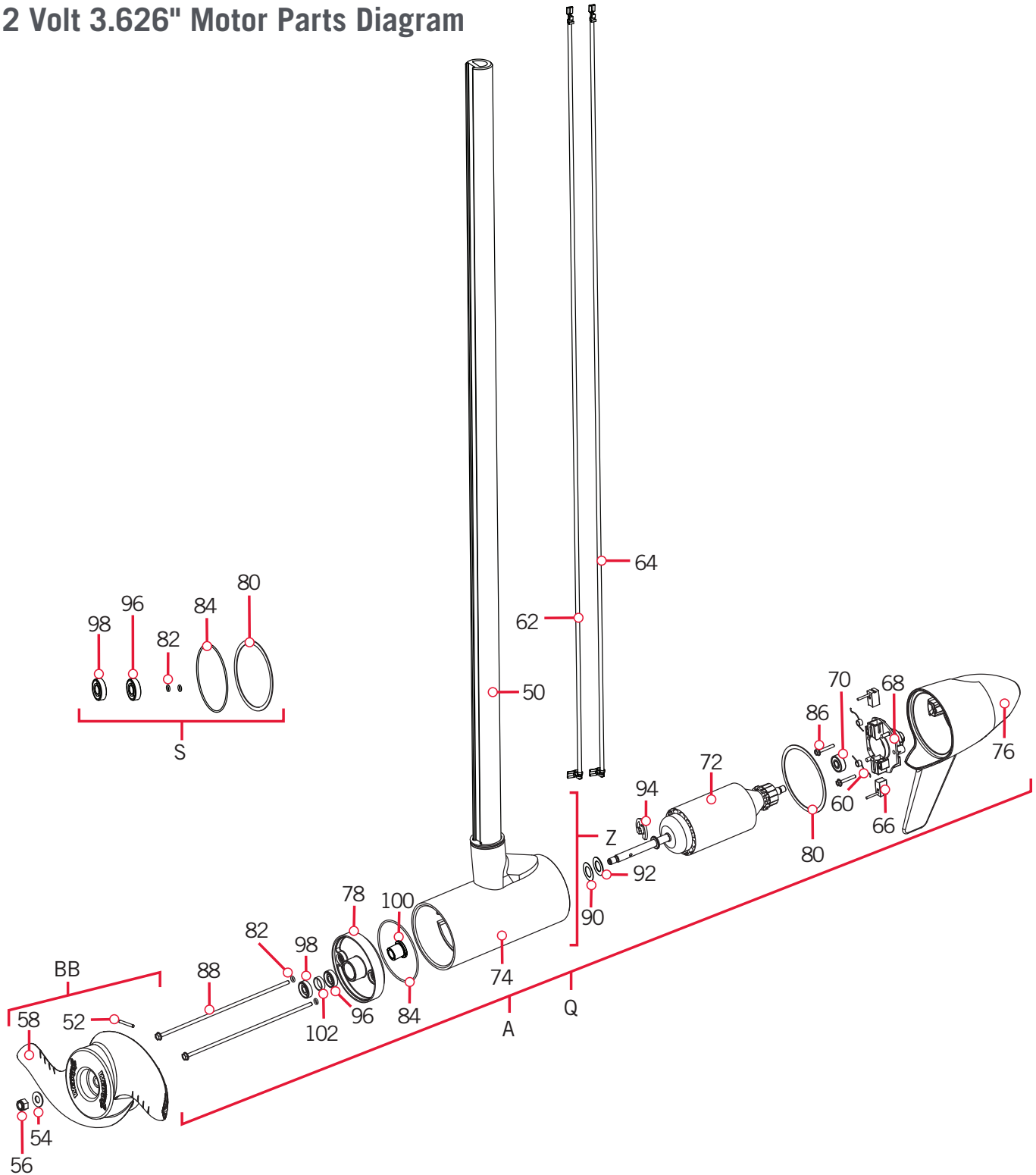
● Only available with models factory installed with i-Pilot Link.



PARTS DIAGRAM & PARTS LIST

RIPTIDE TERROVA MOTOR

12 Volt 3.626" Motor Parts Diagram



PARTS DIAGRAM & PARTS LIST

▶ 12 Volt 3.626" Motor Parts List

| Assembly | Part # | Description | Quantity |
|----------|-----------|--|----------|
| A | 2779034 | MTR/TUBE ASM 55# 54" RT TRV BT *MOTOR & TUBE* *54" *3.625* | 1 |
| Q | 2779036 | MTR/TUBE ASM 55# 60" *MOTOR & TUBE* *60" *3.625* *EUROPE ONLY* | 1 |
| Z | 2779307 | CTR HSG, CB, 55#, SW 60" *UP TO 60"* *TUBE* *3.625* | 1 |
| BB | 1378131 | PROP IND 2091160 WDL5 WDG II *3.625* *55LB THRUST* | 1 |
| S | 2888460 | SEAL & O-RING KIT *55LB THRUST* *3.625* | 1 |
| Item | Part # | Description | Quantity |
| 50 | ✘ | TUBE-COMP,WHT,54",1/4" WALL,T2 *54"* *55 LBS* | 1 |
| | ✘ | TUBE-COMP,WHT,60",1/4" WALL,T2 *iPILOT* *60"* *55 LBS* | 1 |
| 52 | 2092600 | PIN-DRIVE 1" X 3/8" S/S *55LB THRUST* *3.625* | 1 |
| 54 | 2151726 | WASHER-5/16 STD (S/S) *55LB THRUST* *3.625* | 1 |
| 56 | 2198400 | ANODES, ZINC, 3.25/3.62" LWR UNT *55LB THRUST* *3.625* | 1 |
| 58 | 2091160 | PROP-WW2 (3-5/8") REAMED *55LB THRUST* *3.625* | 1 |
| 60 | 975-040 | SPRING - TORSION *3.625* *55LB THRUST* | 2 |
| 62 | 640-151 | LEADWIRE RED 10 AWG 70.375 GPT *54"* *55 LBS* | 1 |
| | 640-156 | LEADWIRE RED 10 AWG 76.375 *iPILOT* *60"* *55 LBS* *M* | 1 |
| 64 | 640-023 | LEADWIRE BLK 10 AWG 69" GPT *54"* *55 LBS* | 1 |
| | 640-056 | LEADWIRE BLK 10 AMP 75" GPT *iPILOT* *60"* *55 LBS* *M* | 1 |
| 66 | 188-036 | BRUSH ASSEMBLY *3.625* *55LB THRUST* | 2 |
| 68 | 738-036 | BRUSH PLATE WITH HOLDER 3.625 *3.625* *55LB THRUST* | 1 |
| 70 | 725-050 | PAPER TUBE - BRUSH RETENTION *3.625* *55LB THRUST* | 1 |
| 72 | 2-100-146 | ARM ASY 12V 3.62 55#CB/LS *55LB THRUST* *3.625* | 1 |
| 74 | ✘ | CTR HSG ASY 3.6 SW/CB/W-MG *55LB THRUST* *3.625* | 1 |
| 76 | 421-350 | HSG BRSH END 3.62 SW CB/WHITE *55LB THRUST* *3.625* | 1 |
| 78 | 2-400-337 | PLAIN END HSG ASY 3.6 TX/W *55LB THRUST* *3.625* | 1 |
| 80 | 337-036 | GASKET *55LB THRUST* *3.625* | 1 |
| 82 | 701-008 | O-RING *55LB THRUST* *3.625* | 2 |
| 84 | 701-081 | O-RING *55LB THRUST* *3.625* | 1 |
| 86 | 830-007 | SCREW, # 8-32 *55LB THRUST* *3.625* | 2 |
| 88 | 830-008 | THRU BOLT 10-32 x 9.205 *55LB THRUST* *3.625* | 2 |
| 90 | 990-067 | WASHER - STEEL THRUST *55LB THRUST* *3.625* | 1 |
| 92 | 990-070 | WASHER - NYLATRON *55LB THRUST* *3.625* | 1 |
| 94 | 788-015 | RETAINING RING *3.625* | 1 |
| 96 | 880-003 | SEAL | 1 |
| 98 | 880-006 | SEAL WITH SHIELD | 1 |
| 100 | 144-049 | BEARING-FLANGE | 1 |
| 102 | 725-035 | PAPER TUBE - SEAL BORE | 1 |

● Only available with models factory installed with CoPilot.

◆ Only available with models factory installed with i-Pilot.

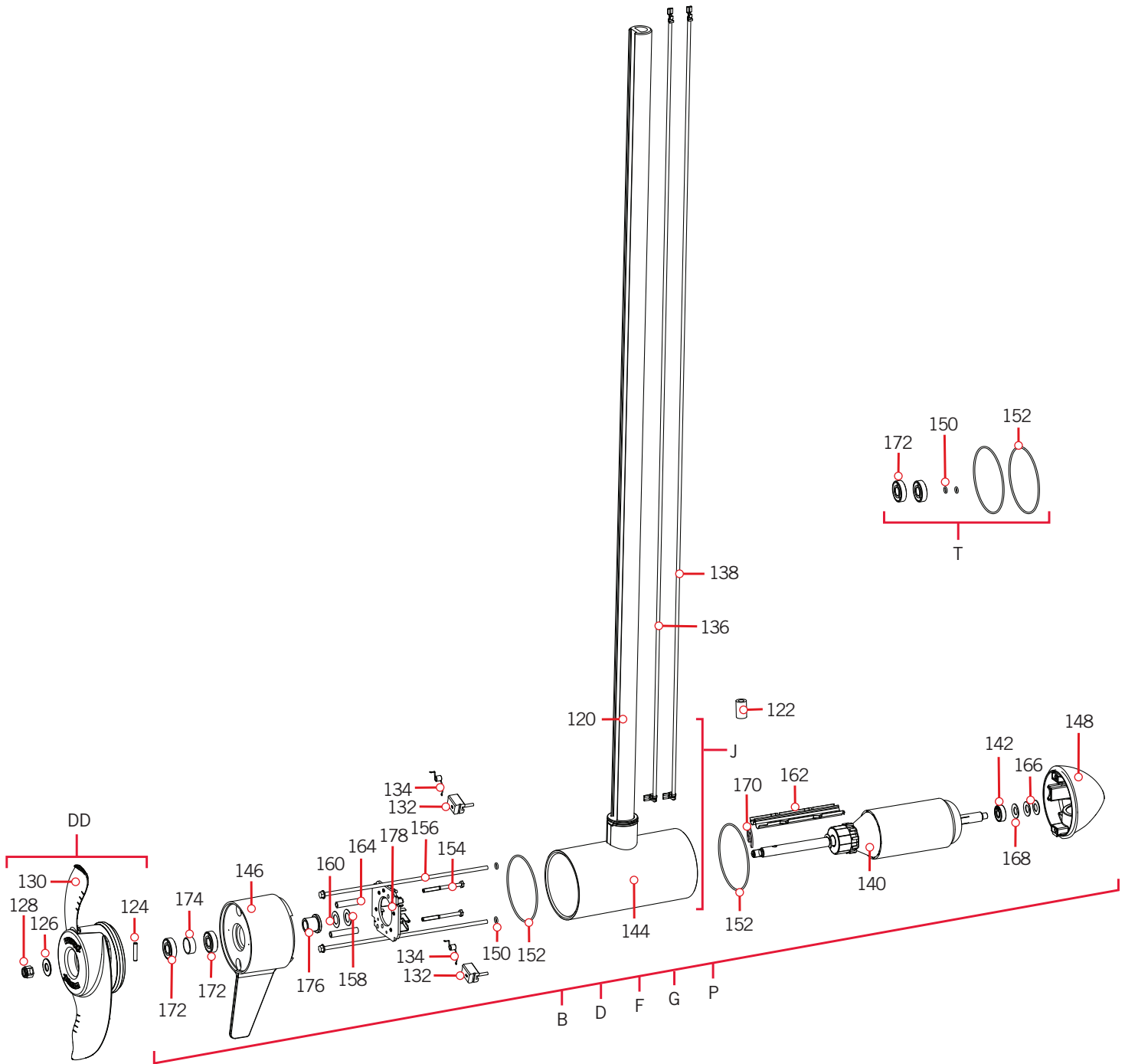
▲ Not shown on Parts Diagram.

● Only available with models factory installed with i-Pilot Link.

✘ This part is included in an assembly and cannot be ordered individually.

PARTS DIAGRAM & PARTS LIST

24 Volt 4" Motor Parts Diagram



PARTS DIAGRAM & PARTS LIST

24 Volt 4" Motor Parts List

| Assembly | Part # | Description | Quantity |
|----------|-----------|---|----------|
| B | 2777034 | MTR/TUBE ASM 80# 54" TRV BT *MOTOR & TUBE* *54* *4* *COPILOT* | 1 |
| F | 2777035 | MTR/TUBE ASM 80# 54" TRV-M BT *MOTOR & TUBE* *54* *4* *EUROPE ONLY* | 1 |
| D | 2777036 | MTR/TUBE ASM 80# 60" RT TRV BT *MOTOR & TUBE* *60* *4* | 1 |
| G | 2777037 | MTR/TUBE 80# 60" RT TRV-M BT *MOTOR & TUBE* *60* *4* *EUROPE ONLY* | 1 |
| P | 2777042 | MTR/TUBE ASM 80# 72" *MOTOR & TUBE* *72* *4* *EUROPE ONLY* | 1 |
| J | 2777398 | CTR HSG,CB,80#,SW, UP TO 60" *TUBE* *4* | 1 |
| DD | 1378132 | PROP IND 233160 WDLS WDG II *4* *80LB THRUST* | 1 |
| T | 2889460 | SEAL & O-RING KIT *80LB THRUST* *4* | 1 |
| Item | Part # | Description | Quantity |
| 120 | ✘ | TUBE-COMP,WHT,54",1/4", "M",T2 *54"* | 1 |
| | ✘ | TUBE-COMP,WHT,60",1/4", "M",T2 *60"* | 1 |
| | ✘ | TUBE-COMP,WHT,60",1/4", WALL,T2 *60"* | 1 |
| | ✘ | TUBE-COMP,WHT,72",1/4", "M",T2 *72"* | 1 |
| | ✘ | TUBE-COMP,WHT,72",1/4" WALL,T2 *72"* | 1 |
| 122 | 2307312 | BEAD-FERRITE *M SKU* *EUROPE ONLY* | 1 |
| 124 | 2262658 | PIN-DRIVE *80LB THRUST* *4* | 1 |
| 126 | 2091701 | WASHER-PROP (LARGE) *80LB THRUST* *4* | 1 |
| 128 | 2198401 | ANODES, ZINC, 4.0"LWR UNIT *80LB THRUST* *4* | 1 |
| 130 | 2331160 | PROP-WW2 (4) w/ADP.RING *4* *80LB THRUST* | 1 |
| 132 | 188-094 | BRUSH W/TERMINAL *4* *80LB THRUST* | 2 |
| 134 | 975-041 | SPRING - TORSION *4* *80LB THRUST* | 2 |
| ▲ | ✘ | RIVET - .25" *4* *80LB THRUST* | 6 |
| 136 | 640-133 | LEADWIRE RED 10AWG 66-1/4 XLP *COPILOT* *54"* | 1 |
| | 640-126 | LEADWIRE RED 10AWG 71" XLP *60"* | 1 |
| | 640-155 | LEADWIRE RED 10AWG 83.625 XLP *72"* | 1 |
| 138 | 640-025 | LEADWIRE BLK 10 AWG 66 3/4 XLP *COPILOT* *54"* | 1 |
| | 640-022 | LEADWIRE BLK 10 AWG 72.5 XLP *60"* | 1 |
| | 640-053 | LEADWIRE BLK 10 AWG 82.375 XLP *72"* | 1 |
| ▲ | ✘ | BRUSH HOLDER *4* *80LB THRUST* | 2 |
| ▲ | ✘ | CONNECTOR 1/4 MALE TAB QD *4* *80LB THRUST* | 2 |
| 140 | 2-100-214 | ARM ASSY 24V 4" 80# (WW2) *80LB THRUST* *4.0* | 1 |
| 142 | 140-010 | BEARING - BALL *80LB THRUST* *4.0* | 1 |
| 144 | ✘ | CTR HSG ASM 4.0" SW CB MGNTZD *80LB THRUST* *4.0* | 1 |
| 146 | 2-300-370 | BRUSH END HSG ASY SW/W 4.0 *80LB THRUST* *4.0* | 1 |
| 148 | 421-376 | HSG PLN END 4" SW WHT BS *80LB THRUST* *4.0* | 1 |

● Only available with models factory installed with CoPilot.

▲ Not shown on Parts Diagram.

✘ This part is included in an assembly and cannot be ordered individually.

◆ Only available with models factory installed with i-Pilot.

● Only available with models factory installed with i-Pilot Link.

PARTS DIAGRAM & PARTS LIST



| Item | Part # | Description | Quantity |
|------|-----------|--|----------|
| 150 | 701-009 | O-RING *80LB THRUST* *4.0* | 2 |
| 152 | 701-043 | O-RING *80LB THRUST* *4.0* | 2 |
| 154 | 830-027 | SCREW - SELF-THREAD 10-32X2.25 *80LB THRUST* *4.0* | 2 |
| 156 | 830-094 | THRU BOLT 12-24 x 10.31 *80LB THRUST* *4.0* | 2 |
| 158 | 990-051 | WASHER - STEEL THRUST *80LB THRUST* *4.0* | 1 |
| 160 | 990-052 | WASHER - NYLATRON *80LB THRUST* *4.0* | 1 |
| 162 | 582-013 | CLIP, RETAINING SHORT *80LB THRUST* *4.0* | 1 |
| 164 | 973-025 | SPACER - BRUSHPLATE *80LB THRUST* *4.0* | 2 |
| 166 | 992-010 | WASHER - BELLEVILLE *80LB THRUST* *4.0* | 2 |
| 168 | 990-045 | SPACER - THRUST *80LB THRUST* *4.0* | 1 |
| 170 | 788-040 | RETAINING RING | 1 |
| 172 | 880-025 | SEAL | 2 |
| 174 | 725-095 | PAPER TUBE, SEAL | 1 |
| 176 | 144-017 | BEARING, FLANGE | 1 |
| 178 | 9-738-015 | BRUSH PLATE 4" TERMINAL *4"* *80LBS THRUST* | 1 |

● Only available with models factory installed with CoPilot.

▲ Not shown on Parts Diagram.

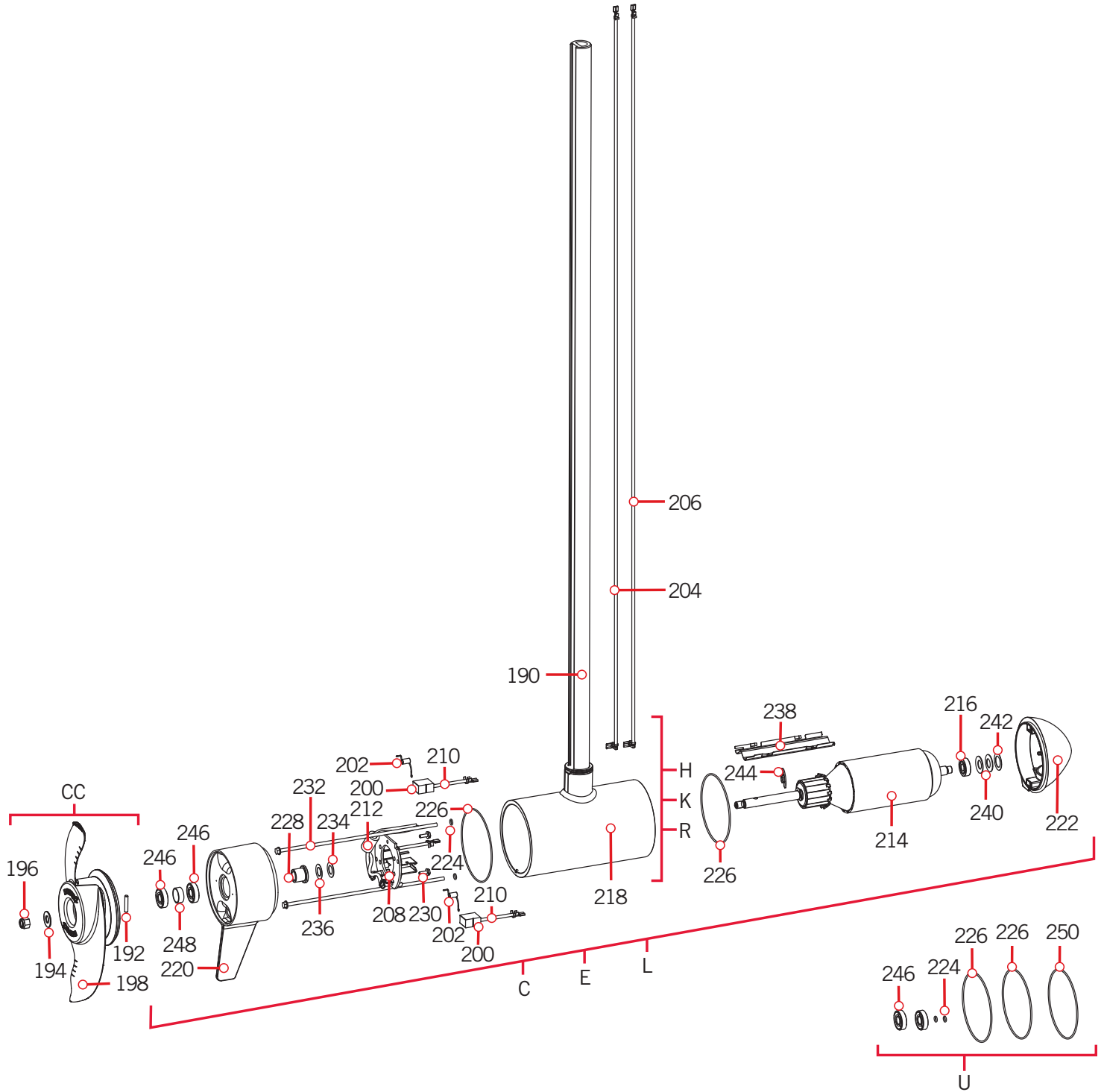
✱ This part is included in an assembly and cannot be ordered individually.

◆ Only available with models factory installed with i-Pilot.

● Only available with models factory installed with i-Pilot Link.



▶ 36 Volt 4.5" Motor Parts Diagram



PARTS DIAGRAM & PARTS LIST

▶ 36 Volt 4.5" Motor Parts List

| Assembly | Part # | Description | Quantity |
|----------|-----------|---|----------|
| C | 2777083 | MTR/TUBE 112# 60" RT TRV BT *MOTOR & TUBE* *60* *4.5* | 1 |
| E | 2777084 | MTR/TUBE 112# 72" RT TRV BT *MOTOR & TUBE* *72* *4.5* | 1 |
| L | 2777198 | MTR/TUBE 112# 87" RT TRV BT *MOTOR & TUBE* *87* *4.5* | 1 |
| H | 2777343 | CTR HSG,CB,112#,SW, UP TO 60" *TUBE* *4.5* | 1 |
| K | 2777344 | CTR HSG,CB,112#,SW, 72" *TUBE* *4.5* | 1 |
| R | 2777356 | CTR HSG,CB, 112#, SW, 87" *TUBE* *4.5* | 1 |
| CC | 1378160 | PROP KIT 2341160 112# WW2 *4.5* *112LB THRUST* | 1 |
| U | 2881450 | SEAL & O-RING KIT *112LB THRUST* *4.5* | 1 |
| Item | Part # | Description | Quantity |
| 190 | ✘ | TUBE-COMP,WHT,72",1/4" WALL,T2 *72"* | 1 |
| | ✘ | TUBE-COMP,WHT,60",1/4" WALL,T2 *60"* | 1 |
| | ✘ | TUBE-COMP, WHT, 87",, 1/4" WALL *87"* | 1 |
| 192 | 2262658 | PIN-DRIVE 3/16" DIAMETER LG (SS) *112LB THRUST* *4.5* | 1 |
| 194 | 2091701 | WASHER-PROP (LARGE) *112LB THRUST* *4.5* | 1 |
| 196 | 2198401 | ANODES, ZINC, 4.5"LWR UNIT *112LB THRUST* *4.5* | 1 |
| 198 | 2341160 | PROP-WW2 (4.5") w/ADP.RING *112LB THRUST* *4.5* | 1 |
| 200 | 188-095 | BRUSH *4.5* *112LB THRUST* | 2 |
| 202 | 975-045 | SPRING - TORSION *4.5* *112 LB THRUST* | 2 |
| ▲ | ✘ | RIVET - .25" *4.5* *112LB THRUST* | 6 |
| 204 | 640-145 | LEADWIRE RED 10AWG 75 7/8" GPT | 1 |
| | 640-149 | LEADWIRE RED 10AWG 88" GPT *72"* | 1 |
| | 640-157 | LEADWIRE RED 10 AWG 100" GPT *87"* | 1 |
| 206 | 640-049 | LEADWIRE BLK 10AWG 88.50" GPT *72"* | 1 |
| | 640-045 | LEADWIRE BLK 10 AWG 76.5 GPT *60"* | 1 |
| | 640-057 | LEADWIRE BLK 10A 100.5" GPT *87"* | 1 |
| ▲ | ✘ | BRUSH HOLDER *4.5* *112LB THRUST* | 2 |
| 208 | 9-738-011 | BRUSH PLATE *4.5* *112LB THRUST* | 1 |
| 210 | 2260731 | TERMINAL 1/4" MALE TAB-THREE *4.5* *112LB THRUST* | 2 |
| 212 | 2307312 | BEAD-FERRITE *4.5* *112LB THRUST* | 1 |
| 214 | 2-100-245 | ARMATURE ASY 4.5"LWR UNIT *112LB THRUST* *4.5* | 1 |
| 216 | 140-014 | BEARING-BALL 6000 *112LB THRUST* *4.5* | 1 |
| 218 | ✘ | CTR HSG ASY 4.5" MAG FW CB *112LB THRUST* *4.5* | 1 |
| 220 | 2-300-176 | BRUSH END HSG ASY 4.5" SW *112LB THRUST* *4.5* | 1 |
| 222 | 421-241 | PLAIN END HSG 4.5" PNTD SW *112LB THRUST* *4.5* | 1 |
| 224 | 701-009 | O-RING *112LB THRUST* *4.5* | 2 |
| 226 | 701-098 | O-RING, 98MM X 2MM *112LB THRUST* *4.5* | 2 |

● Only available with models factory installed with CoPilot.

◆ Only available with models factory installed with i-Pilot.

▲ Not shown on Parts Diagram.

● Only available with models factory installed with i-Pilot Link.

✘ This part is included in an assembly and cannot be ordered individually.

PARTS DIAGRAM & PARTS LIST



| Item | Part # | Description | Quantity |
|------|-----------|---|----------|
| 228 | 144-017 | BEARING, FLANGE | 1 |
| 230 | 2053410 | SCREW-#8-32 X 1/2 TRI-LOBE HEX *112LB THRUST* *4.5* | 2 |
| 232 | 830-094 | THRU BOLT 12-24 X10.31 *112LB THRUST* *4.5* | 2 |
| 234 | 990-051 | WASHER - STEEL THRUST *4.0* *112LB THRUST* *4.5* | 1 |
| 236 | 990-052 | WASHER - NYLATRON *112LB THRUST* *4.5* | 1 |
| 238 | 582-016 | CLIP-RETAINING, SONAR *112LB THRUST* *4.5* | 1 |
| 240 | 992-011 | WASHER - BELLEVILLE *112LB THRUST* *4.5* | 2 |
| 242 | 990-011 | WASHER-SHIM OD 1",ID.630"SS *112LB THRUST* *4.5* | 1 |
| 244 | 788-040 | RETAINING RING | 1 |
| 246 | 880-025 | SEAL | 2 |
| 248 | 725-095 | PAPER TUBE, SEAL | 1 |
| 250 | 701-007 ✘ | O-RING, 107 MM X 1.78MM, 70 BUNA | 1 |

● Only available with models factory installed with CoPilot.

▲ Not shown on Parts Diagram.

✘ This part is included in an assembly and cannot be ordered individually.

◆ Only available with models factory installed with i-Pilot.

● Only available with models factory installed with i-Pilot Link.

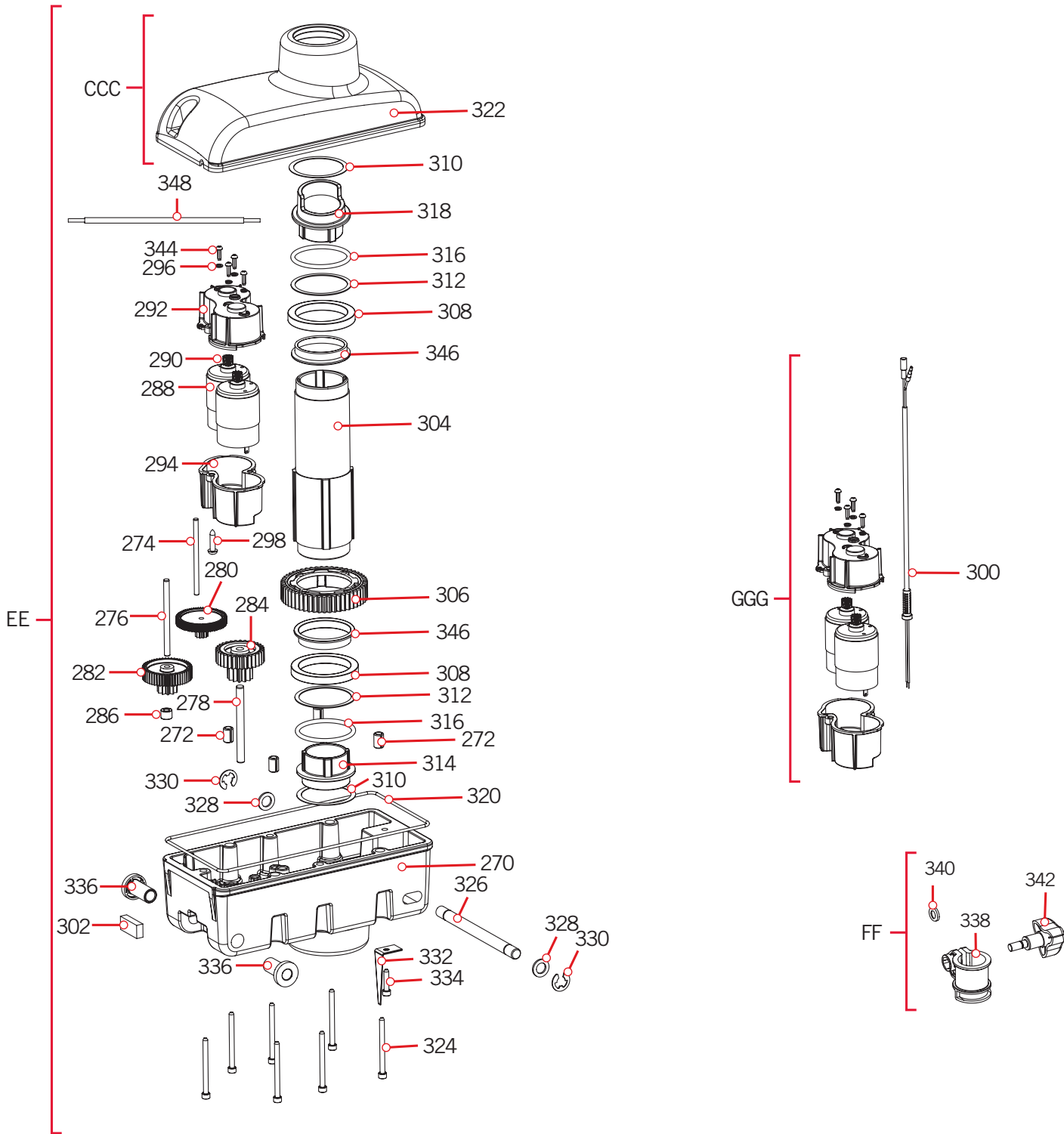


PARTS DIAGRAM & PARTS LIST



RIPTIDE TERROVA STEERING HOUSING >

> 87" Motor Steering Housing Parts Diagram



87" Motor Steering Housing Part List

| Assembly | Part # | Description | Quantity |
|----------|---------|--|----------|
| EE | 2997028 | STEERING HSG ASM 36V 112 SW *87"** | 1 |
| GGG | 2777063 | STEERING MOTOR KIT, 36V SW T2 | 1 |
| CCC | 2776562 | STEERING HSG TOP SW / GEAR KIT | 1 |
| FF | 2771500 | DEPTH COLLAR/KNOB ASSY | 1 |
| Item | Part # | Description | Quantity |
| 270 | 2326567 | STEERING HSG,BTTM,SW,WHT | 1 |
| 272 | ✘ | PIN-ROLL 5/16" X 1/2" | 4 |
| 274 | ✘ | SHAFT-GEAR, FIRST CLUSTER | 1 |
| 276 | ✘ | SHAFT-GEAR,INTERMED.CLUSTER | 1 |
| 278 | ✘ | SHAFT-GEAR, THIRD CLUSTER | 1 |
| 280 | 2322210 | GEAR & PINION,DR. HSG, STAGE 2 | 1 |
| 282 | 2302250 | GEAR & PINION,DR. HSG, STAGE 3 | 1 |
| 284 | 2302255 | GEAR & PINION,DR. HSG, STAGE 4 | 1 |
| 286 | 2321730 | SPACER,GEAR CLUSTER | 1 |
| 288 | ✘ | MOTOR, STEERING 36V FW T2 | 2 |
| 290 | 2322215 | PINION GEAR, DR.HSG, STAGE 1 | 2 |
| 292 | 2322521 | CASE-MTR, STEER HSG, TOP w/HOLES *36 VOLT* | 1 |
| 294 | 2322525 | CASE-MOTOR,STRG HSG,BTM | 1 |
| 296 | 2051710 | SPLIT LOCK WASHER 3MM | 4 |
| 298 | 2043412 | SCREW-#8-18 X 3/4 TY AB SS PPH | 1 |
| 300 | ✘ | LEADWIRE,STEERING MOTOR | 1 |
| 302 | 2308601 | BREATHER FILTER, DR.HOUSING | 1 |
| 304 | 2322031 | TUBE-OUTPUT, SALTWATER | 1 |
| 306 | 2322200 | GEAR-OUTPUT | 1 |
| 308 | 2327315 | BUSHING,ALUMIN. SPACER ST | 2 |
| 310 | 2321704 | WASHER-THRUST, STEERING | 2 |
| 312 | 2321720 | SHIM,O-RING | 2 |
| 314 | 2321510 | COLLAR-DRIVE,BOTTOM | 1 |
| 316 | 2324608 | O-RING,224, STR HSG | 2 |
| 318 | 2321515 | LINER OUTPUT TUBE | 1 |
| 320 | 2324604 | O-RING, CASE SEAL | 1 |
| 322 | ✘ | HOUSING-STEERING, TOP, SW | 1 |
| 324 | 2323408 | SCREW-#8-32 X 2.0 SHCS SS | 7 |
| 326 | 2322601 | PIN-LATCH, SS | 1 |
| 328 | 2321702 | WASHER-FLAT .375 NYLON | 2 |
| 330 | 2263011 | E-RING 3/8 DIA. SHAFT | 2 |

● Only available with models factory installed with CoPilot.

◆ Only available with models factory installed with i-Pilot.

▲ Not shown on Parts Diagram.

● Only available with models factory installed with i-Pilot Link.

✘ This part is included in an assembly and cannot be ordered individually.

PARTS DIAGRAM & PARTS LIST



| Item | Part # | Description | Quantity |
|------|---------|-----------------------------------|----------|
| 332 | 2322702 | SPRING, LATCH PIN SS | 2 |
| 334 | 2323410 | SCREW-#8-32 X .75 SHCS SS | 1 |
| 336 | 2327310 | BUSHING, PIVOT PIN | 2 |
| 338 | 2321500 | DEPTH COLLAR 1.3 | 1 |
| 340 | 2321702 | WASHER-FLAT .375 NYLON | 1 |
| 342 | 2260906 | KNOB-SOFT GRIP,HG/DR,SS | 1 |
| 344 | 2053422 | SCREW-M3-.5 X 10 PPH, ZPS | 4 |
| 346 | 2327314 | BUSHING, PRO STEERING SW | 2 |
| 348 | 2320321 | WIRE EXTENSION, 112" THRUST MOTOR | 1 |
| ▲ | 2325502 | DECAL, STOW / DEPLOY, T2 | 1 |

● Only available with models factory installed with CoPilot.

▲ Not shown on Parts Diagram.

✘ This part is included in an assembly and cannot be ordered individually.

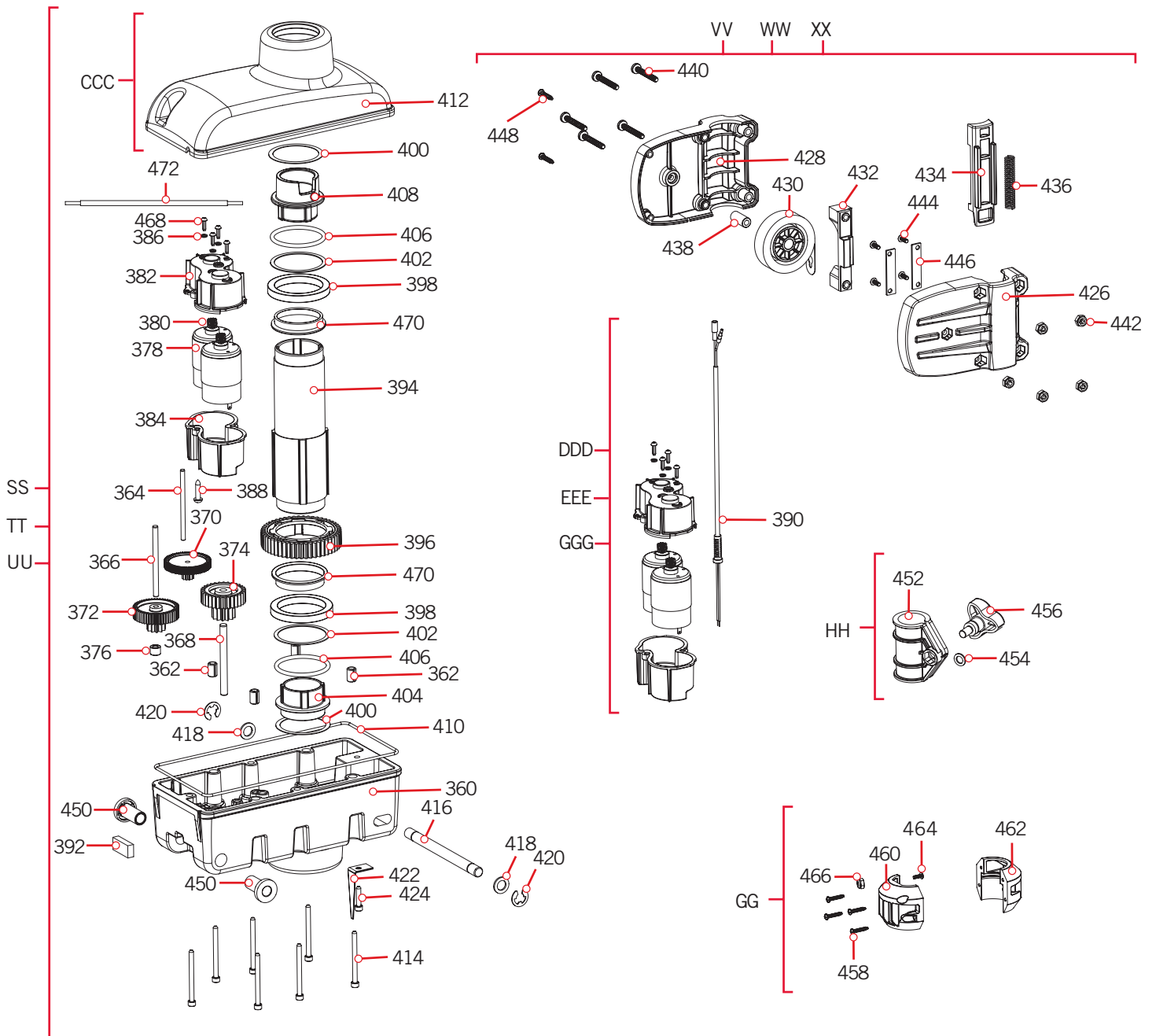
◆ Only available with models factory installed with i-Pilot.

● Only available with models factory installed with i-Pilot Link.



RIPTIDE TERROVA STEERING HOUSING >

> 54", 60" & 72" Motor Steering Housing & Lift Assist Parts Diagram



PARTS DIAGRAM & PARTS LIST

54", 60" & 72" Motor Steering Housing & Lift Assist Parts List

| Assembly | Part # | Description | Quantity |
|----------|---------|---|----------|
| SS | 2997064 | STEERING HSG ASM 12V SW | 1 |
| TT | 2997065 | STEERING HSG ASM 24V SW | 1 |
| UU | 2997063 | STEERING HSG ASM 36V SW | 1 |
| VV | 2992730 | LIFT ASSIST, 55# SW | 1 |
| WW | 2992731 | LIFT ASSIST, 80# SW | 1 |
| XX | 2992732 | LIFT ASSIST, 112# SW | 1 |
| CCC | 2776562 | STEERING HSG TOP SW / GEAR KIT | 1 |
| DDD | 2777060 | STEERING MOTOR KIT, 12V T2 | 1 |
| EEE | 2777061 | STEERING MOTOR KIT, 24V T2 | 1 |
| GGG | 2777063 | STEERING MOTOR KIT, 36V SW T2 *DUAL MOTOR* | 1 |
| GG | 2771523 | COLLAR-FRONT/BACK, LFT ASST KIT | 1 |
| HH | 2771505 | DEPTH COLLAR KIT, TERROVA BT | 1 |
| Item | Part # | Description | Quantity |
| 360 | 2326567 | STEERING HSG,BTTM,SW,WHT | 1 |
| 362 | ✘ | PIN-ROLL 5/16" X 1/2" | 4 |
| 364 | ✘ | SHAFT-GEAR, FIRST CLUSTER | 1 |
| 366 | ✘ | SHAFT-GEAR,INTERMED.CLUSTER | 1 |
| 368 | ✘ | SHAFT-GEAR, THIRD CLUSTER | 1 |
| 370 | 2322210 | GEAR & PINION,DR. HSG, STAGE 2 | 1 |
| 372 | 2302250 | GEAR & PINION,DR. HSG, STAGE 3 | 1 |
| 374 | 2302255 | GEAR & PINION,DR. HSG, STAGE 4 | 1 |
| 376 | 2321730 | SPACER,GEAR CLUSTER | 1 |
| 378 | ✘ | MOTOR, STEERING 12V FW T2 *SEE DDD* | 1 |
| | ✘ | MOTOR, STEERING 24V FW T2 *SEE EEE* | 1 |
| | ✘ | MOTOR, STEERING 36V FW T2 *SEE GGG* | 2 |
| 380 | 2322215 | PINION GEAR, DR.HSG, STAGE 1 | 1 |
| 382 | 2322520 | CASE-MOTOR,STRG HSG,TOP *12 VOLT* *24 VOLT* | 1 |
| | 2322521 | CASE-MTR, STEER HSG, TOP w/HOLES *36 VOLT* | 1 |
| 384 | 2322525 | CASE-MOTOR,STRG HSG,BTM | 1 |
| 386 | 2051710 | SPLIT LOCK WASHER 3MM | 4 |
| 388 | 2043412 | SCREW-#8-18 X 3/4 TY AB SS PPH | 1 |
| 390 | ✘ | LEADWIRE,STEERING MOTOR *SEE DDD, EEE OR GGG* | 1 |
| 392 | 2308601 | BREATHER FILTER, DR.HOUSING | 1 |
| 394 | 2322031 | TUBE-OUTPUT, SALTWATER | 1 |
| 396 | 2322200 | GEAR-OUTPUT | 1 |
| 398 | 2327315 | BUSHING,ALUMIN. SPACER ST | 2 |

● Only available with models factory installed with CoPilot.

▲ Not shown on Parts Diagram.

✘ This part is included in an assembly and cannot be ordered individually.

◆ Only available with models factory installed with i-Pilot.

● Only available with models factory installed with i-Pilot Link.

PARTS DIAGRAM & PARTS LIST



| Item | Part # | Description | Quantity |
|------|---------|--------------------------------|----------|
| 400 | 2321704 | WASHER-THRUST, STEERING | 2 |
| 402 | 2321720 | SHIM,O-RING | 2 |
| 404 | 2321510 | COLLAR-DRIVE,BOTTOM | 1 |
| 406 | 2324608 | O-RING,224, STR HSG | 2 |
| 408 | 2321530 | LINER OUTPUT TUBE, LIFT ASSIST | 1 |
| 410 | 2324604 | O-RING, CASE SEAL | 1 |
| 412 | ✘ | HOUSING-STEERING, TOP, SW | 1 |
| 414 | 2323408 | SCREW-#8-32 X 2.0 SHCS SS | 7 |
| 416 | 2322601 | PIN-LATCH, SS | 1 |
| 418 | 2321702 | WASHER-FLAT .375 NYLON | 2 |
| 420 | 2263011 | E-RING 3/8 DIA. SHAFT | 2 |
| 422 | 2322702 | SPRING, LATCH PIN SS | 2 |
| 424 | 2323410 | SCREW-#8-32 X .75 SHCS SS | 1 |
| 426 | 2326546 | HOUSING-RIGHT,LIFT ASSIST, SW | 1 |
| 428 | 2326541 | HOUSING-LEFT, LIFT ASSIST, SW | 1 |
| 430 | 2997903 | ASSEMBLY-HUB/SPRING, 55# INCNL | 1 |
| | 2997904 | ASSEMBLY-HUB/SPRING, 80# INCNL | 1 |
| | 2997905 | ASM-HUB/SPRING,112# INCN | 1 |
| 432 | 2322300 | GUIDE,DR.DOG, LIFT ASSIST | 1 |
| 434 | 2328605 | ENGAGEMENT DOG, LIFT ASST | 1 |
| 436 | 2322726 | SPRING,COMPRESSION,.360" OD SS | 1 |
| 438 | 2322610 | PIN-AXLE, LIFT ASSIST | 1 |
| 440 | 2323430 | SCREW-#10-24 X 1-3/8, PPH | 5 |
| 442 | 2333101 | NUT-HEX #10-24 UNC-2B NYL SS | 5 |
| 444 | 2372103 | SCREW-#6 X .375 PLASTITE SS | 4 |
| 446 | 2321955 | BRACKET, LIFT ASSIST | 2 |
| 448 | 3393450 | SCREW-#6-19 X .75 PPH HI-LO | 2 |
| 450 | 2327310 | BUSHING, PIVOT PIN | 2 |
| 452 | 2321505 | DEPTH COLLAR, LIFT ASSIST | 1 |
| 454 | 2321702 | WASHER-FLAT .375 NYLON | 1 |
| 456 | 2260906 | KNOB-SOFT GRIP,HG/DR,SS | 1 |
| 458 | 3393450 | SCREW-#6-19 X.75 PPH HI-LOW SS | 4 |
| 460 | 2321523 | COLLAR-FRONT, LIFT ASSIST, SW | 1 |
| 462 | 2321527 | COLLAR-BACK, LIFT ASSIST, SW | 1 |
| 464 | 2372103 | SCREW-#6 X .375 PLASTITE SS | 1 |
| 466 | 2323110 | NUT-HEX, 6-32 NYLOK SS | 1 |
| 468 | 2053422 | SCREW-M3-.5 X 10 PPH, ZPS | 4 |

● Only available with models factory installed with CoPilot.

▲ Not shown on Parts Diagram.

✘ This part is included in an assembly and cannot be ordered individually.

◆ Only available with models factory installed with i-Pilot.

● Only available with models factory installed with i-Pilot Link.



PARTS DIAGRAM & PARTS LIST



| Item | Part # | Description | Quantity |
|------|---------|-----------------------------------|----------|
| 470 | 2327314 | BUSHING, PRO STEERING SW | 2 |
| 472 | 2320321 | WIRE EXTENSION, 112" THRUST MOTOR | 1 |
| ▲ | 2325502 | DECAL, STOW / DEPLOY, T2 | 1 |

● Only available with models factory installed with CoPilot.

▲ Not shown on Parts Diagram.

✘ This part is included in an assembly and cannot be ordered individually.

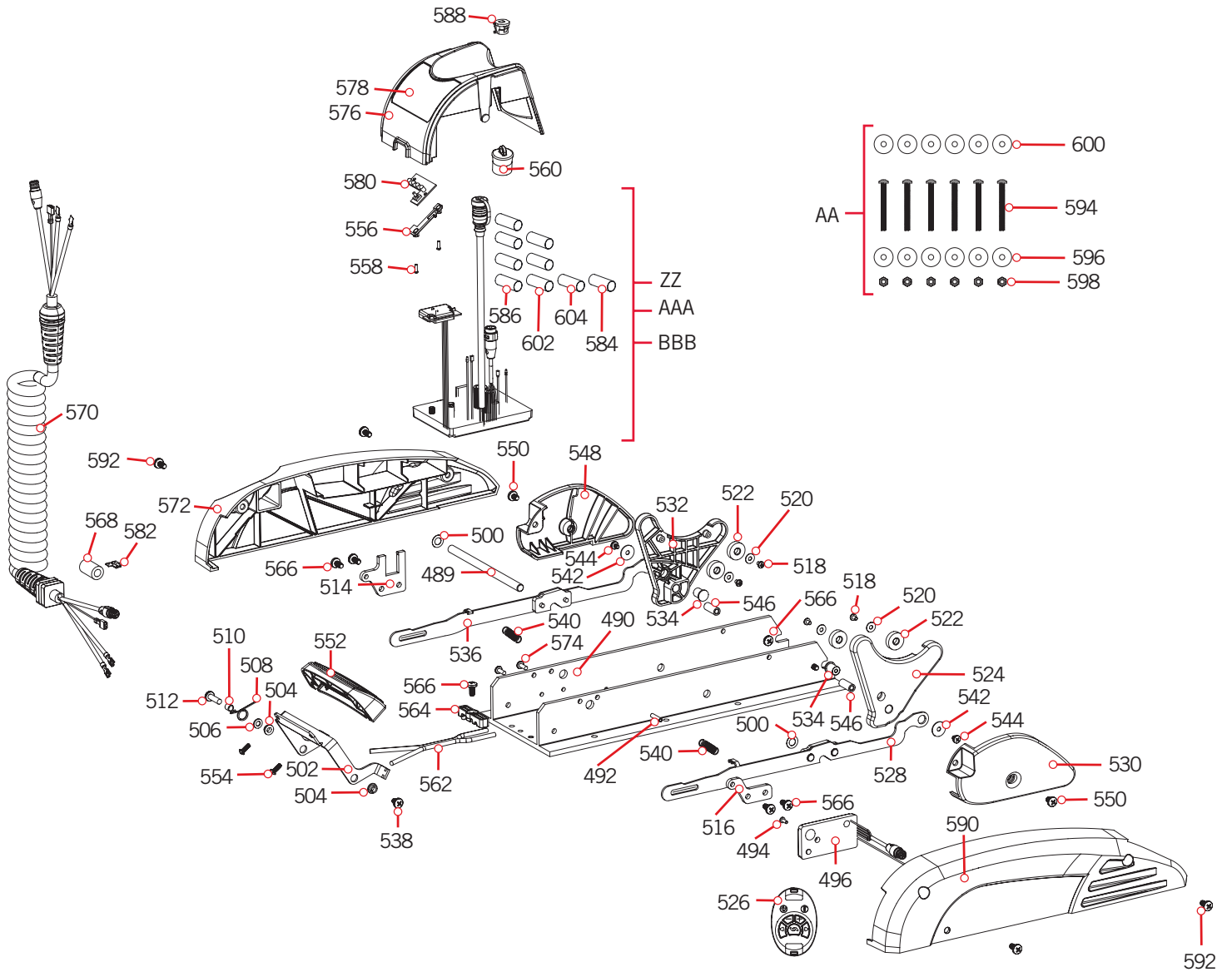
◆ Only available with models factory installed with i-Pilot.

● Only available with models factory installed with i-Pilot Link.



RIPTIDE TERROVA MOUNT

Mount Parts Diagram



PARTS DIAGRAM & PARTS LIST

Mount Parts List

| Assembly | Part # | Description | Quantity |
|----------|-----------|---|----------|
| ZZ | 2774066 | CTRL BRD, 24/36V TRV BT w/SHRNK | 1 |
| AAA | 2774067 | CTRL BRD, 12V TRV BT w/SHRNK *i-PILOT/i-PILOT LINK* | 1 |
| BBB | 2774069 | CTRL, BRD, 24/36V IP TRV BT, SHRNK *i-PILOT/i-PILOT LINK* | 1 |
| AA | 2994864 | BAG ASSY-TERROVA/V2,MNTG HDW | 1 |
| Item | Part # | Description | Quantity |
| 490 | 2321908 | BASE-EXTRUSION, MACH, SW | 1 |
| 492 | 2322912 | PIN-ROLL .1875 X 1.000 SS | 2 |
| 494 | 2332103 ● | SCREW-#8-18 X 1/2 (SS) *COPILOT* | 1 |
| 496 | 2374197 ● | PCB ASY COPLT REC. TERROVA *COPILOT* | 1 |
| 498 | 2322603 | PIN-PIVOT, SS | 1 |
| 500 | 2333100 | NUT-SPEED (SS) 3HP-SS | 2 |
| 502 | 2320406 | HANDLE, RELEASE, SW | 1 |
| 504 | 2322604 | BUSHING,HANDLE,GOBEIL | 2 |
| 506 | 2071716 | WASHER-FLAT SS .253 x .470 | 1 |
| 508 | 2322701 | SPRING, TORSION | 1 |
| 510 | 2301700 | SPACER-RELEASE LEVER-BRASS | 1 |
| 512 | 2073408 | SCREW-1/4-20 X 7/8 PPH S/S | 1 |
| 514 | 2321941 | BRACKET, STRAIN RELIEF SW | 1 |
| 516 | 2321951 | BRACKET, SIDEPLATE SW | 1 |
| 518 | 2323412 | SCREW-#8-18 X .25 PPH SS TY B | 4 |
| 520 | 2321706 | WASHER-FLAT #8 .50 OD/.188 SS | 4 |
| 522 | 2325117 | PAD, RUBBER REST, WHITE | 4 |
| 524 | 2323910 | RAMP-MOTOR, RIGHT 3-5/8" | 1 |
| | 2323930 | RAMP-MOTOR, RIGHT 4" | 1 |
| | 2323931 | RAMP-MOTOR, RIGHT 4.5" | 1 |
| 526 | 2374197 ● | PCB ASY COPLT REC. TERROVA *COPILOT* | 1 |
| 528 | 2994201 | ARM/SUPPORT BLOCK ASSY,R,SW | 1 |
| 530 | 2321920 | PLATE-SKID, RIGHT FW *80 LBS* *55 LBS* | 1 |
| | 2321922 | PLATE-SKID, RIGHT *112 LBS* | 1 |
| 532 | 2323915 | RAMP-MOTOR, LEFT 3 5/8" | 1 |
| | 2323935 | RAMP-MOTOR, LEFT 4" | 1 |
| | 2323936 | RAMP-MOTOR, LEFT 4.5" | 1 |
| 534 | 2324706 | INSERT-MOTOR RAMP,METAL,SS | 2 |
| 536 | 2994203 | ARM/SUPPORT BLOCK ASSY,L,SW | 1 |
| 538 | 2332104 | SCREW-1/4-20 X 5/8 S/S | 1 |

● Only available with models factory installed with CoPilot.

▲ Not shown on Parts Diagram.

* This part is included in an assembly and cannot be ordered individually.

◆ Only available with models factory installed with i-Pilot.

● Only available with models factory installed with i-Pilot Link.

PARTS DIAGRAM & PARTS LIST



| Item | Part # | Description | Quantity |
|------|---------|--|----------|
| 540 | 2322716 | SPRING, EXTENSION, T2 | 2 |
| 542 | 2321700 | WASHER #10 SS | 2 |
| 544 | 2323422 | SCREW-#10-24 X .25" PPH SS MCH | 2 |
| 546 | 2322921 | STAND-OFF, ALUM. ANODIZED | 2 |
| 548 | 2321925 | PLATE-SKID, LEFT *80 LBS* *55 LBS* | 1 |
| | 2321927 | PLATE-SKID, LEFT *112 LBS* | 1 |
| 550 | 2323403 | SCREW-1/4-20 X.375 MCH SS CRPH | 3 |
| 552 | 2320218 | COVER, HANDLE COSMETIC SW | 1 |
| 554 | 2383446 | SCREW-#8-16 X .50" PLASTITE SS | 2 |
| 556 | 2320830 | LOCKING TAB,PWR/BAT.METER | 1 |
| 558 | 2383428 | SCREW-#4-24 X 3/8 HI-LO SS | 2 |
| 560 | 2320202 | CAP-DUST,CONNECTOR, MALE | 1 |
| ▲ | 2323406 | SCREW-#10-24 X .50 CRPH SS | 2 |
| 562 | 2090651 | LEADWIRE,10 GA | 1 |
| 564 | 2321310 | STRAIN RELIEF | 1 |
| 566 | 2323405 | SCREW-1/4-20 X 1/2" MCH SS | 5 |
| 568 | 2307312 | BEAD-FERRITE | 1 |
| 570 | 2991271 | COIL CORD ASY 54"/60" NON-US2 *54"* *60"* | 1 |
| | 2991275 | COIL CORD ASY 72" NON-US * 72"* *112 LBS* | 1 |
| | 2991277 | COIL CORD ASM 84" NON-US * 87"* *112 LBS* | 1 |
| 572 | 2323928 | SIDEPLATE-LEFT, RT TERROVA | 1 |
| 574 | 2323402 | SCREW-1/4-20 X .375 T-L, ZP | 2 |
| 576 | 2326531 | HOUSING-CENTER, RT/ST | 1 |
| 578 | 2325658 | DECAL,BM/CN/PWR STATUS SW | 1 |
| 580 | 2074080 | BATTERY METER, 12V, SW | 1 |
| | 2074081 | BATTERY METER, 24V, SW | 1 |
| | 2074082 | BATTERY METER, 36V, SW | 1 |
| ▲ | 2321721 | SHIM, 2 X 4 X .025" | 1 |
| 582 | 2320710 | TERMINAL-AMP (T-TAB) | 1 |
| 584 | 2325401 | SHRINK TUBE-.375 OD X 2.25" | 1 |
| ▲ | 2321315 | HOLDER-CONNECTOR,NYLON,BLACK | 1 |
| 586 | 2305403 | SHRINK TUBE-.500 IDX1.0" ADHSV *SALTWATER* | 4 |
| 588 | 2322901 | STRAIN RELIEF, HEYCO P/N 1852 | 1 |
| 590 | 2323923 | SIDEPLATE-RIGHT, RT/ TERROVA | 1 |
| 592 | 2323405 | SCREW-1/4-20 X 1/2" T-L SS | 4 |
| 594 | 2263462 | SCREW-1/4-20 X 2" S/S PPH ADJT | 6 |
| 596 | 2261713 | WASHER-1/4 FLAT 18-8 SS | 6 |

● Only available with models factory installed with CoPilot.

◆ Only available with models factory installed with i-Pilot.

▲ Not shown on Parts Diagram.

● Only available with models factory installed with i-Pilot Link.

* This part is included in an assembly and cannot be ordered individually.



PARTS DIAGRAM & PARTS LIST



| Item | Part # | Description | Quantity |
|------|---------|---|----------|
| 598 | 2263103 | NUT-1/4-20 NYLOCK SS | 6 |
| 600 | 2301720 | WASHER-MOUNTING - RUBBER | 6 |
| 602 | 2305410 | SHRINK TUBE-.315 OD X 2.25" *SALTWATER* | 3 |
| 604 | 2305415 | SHRINK TUBE-.472 ID X 2.25" *SALTWATER* | 1 |

● Only available with models factory installed with CoPilot.

▲ Not shown on Parts Diagram.

✱ This part is included in an assembly and cannot be ordered individually.

◆ Only available with models factory installed with i-Pilot.

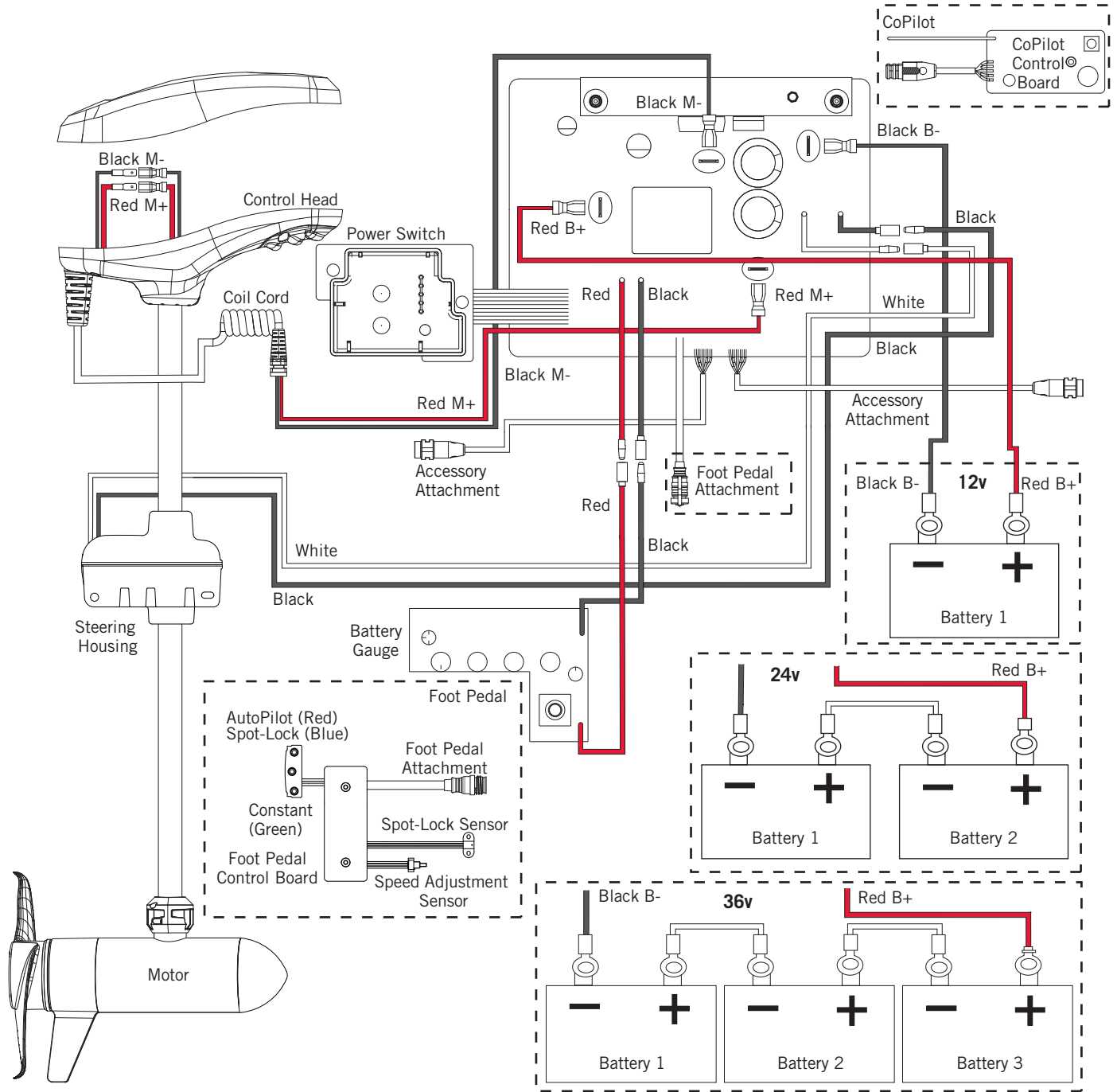
● Only available with models factory installed with i-Pilot Link.



MOTOR WIRING DIAGRAM

RIPTIDE TERROVA WITH COPILOT

The following Motor Wiring Diagram applies to all Riptide Terrova models that come factory installed with CoPilot. CoPilot or a Foot Pedal may be installed as an after market accessory on select models.

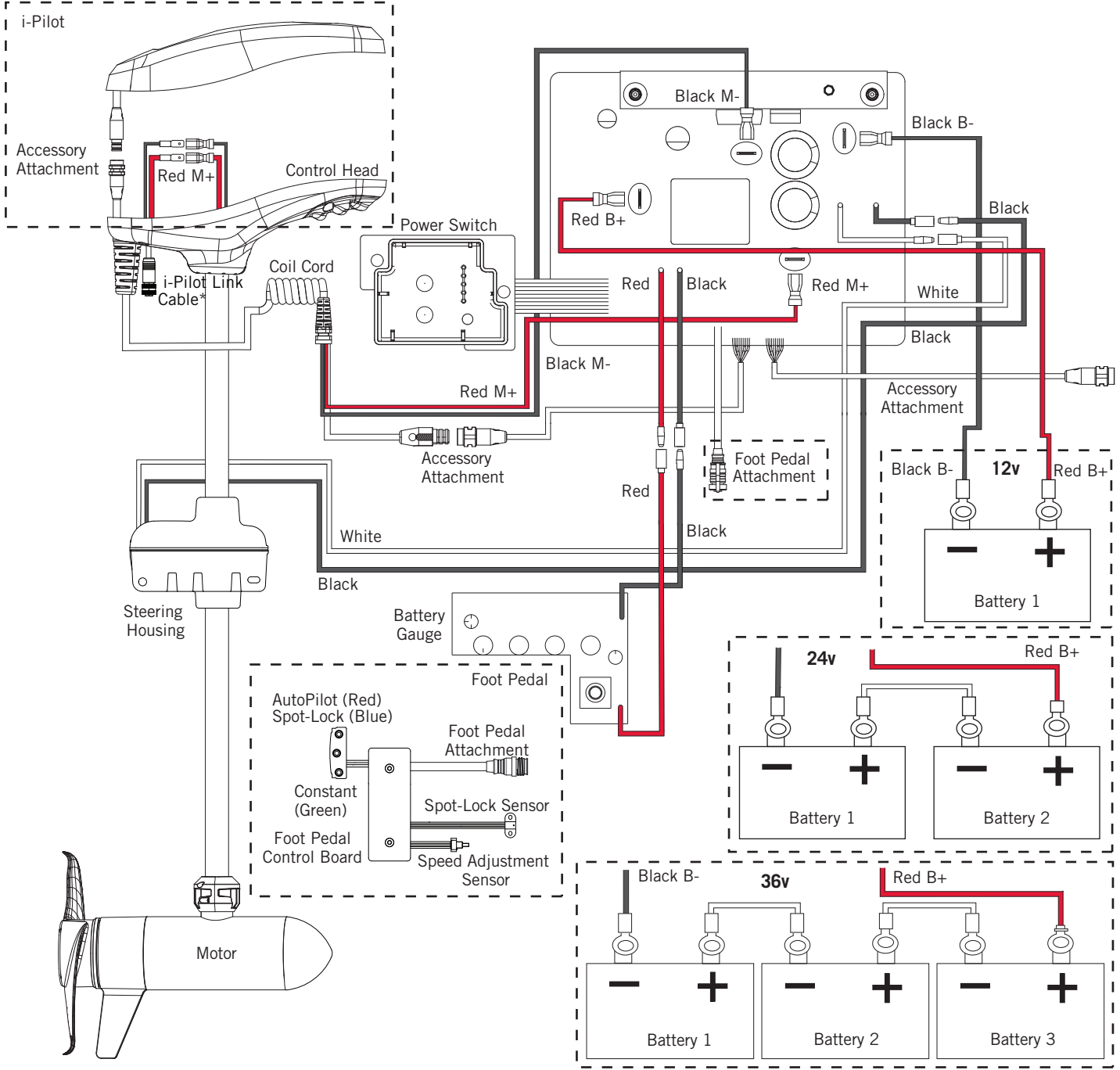


NOTICE: This is a multi-voltage diagram. Double-check your motor's voltage for proper connections. Over-Current Protection Devices are not shown in this illustration.

MOTOR WIRING DIAGRAM

RIPTIDE TERROVA WITH i-PILOT OR i-PILOT LINK

The following Motor Wiring Diagram applies to all Riptide Terrova models that come factory installed with either i-Pilot or i-Pilot Link. A Foot Pedal can be installed as an after market accessory.



NOTICE: This is a multi-voltage diagram. Double-check your motor's voltage for proper connections. Over-Current Protection Devices are not shown in this illustration.