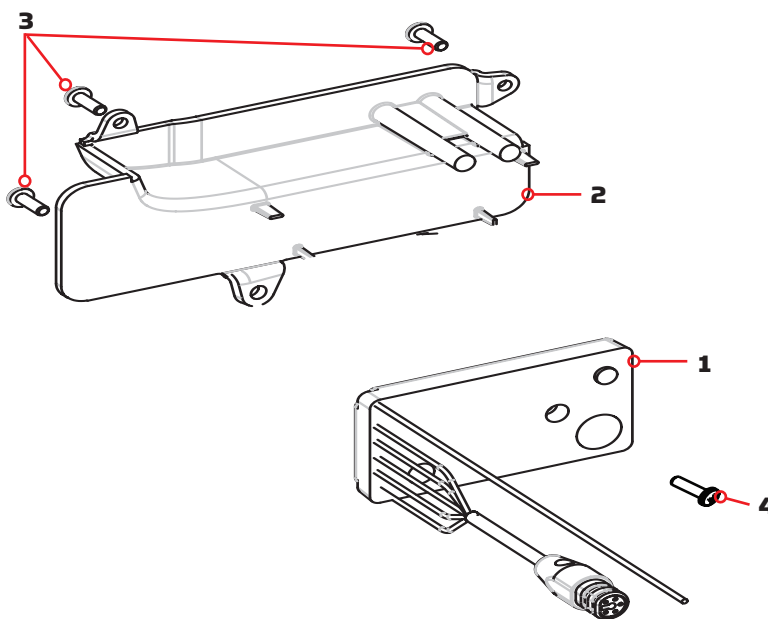


PARTS DIAGRAM

TERROVA/RIPTIDE ST COPILOT RECIEVER

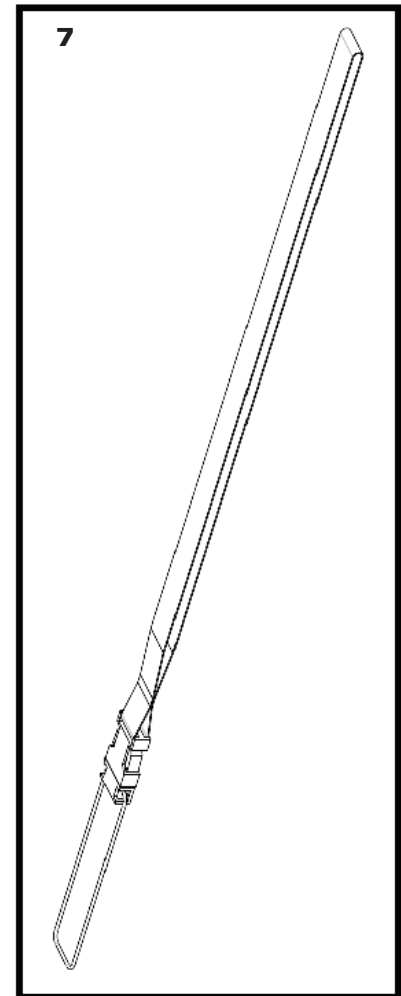
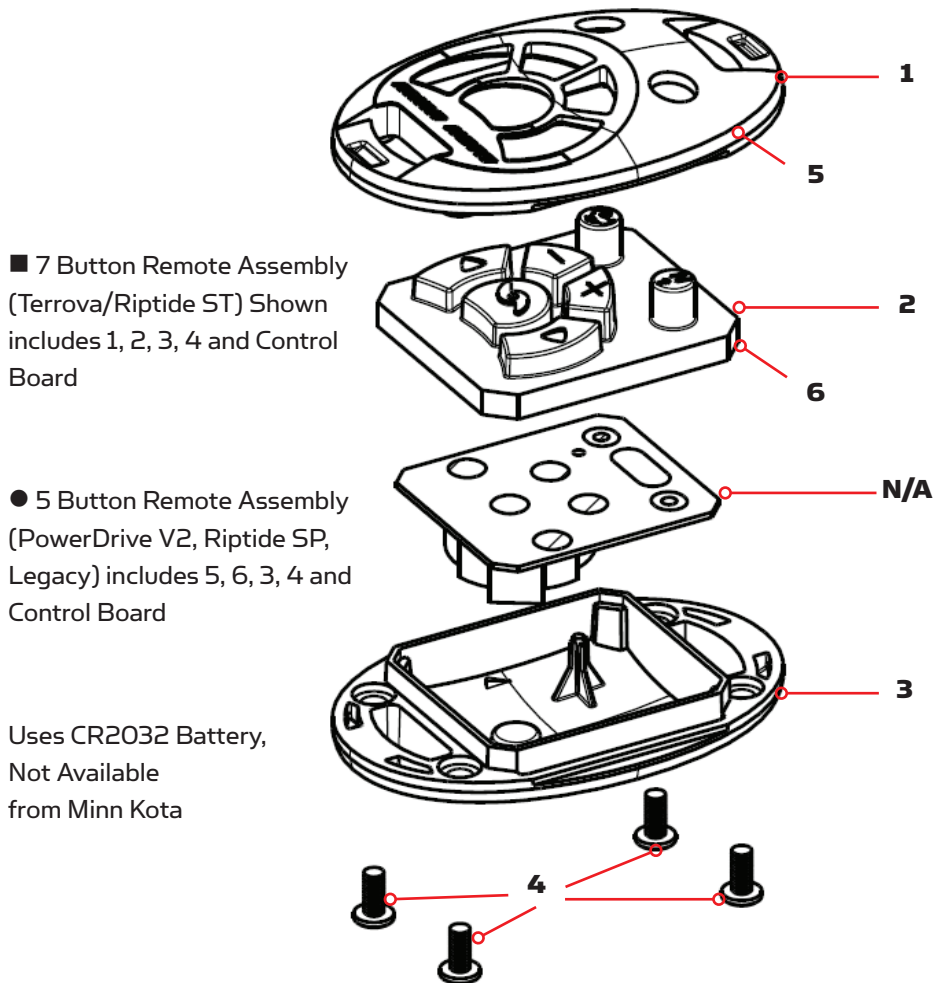


Terrova/Riptide ST CoPilot Reciever Parts List

ITEM	QTY	PART NUMBER	DESCRIPTION
1	1	2884090	PCB ASSY, COPILOT REC. W/BAG
2	1	2370220	COVER,CO-PILOT,FW (PD PRO) BLACK
	1	2370221	COVER,CO-PILOT,SW (PD PRO) WHITE
3	3	2301310	SCREW-#8-18 x 1/2 (SS)*
4	1	2332103	SCREW-#6-20 X 3/8 THD*(SS)

PARTS DIAGRAM

COPILOT REMOTE



CoPilot Remote Parts List

ITEM	QTY	PART NUMBER	DESCRIPTION
■	1	2774095	TRANSMITTER ASY, TERROVA, SERV
●	1	2774023	TRANSMITTER ASY, CO-PILOT, PD/AP
1	1	2372502	CASE, COVER, TRANSMITTER ASY
2	1	2375112	KEYPAD, TRANSMITTER ASSY
3	1	2372505	CASE BOTTOM, TRANS. ASSY
4	4	2373440	SCREW-#4-24 X 1/4 PHCR SS TY B
5	1	2372500	CASE, COVER, TRANSMITTER ASSY
6	1	2375110	KEYPAD, TRANSMITTER ASSY
7	1	2370818	LANYARD, REMOTE, I-PILOT (SUB)