

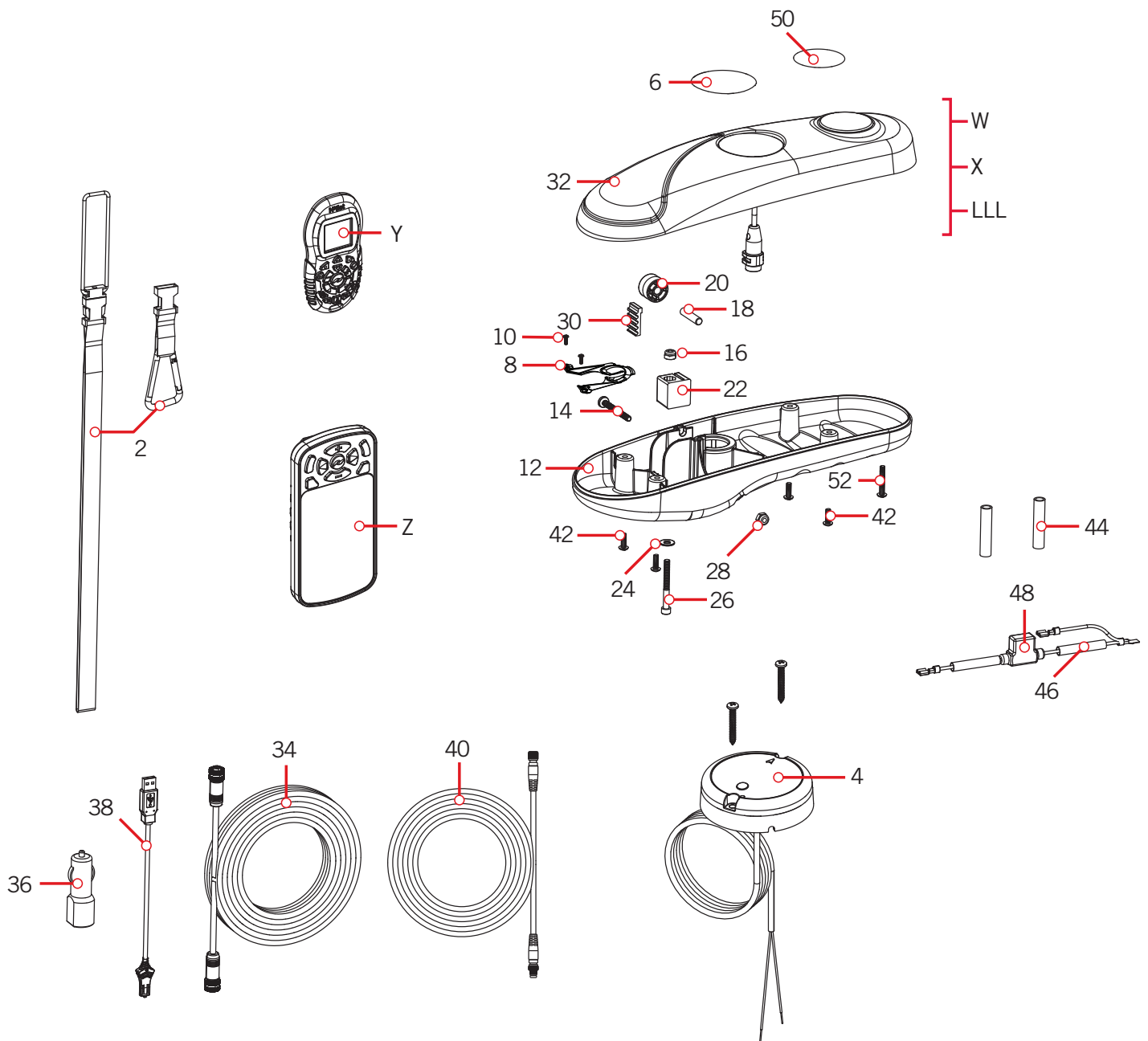
PARTS DIAGRAM & PARTS LIST

ULTERRA - 80/112 LBS THRUST - 24/36 VOLT - 45"/60"/72" SHAFT

The parts diagram and parts list provides Minn Kota® WEEE compliance disassembly instructions. For more information about where you should dispose of your waste equipment for recycling and recovery and/or your European Union member state requirements, please contact your dealer or distributor from which your product was purchased. Tools required, but not limited to: flat head screwdriver, Phillips screwdriver, socket set, pliers, wire cutters.

ULTERRA CONTROL HEAD >

> Control Head Parts Diagram



PARTS DIAGRAM & PARTS LIST

Control Head Parts List

Assembly	Part #	Description	Notes	Quantity
W	2774119	MOTOR KIT, iPILOT CONTROLLER 1.6 ULT	◆ *i-PILOT RECEIVER*	1
X	2774117	MOTOR KIT, iPLINK CONTROLLER 3.0 ULT	● *i-PILOT LINK RECEIVER*	1
Y	2994075	REMOTE ASSY, iPILOT 1.6	◆	1
Z	2994076	REMOTE ASSY, iPILOT LINK	●	1
LLL	2774115	iPILOT CONTROLLER 3.0 ULT/MSI	* ●	1
Item	Part #	Description	Notes	Quantity
2	2370817	LANYARD w/CARABINEER, IP REMOTE	◆ ●	1
4	2996400	HEADING SENSOR ASSEMBLY	◆ ●	1
6	2205534	DECAL-GENERIC, PUSH BTN TOP FW		1
	2205530	DECAL, PUSH BTN TOP, ULT 112 FW	*112LB THRUST*	1
	2205532	DECAL, PUSH BTN TOP, ULT 80 FW	*80LB THRUST*	1
8	2224706	PLUG, SCREW-DOWN, BLK		1
10	2372103	SCREW. #6 x 3/8 PLASTITE		2
12	2202506	CONTROL BOX BOTTOM, FW		1
14	2383407	SCREW-#10-24 X 2" PPH ZINC		1
16	2333101	NUT-HEX #10-24 UNC-2B NYL SS		1
18	2202635	PIN-DOWEL, 1/4" OD SS		1
20	2202335	PULLEY, BELT, TOP		1
22	2202800	BLOCK, BELT		1
24	2201721	WASHER-#10 SAE, SS		1
26	2203411	SCREW-#10-24, SHCS, SS, RIE 4606		1
28	2333101	NUT-HEX #10-24 UNC-2B NYL SS		1
30	2200800	BELT-RACK		1
32	2200208	CONTROL BOX COVER, FW		1
34	490389-1	CABLE, ETH (M12-M-M12-F, 30'	● *LINK*	1
36	2395900	ADAPTER, USB POWER PORT, HO, DC	●	1
38	2373241	CABLE, USB REMOTE CHARGER LINK	●	1
40	2211415	CABLE-EXTENSION, PD/AP 110"	+ *US2*	1
	490507-1	CABLE, ADP-INT MDI 14 M12-120"	➔ *MDI*	1
	490516-3	CABLE-INT MSI 14 M12-156" GRND	* *MSI*	1
42	2372100	SCREW-#8-18 X 5/8 THD* (SS		4
44	2065400	WIRE INSULATOR-LGE 1-3/4, BLUE		2
46	2375400	SHRINK TUBE-1/4OD X 1-3/4		2
48	2218201	FUSE HOLDER ASSEMBLY		1
50	2395545	DECAL, DOMED iPILOT FW	◆	1
	2395547	DECAL, DOMED iPILOT LINK FW	●	1

- ▲ Not shown on Parts Diagram.
- ◆ This part is included in an assembly and cannot be ordered individually.
- Only available with models factory installed with i-Pilot.
- Only available with models factory installed with i-Pilot Link.

- + Only available with models factory installed with Universal Sonar.
- ➔ Only available with models factory installed with Built-in MEGA Down Imaging.
- * Only available with models factory installed with Built-in MEGA Side Imaging.

PARTS DIAGRAM & PARTS LIST



Item	Part #	Description	Notes	Quantity
52	2203403	SCREW-#6 X 1.0 BRASS HI-LO		1
▲	2256300	TIE WRAP-5.5" BLACK		2
▲	2297165	MANUAL - DISCLAIMER, DOWNLOAD INFO		1
▲	2207111	MANUAL ULTERRA BT		1
▲	2397100	MANUAL, iPILOT 1.6		1
▲	2397106	GUIDE-QUICK REF, iPILOT 1.6		1
▲	2397102	MANUAL, iPILOT LINK 3.0		1
▲	2397107	GUIDE-QUICK REF, iPILOT 3.0		1
▲	2207113	MANUAL,INSTALL GUIDE, ULT.		1
▲	2394900	INSTRUCTIONS, HEADING SENSOR		1
▲	2207105	QUICK REFERENCE GUIDE - ULTERRA		1
▲	2015800	HANG TAG. "CAUTION...TILT HINGE"		1

- ▲ Not shown on Parts Diagram.
- ✘ This part is included in an assembly and cannot be ordered individually.
- ◆ Only available with models factory installed with i-Pilot.
- Only available with models factory installed with i-Pilot Link.

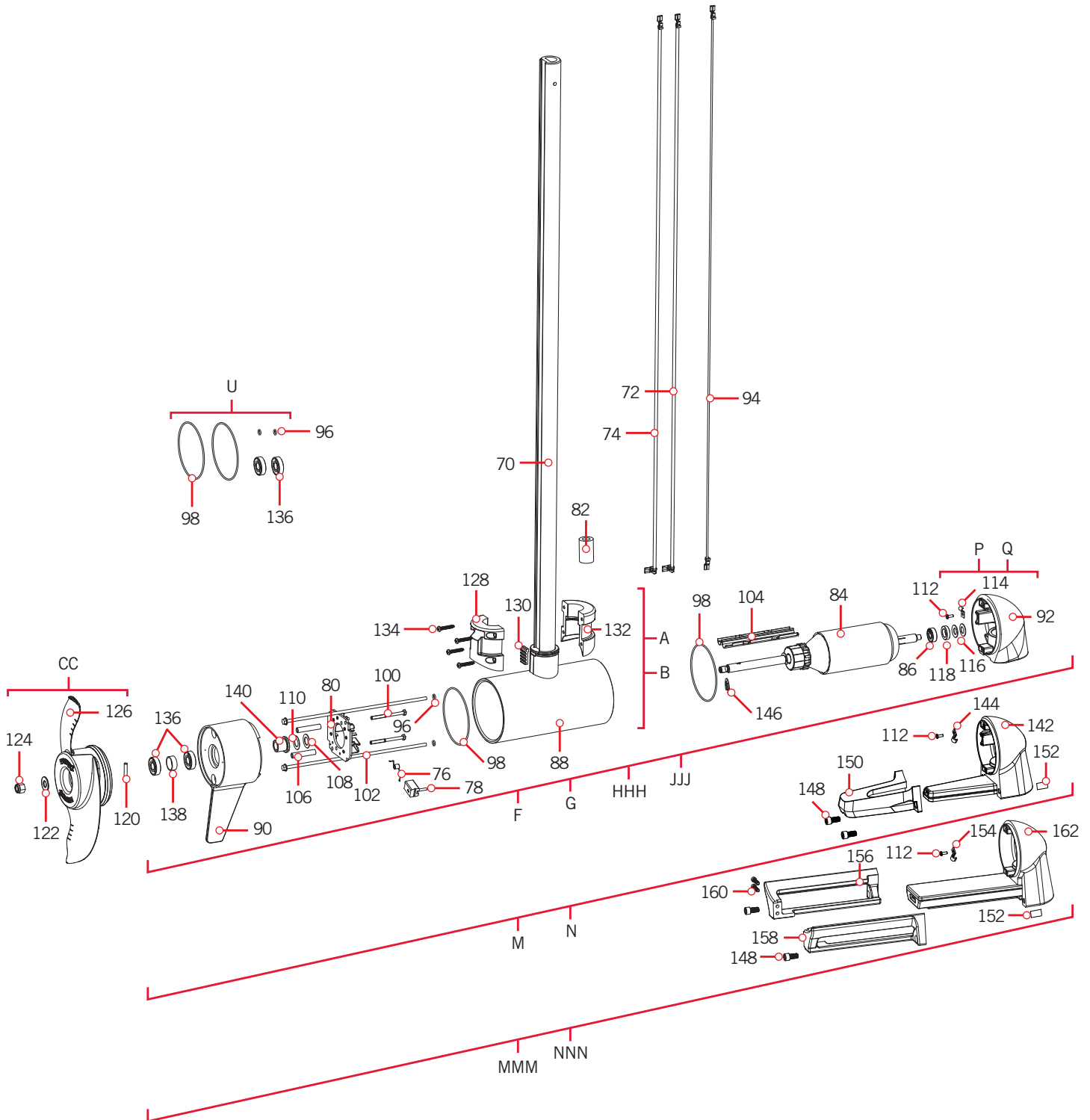
- ⊕ Only available with models factory installed with Universal Sonar.
- ➔ Only available with models factory installed with Built-in MEGA Down Imaging.
- * Only available with models factory installed with Built-in MEGA Side Imaging.



PARTS DIAGRAM & PARTS LIST

ULTERRA 24 VOLT 4" MOTOR >

> 24 Volt 4" Motor Parts Diagram



PARTS DIAGRAM & PARTS LIST

24 Volt 4" Motor Parts List

Assembly	Part #	Description	Notes	Quantity
A	2777098	CTR HSG ASY, CB, 80#, FW, 45" TUBE	*TUBE* *NOT FOR MDI MODELS*	1
B	2777099	CTR HSG ASY, CB, 80#, FW, 60" TUBE	*TUBE* *NOT FOR MDI MODELS*	1
F	2777016	MTR/TUBE ASSY 80# 45" US2	+ *MOTOR & TUBE*	1
G	2777015	MTR/TUBE ASSY 80# 60" US2	+ *MOTOR & TUBE*	1
CC	1378132	80# THRUST PROP KIT		1
P	9421-287	PLN END HSG/TRANSDUCER ASY 4.0	+ *80LB THRUST* *45*	1
Q	9421-290	PLN END HSG/TRANSDUCER ASY 4.0	+ *80LB THRUST* *60*	1
U	2889460	SEAL & O-RING KIT	*80LB THRUST*	1
M	2777136	MTR/TUBE ASM 80# 60" ULT/MDI BT	➔ *MOTOR & TUBE*	1
N	2777137	MTR/TUBE ASM 80# 45" ULT/MDI BT	➔ *MOTOR & TUBE*	1
HHH	2777008	MTR/TUBE 80# 45" ULT/US2-M	+ *MOTOR & TUBE* *M SKU* *A SKU*	1
JJJ	2777009	MTR/TUBE 80# 60" ULT/US2-M	+ *MOTOR & TUBE* *M SKU* *A SKU*	1
MMM	2777141	MTR/TUBE 80# 45" ULT/MSI BT	* *MOTOR & TUBE*	1
NNN	2777142	MTR/TUBE 80# 60" ULT/MSI BT	* *MOTOR & TUBE*	1
Item	Part #	Description	Notes	Quantity
70	✘	TUBE-COMP, BLK, 60", w/1/4" WALL n	*SEE B, JJJ OR G*	1
	✘	TUBE-CMP, BLK, 60", 1/4" WALL	*60in* *A SKU* *SEE G, JJJ OR M*	1
	✘	TUBE-COMP, BLK, 45", w/1/4" WALL	*SEE A, F, HHH OR N*	1
	✘	TUBE-CMP, BLK, 45", 1/4" WALL	*SEE A, F, HHH OR N*	1
	✘	TUBE-CMP, BLK, 45", 1/4", DI BORED	*SEE N*	1
	✘	TUBE-CMP, BLK, 60", 1/4", DI BORED	*SEE M*	1
▲	✘	SEAL, BUNG UPPER, FW		1
▲	✘	SEAL, BUNG LOWER		1
72	640-022	LEADWIRE BLK 10 AWG 72.5 XLP	*4* *80LB THRUST* *60*	1
	640-016	LEADWIRE BLK 10AWG 56 1/2 XLP	*4* *80LB THRUST* *45*	1
74	640-126	LEADWIRE RED 10AWG 71" XLP	*4* *80LB THRUST* *60*	1
	640-118	LEADWIRE RED 10 AWG 56 XLP	*4* *80LB THRUST* *45*	1
▲	✘	BRUSH HOLDER	*4* *80LB THRUST*	2
76	975-041	SPRING - TORSION	*4* *80LB THRUST*	2
78	188-094	BRUSH W/TERMINAL	*4* *80LB THRUST*	2
80	9-738-015	BRUSH PLATE-4" terminal	*4* *80LB THRUST*	1
82	✘	BEAD-FERRITE	*A SKU* *M SKU*	1
▲	✘	RIVET-.25"	*4* *80LB THRUST*	6
▲	2260730	CONNECTOR 1/4 MALE TAB QD	*4* *80LB THRUST*	2
84	2-100-214	ARM ASSY 24V 4" 80# (WW2)	*4* *80LB THRUST*	1

- ▲ Not shown on Parts Diagram.
- ✘ This part is included in an assembly and cannot be ordered individually.
- ◆ Only available with models factory installed with i-Pilot.
- Only available with models factory installed with i-Pilot Link.

- + Only available with models factory installed with Universal Sonar.
- ➔ Only available with models factory installed with Built-in MEGA Down Imaging.
- * Only available with models factory installed with Built-in MEGA Side Imaging.

PARTS DIAGRAM & PARTS LIST



Item	Part #	Description	Notes	Quantity
86	140-010	BEARING - BALL	*4* *80LB THRUST*	1
88	✘	CTR HSG ASY 4.0 FW -MGNTZ	*4* *80LB THRUST* *ASSEMBLY A OR B*	1
90	2-300-170	BRUSH END HSG ASY 4.0 FW	*4* *80LB THRUST*	1
92	✘	PLAIN END HSG-PNTD-4"US2.5 CB	✚ *4* *80LB THRUST* *ASSEMBLY P OR Q*	1
94	640-316	BONDING WIRE BROWN 18 AWG 71" GPT	*4* *80LB THRUST* *60*	1
	640-315	BONDING WIRE BROWN 18 AWG 62" GPT	*4* *80LB THRUST* *45*	1
96	701-009	O-RING	*THRU BOLT*	2
98	701-043	O-RING	*4* *80LB THRUST*	2
100	830-027	SCREW - SELF-THREAD 10-32X2.25	*4* *80LB THRUST*	2
102	830-095	THRU BOLT 12-24 x 9.79	*4* *80LB THRUST*	2
104	582-013	CLIP, RETAINING SHORT	*4* *80LB THRUST*	1
106	973-025	SPACER - BRUSHPLATE	*4* *80LB THRUST*	2
108	990-051	WASHER - STEEL THRUST		1
110	990-052	WASHER - NYLATRON		1
112	2302104	SCREW-#6-20 X 3/8 THD CUTS,RIE		1
114	230-038	CABLE CLAMP	✚ *US2*	1
116	992-010	WASHER - BELLEVILLE		2
118	990-045	SPACER - THRUST		1
120	2262658	PIN-DRIVE 1" X 3/16" S/S		1
122	2091701	WASHER-PROP (LARGE) MAX101		1
124	2093101	NUT-PROP,NYLOC,LG,MX101 3/8 SS		1
126	2331160	PROP-WW2 (4") w/ADP.RING		1
128	2201505	COLLAR, BELT CLAMP		1
130	2200800	BELT-RACK, LOWER		1
132	2201500	COLLAR, CLAMP		1
134	3393480	SCREW-#10 X 1.0" PPH HI-LO SS		4
136	888-025	SEAL		2
138	725-095	PAPER TUBE		1
140	144-017	BEARING		1
142	✘	PLAIN END HOUSING PAINTED 4.0 DI	➔	1
144	230-039	CABLE CLAMP	➔ *MDI*	1
146	788-040	RETAINING RING		1
148	830-110	SCREW 5-16 - 18 X 5/8 SHCS SS	➔ *	2
150	792-001	GUARD TRANSDUCER, PNT 4.0 DI	➔	1
152	2006621	DECAL-LOWER UNIT, MDI	➔ *	1
154	230-040	CABLE CLAMP, 1/4" STEEL	*	1
156	792-015	GUARD, TRANSDUCER PNT 4.5 SI RIGHT	*	1

- ▲ Not shown on Parts Diagram.
- ✘ This part is included in an assembly and cannot be ordered individually.
- ◆ Only available with models factory installed with i-Pilot.
- Only available with models factory installed with i-Pilot Link.

- ✚ Only available with models factory installed with Universal Sonar.
- ➔ Only available with models factory installed with Built-in MEGA Down Imaging.
- * Only available with models factory installed with Built-in MEGA Side Imaging.



PARTS DIAGRAM & PARTS LIST



Item	Part #	Description	Notes	Quantity
158	792-016	GUARD, TRANSDUCER, PNT 4.5 SI LEFT	*	1
160	2063410	SCREW-#10-32 X 3/4" CAP SS	*	2
162	✘	PLN END HSG/TRNDCR 4.0 MSI ASM	*	1

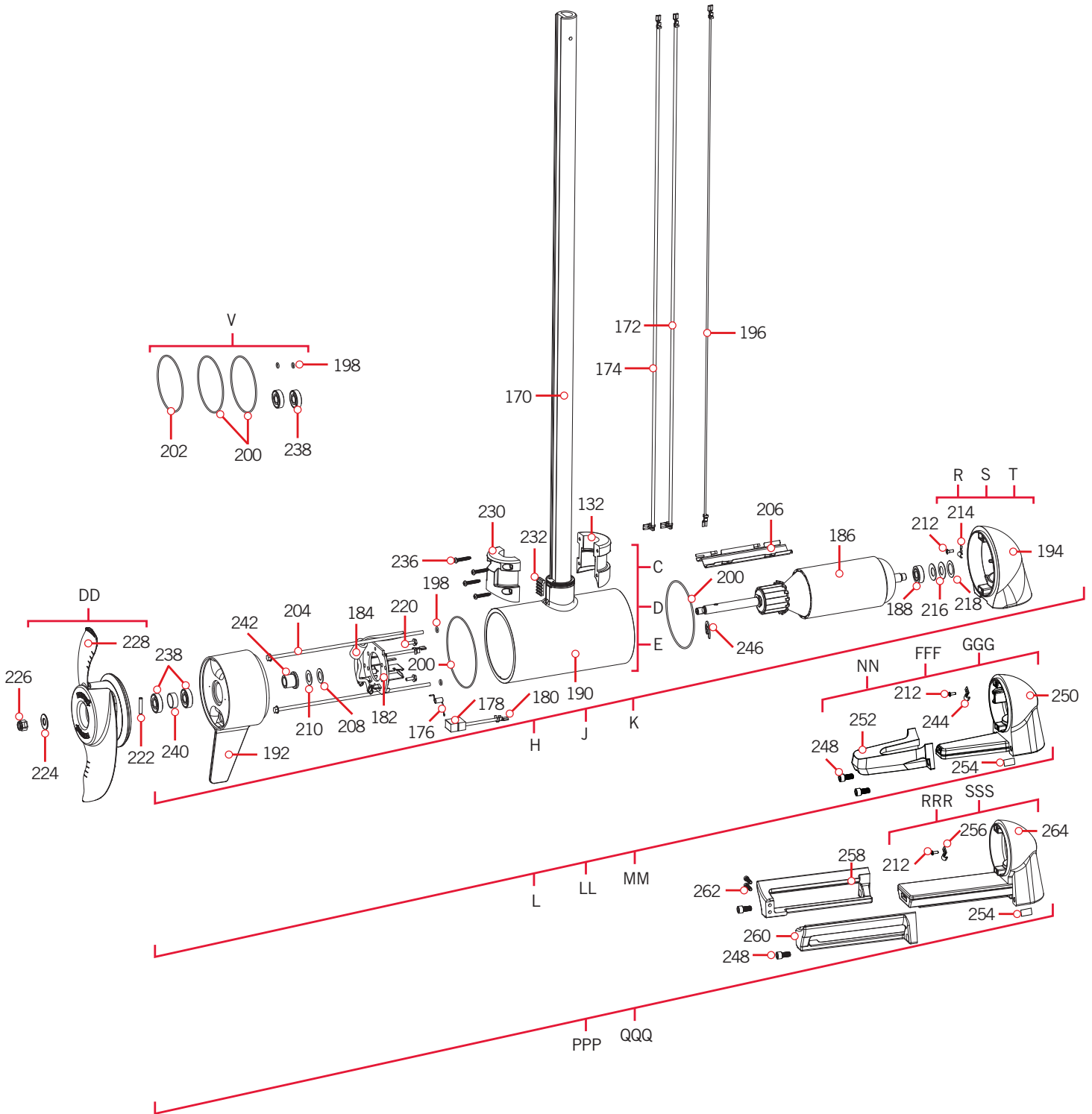
- ▲ Not shown on Parts Diagram.
- ✘ This part is included in an assembly and cannot be ordered individually.
- ◆ Only available with models factory installed with i-Pilot.
- Only available with models factory installed with i-Pilot Link.

- ⊕ Only available with models factory installed with Universal Sonar.
- ➔ Only available with models factory installed with Built-in MEGA Down Imaging.
- * Only available with models factory installed with Built-in MEGA Side Imaging.

PARTS DIAGRAM & PARTS LIST

ULTERRA 36 VOLT 4.5" MOTOR

36 Volt 4.5" Motor Parts Diagram



PARTS DIAGRAM & PARTS LIST

36 Volt 4.5" Motor Parts List

Assembly	Part #	Description	Notes	Quantity
C	2777248	CTR HSG ASY, CB, 112#, FW, 45" TUBE	*TUBE*	1
D	2777249	CTR HSG ASY, CB, 112#, FW, 60" TUBE	*TUBE*	1
E	2777250	CTR HSG ASY, CB, 112#, FW, 72" TUBE	*TUBE*	1
H	2777086	MTR/TUBE ASSY 112# 45" US2	+ *MOTOR & TUBE*	1
J	2777085	MTR/TUBE ASSY 112# 60" US2	+ *MOTOR & TUBE*	1
K	2777087	MTR/TUBE ASSY 112# 72" US2	+ *MOTOR & TUBE*	1
DD	1378160	112# THRUST PROP KIT		1
R	9421-244	PLN END HSG/TRANDUCER ASY 4.5	+ *112LB THRUST* *45*	1
S	9421-246	PLN END HSG/TRANDUCER ASY 4.5	+ *112LB THRUST* *60*	1
T	9421-247	PLN END HSG/TRANDUCER ASY 4.5	+ *112LB THRUST* *72*	1
V	2881450	SEAL & O-RING KIT 112	*112LB THRUST*	1
L	2777157	MTR/TUBE ASM 112#45"ULT/MDI BT	➔ *MOTOR & TUBE*	1
LL	2777155	MTR/TUBE ASM 112#72"ULT/MDI BT	➔ *MOTOR & TUBE*	1
MM	2777156	MTR/TUBE ASM 112#60"ULT/MDI BT	➔ *MOTOR & TUBE*	1
NN	2773002	PLN END HSG/TRNDCCR 4.5 MDI	➔ *112LB THRUST* *45"*	1
FFF	2773005	PLN END HSG/TRNDCCR 4.5 MDI	➔ *112LB THRUST* *72"*	1
GGG	2773006	PLN END HSG/TRNDCCR 4.5 MDI	➔ *112LB THRUST* *60"*	1
PPP	2777158	MTR/TUBE ASM 112# 60" ULT/MSI BT	* *MOTOR & TUBE*	1
QQQ	2777159	MTR/TUBE ASM 112# 72" ULT/MSI BT	* *MOTOR & TUBE*	1
RRR	2993016	PLN END HSG/TRNDUCER 4.5 MSI ASM	* *60"*	1
SSS	2993017	PLN END HSG/TRNDUCER 4.5 MSI ASM	* *72"*	1
Item	Part #	Description	Notes	Quantity
170	✘	TUBE-COMP,BLK,60", w/1/4" WALL	*SEE D, J OR MM*	1
	✘	TUBE-COMP,BLK,45", w/1/4" WALL	*SEE C, H OR L*	1
	✘	TUBE-COMP,BLK,72",w/1/4" WALL	*SEE E, LL OR K*	1
▲	✘	SEAL,BUNG UPPER,FW		1
▲	✘	SEAL,BUNG LOWER		1
172	640-045	LEADWIRE BLK 10AWG 76 1/2" GPT	*4.5* *112LB THRUST* *60*	1
	640-049	LEADWIRE BLK 10AWG 88.50" GPT	*4.5* *112LB THRUST* *72*	1
	640-040	LEADWIRE BLK 10AWG 62 1/4" GPT	*4.5* *112LB THRUST* *45*	1
174	640-145	LEADWIRE RED 10AWG 75 7/8" GPT	*4.5* *112LB THRUST* *60*	1
	640-149	LEADWIRE RED 10AWG 88" GPT	*4.5* *112LB THRUST* *72*	1
	640-140	LEADWIRE RED 10AWG 61 1/2" GPT	*4.5* *112LB THRUST* *45*	1
▲	✘	BRUSH HOLDER	*4.5* *112LB THRUST*	2
176	975-045	SPRING-TORSION	*4.5* *112LB THRUST*	2
178	188-095	BRUSH	*4.5* *112LB THRUST*	2

- ▲ Not shown on Parts Diagram.
- ✘ This part is included in an assembly and cannot be ordered individually.
- ◆ Only available with models factory installed with i-Pilot.
- Only available with models factory installed with i-Pilot Link.

- + Only available with models factory installed with Universal Sonar.
- ➔ Only available with models factory installed with Built-in MEGA Down Imaging.
- * Only available with models factory installed with Built-in MEGA Side Imaging.

PARTS DIAGRAM & PARTS LIST



Item	Part #	Description	Notes	Quantity
180	2260731	TERMINAL 1/4" MALE TAB-THREE	*4.5* *112LB THRUST*	2
182	738-011	BRUSH PLATE	*4.5* *112LB THRUST*	1
184	2307312	BEAD-FERRITE	*A SKU* *M SKU* *4.5* *112LB THRUST*	1
186	2-100-245	ARMATURE ASY 4.5"LWR UNIT	*4.5* *112LB THRUST*	1
188	140-014	BEARING-BALL 6000	*4.5* *112LB THRUST*	1
190	✘	CTR HSG ASY 4.5" MAG FW CB TER	*4.5* *112LB THRUST* *ASSEMBLY C, D OR E*	1
192	2-300-155	BRUSH END HSG ASY 4.5" FW	*4.5* *112LB THRUST*	1
194	✘	PLN END HSG 4.5" US2.5 PNT FW	✚ *4.5* *112LB THRUST* *ASSEMBLY R, S OR T*	1
196	640-317	BONDING WIRE BROWN 18 AWG 86" GPT	*4.5* *112LB THRUST* *72*	1
	640-315	BONDING WIRE BROWN 18 AWG 62" GPT	*4.5* *112LB THRUST* *45*	1
198	701-009	O-RING	*THRU BOLT*	2
200	701-098	O-RING, 98MM X 2MM	*4.5* *112LB THRUST*	2
202	701-103	O-RING,103MM X 3.00MM, 70 BUNA	*4.5* *112LB THRUST*	1
204	830-094	THRU BOLT 12-24 X10.31	*4.5* *112LB THRUST*	2
206	582-016	CLIP-RETAINING, SONAR	*4.5* *112LB THRUST*	1
208	990-051	WASHER - STEEL THRUST		1
210	990-052	WASHER - NYLATRON		1
212	2302104	SCREW-#6-20 X 3/8 THD CUTS,RIE		1
214	230-038	CABLE CLAMP	✚ *US2*	1
216	992-011	WASHER-BELLEVILLE	*4.5* *112LB THRUST*	2
218	990-011	WASHER-SHIM OD 1",ID.630"SS	*4.5* *112LB THRUST*	1
220	2053410	SCREW-#8-32 X 1/2 TRI-LOBE HEX	*4.5* *112LB THRUST*	2
222	2262658	PIN-DRIVE 1" X 3/16" S/S		1
224	2091701	WASHER-PROP (LARGE) MAX101		1
226	2093101	NUT-PROP,NYLOC,LG,MX101 3/8 SS		1
228	2341160	PROP-WW2 (4.5) w/ADP.RING		1
230	2201505	COLLAR, BELT CLAMP		1
232	2200800	BELT-RACK, LOWER		1
234	2201500	COLLAR, CLAMP		1
236	3393480	SCREW-#10 X 1.0" PPH HI-LO SS		4
238	888-025	SEAL		2
240	725-095	PAPER TUBE		1
242	144-017	BEARING		1
244	230-039	CABLE CLAMP	➔ *MDI*	1
246	788-040	RETAINING RING		1
248	830-110	SCREW 5-16 - 18 X 5/8 SHCS SS	➔ *	2
250	✘	PLAIN END HOUSING, PNT 4.5 DI	➔ *SEE NN, FFF OR GGG*	1

- ▲ Not shown on Parts Diagram.
- ✘ This part is included in an assembly and cannot be ordered individually.
- ◆ Only available with models factory installed with i-Pilot.
- Only available with models factory installed with i-Pilot Link.

- ✚ Only available with models factory installed with Universal Sonar.
- ➔ Only available with models factory installed with Built-in MEGA Down Imaging.
- * Only available with models factory installed with Built-in MEGA Side Imaging.



PARTS DIAGRAM & PARTS LIST



Item	Part #	Description	Notes	Quantity
252	792-005	GUARD TRANSDUCER, PNT 4.5 DI	➔	1
254	2006621	DECAL-LOWER UNIT, MDI	➔ *	1
256	230-040	CABLE CLAMP, 1/4" STEEL	* *US2*	1
258	792-015	GUARD, TRANSDUCER PNT 4.5 SI RIGHT	*	1
260	792-016	GUARD, TRANSDUCER, PNT 4.5 SI LEFT	*	1
262	2063410	SCREW-#10-32 X 3/4" CAP SS	*	2
264	✘	PLN END HSG/TRNDCR 4.0 MSI ASM	*	1

- ▲ Not shown on Parts Diagram.
- ✘ This part is included in an assembly and cannot be ordered individually.
- ◆ Only available with models factory installed with i-Pilot.
- Only available with models factory installed with i-Pilot Link.

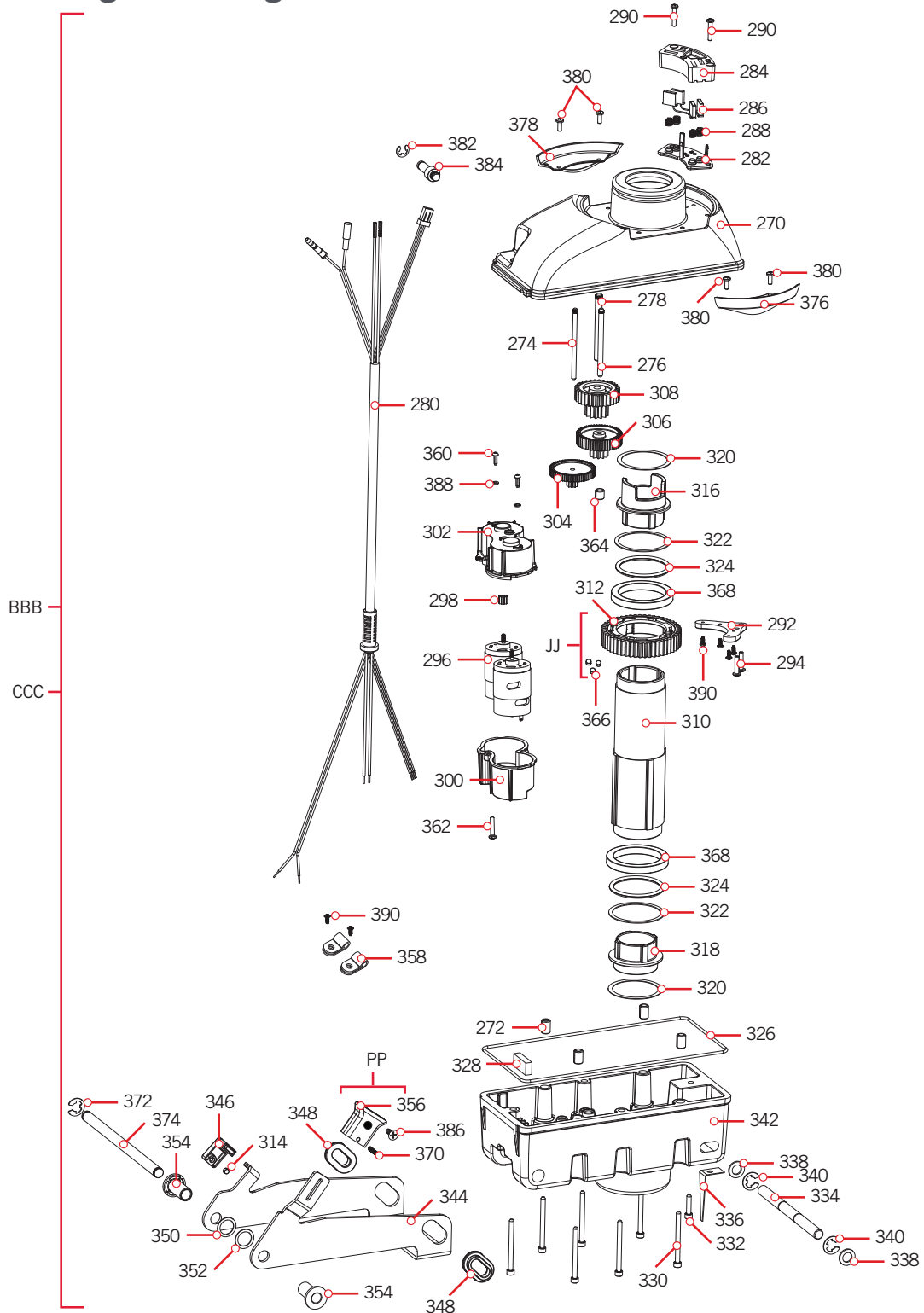
- ⊕ Only available with models factory installed with Universal Sonar.
- ➔ Only available with models factory installed with Built-in MEGA Down Imaging.
- * Only available with models factory installed with Built-in MEGA Side Imaging.



PARTS DIAGRAM & PARTS LIST

ULTERRA STEERING HOUSING

Steering Housing Parts Diagram



PARTS DIAGRAM & PARTS LIST

Steering Housing Parts List

Assembly	Part #	Description	Notes	Quantity
BBB	2996521	ASM, STEERING 24V	*80LB THRUST*	1
CCC	2996522	ASM, STEERING 36V	*112 LB THRUST*	1
JJ	2772200	OUTPUT GEAR W/MAGNETS		1
PP	2770100	RELEASE KNOB WITH SCREW KIT		1
Item	Part #	Description	Notes	Quantity
270	✘	STEERING HSG COVER FW BLK	*SEE BBB OR CCC*	1
272	✘	PIN-ROLL 5/16" X 1/2"	*SEE BBB OR CCC*	4
274	✘	SHAFT-GEAR, FIRST CLUSTER	*SEE BBB OR CCC*	1
276	✘	SHAFT-GEAR,INTERMED.CLUSTER	*SEE BBB OR CCC*	1
278	✘	SHAFT-GEAR, THIRD CLUSTER	*SEE BBB OR CCC*	1
280	✘	LEADWIRE,STEERING MTR, 8 COND.	*SEE BBB OR CCC*	1
282	✘	INSULATOR, BLOCK-BRUSH	*SEE BBB OR CCC*	1
284	✘	BLOCK-BRUSH, SLIPRING	*SEE BBB OR CCC*	1
286	✘	BRUSH SHUNT ASSEMBLY	*SEE BBB OR CCC*	2
288	✘	BUMPER BRUSH BLOCK	*SEE BBB OR CCC*	4
290	2203408	SCREW-#6-32 X .75" PPH, NYLON		2
292	2201920	BRACKET-SENSOR, STEERING HSG		1
294	2303412	SCREW-#6-20 X 5/8 SELF TAP		2
296	✘	MOTOR, STEERING 36V FW T2	*112LB THRUST* *SEE CCC*	1
	✘	MOTOR, STEERING 24V T2	*80LB THRUST* *SEE BBB*	1
298	2322215	GEAR-PINION, DR.HSG, STAGE 1		1
300	2322520	CASE-MOTOR,STRG HSG,TOP		1
302	2322525	CASE-MOTOR,STRG HSG,BTM		1
304	2322210	GEAR & PINION, DR.HSG, STAGE 2		1
306	2302250	GEAR & PINION,DR. HSG, STAGE 3		1
308	2302255	GEAR & PINION,DR. HSG, STAGE 4		1
310	2322030	TUBE-OUTPUT, MACHINED		1
312	2322200	GEAR-OUTPUT		1
314	✘	MAGNET-.187X.125 NCKL PLT(N/A)	*SEE 346*	1
316	2201510	COLLAR-DRIVE, OUTPUT TUBE		1
318	2321510	COLLAR-DRIVE,BOTTOM		1
320	2321704	WASHER-THRUST, STEERING		2
322	2321720	SHIM,O-RING		2
324	2324608	O-RING,224,STR HSG		2
326	2324604	O-RING, CASE SEAL		1
328	2308601	BREATHER FILTER, DR.HOUSING		1

- ▲ Not shown on Parts Diagram.
- ✘ This part is included in an assembly and cannot be ordered individually.
- ◆ Only available with models factory installed with i-Pilot.
- Only available with models factory installed with i-Pilot Link.

- +
 - ➔
 - *
- Only available with models factory installed with Universal Sonar.
 Only available with models factory installed with Built-in MEGA Down Imaging.
 Only available with models factory installed with Built-in MEGA Side Imaging.

PARTS DIAGRAM & PARTS LIST



Item	Part #	Description	Notes	Quantity
330	2323408	SCREW-#8-32 X 2.0 SHCS SS		7
332	2323410	SCREW-#8-32 X .75 SHCS SS		1
334	2202626	PIN-LATCH, SS		1
336	2322702	SPRING, LATCH PIN SS		2
338	2321702	WASHER-FLAT .375 NYLON		2
340	2263011	E-RING 3/8 DIA. SHAFT*		2
342	✘	HOUSING-STEERING, BTM, FW	*SEE BBB OR CCC*	1
344	2201910	BRACKET, TILT, ZP		1
346	2208600	HOLDER-MAGNET w/MAGNET		1
348	2207305	BUSHING, LATCH PIN		2
350	2201730	WASHER-FLAT, .56 ID NYLON	*BLACK*	1
352	2201731	WASHER-FLAT, NYLON	*WHITE*	1
354	2207310	BUSHING,STEERING HSG, PIVOT		2
356	2200100	KNOB, TILT RELEASE		1
358	2052510	CABLE CLAMP, 3/16", NYLON		2
360	2053422	SCREW-M3-.5 X 10 PPH, ZPS		2
362	2043412	SCREW-#8-18 X 3/4 TY AB SS PPH		1
364	2321730	SPACER,GEAR CLUSTER,STEER HSG		1
▲	✘	HOUSING, CONNECTOR WPJ		1
366	✘	MAGNET-.187X.125 NCKL PLT(N/A)	*SEE JJ*	3
368	2327308	BEARING-BALL,SEALED,6809-2RS		2
370	2383463	SCREW-#6-32 X .625"SET SS		1
372	2263011	E-RING 3/8 DIA. SHAFT*		1
374	2202601	PIN-PIVOT, DRIVEHOUSING, ZP		1
376	2205905	ADAPTER, STEERING HSG RIGHT		1
378	2205900	ADAPTER, STEERING HSG LEFT		1
380	2332103	SCREW-#6-20 X 3/8 THD*(SS)		4
382	2263006	E-RING, 5/16, S/S GAS ASSIST		1
384	2202902	STANDOFF, OIL DAMPENER		1
386	2203407	SCREW-#6-32 X .625" PFH, SS		1
388	2051710	SPLIT LOCK WASHER 3MM		4
390	2373440	SCREW-#4-24 X 1/4 PHCR SS		6

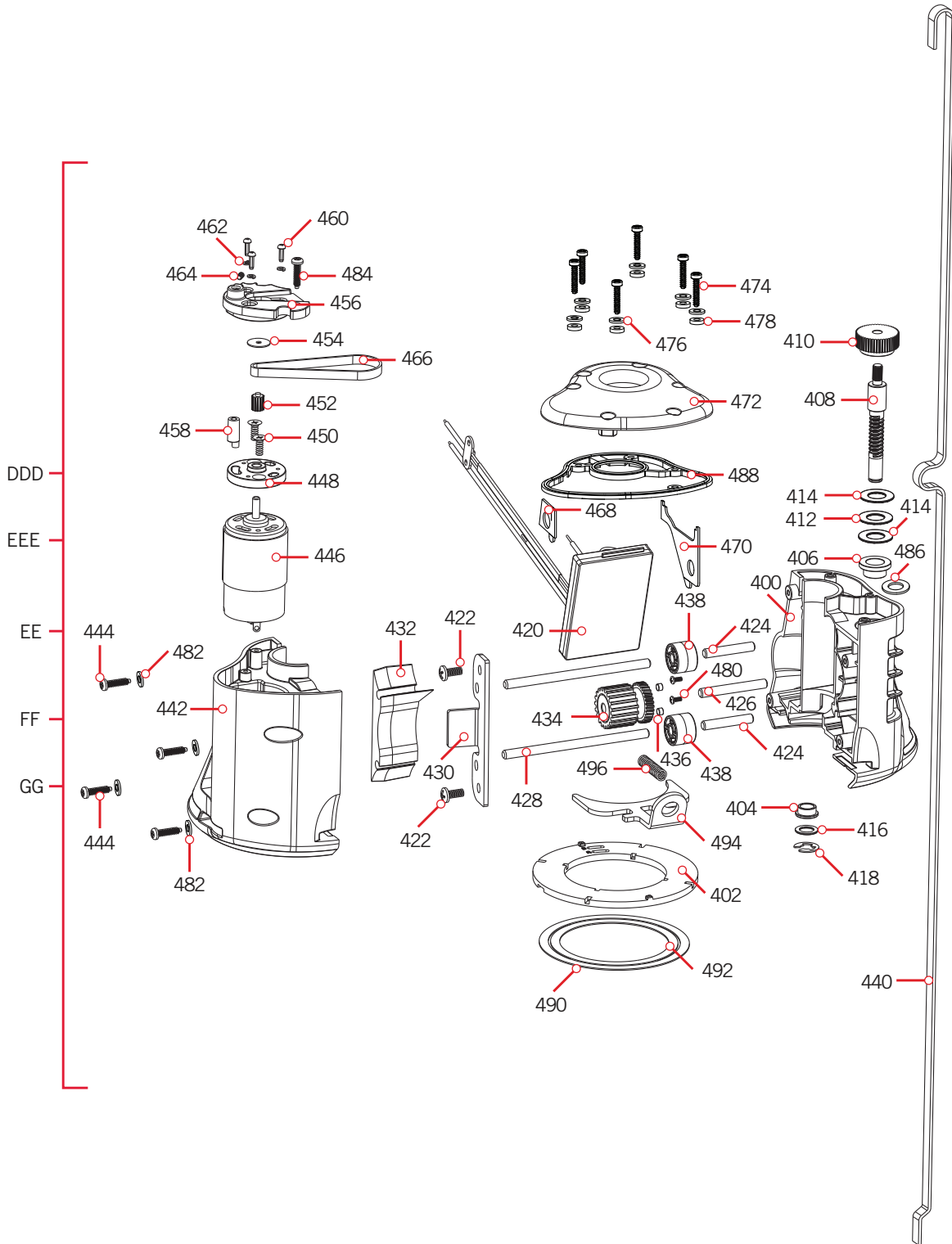
- ▲ Not shown on Parts Diagram.
- ✘ This part is included in an assembly and cannot be ordered individually.
- ◆ Only available with models factory installed with i-Pilot.
- Only available with models factory installed with i-Pilot Link.

- ⊕ Only available with models factory installed with Universal Sonar.
- ➔ Only available with models factory installed with Built-in MEGA Down Imaging.
- * Only available with models factory installed with Built-in MEGA Side Imaging.



ULTERRA TRIM HOUSING >

> Trim Housing Parts Diagram



PARTS DIAGRAM & PARTS LIST

Trim Housing Parts List

Assembly	Part #	Description	Notes	Quantity
DDD	2887802	ASSY,TRIM MODULE, FW, 60"		1
EEE	2887820	ASSY,TRIM MODULE, FW, 72"		1
EE	2887807	ASSY,TRIM MODULE, FW, 45"		1
FF	2887827	ASSY,TRIM MOD "M",FW, 45"	*M SKU*	1
GG	2887823	ASSY,TRIM MOD "M",FW, 60"	*M SKU*	1
Item	Part #	Description	Notes	Quantity
400	✘	HOUSING-TRIM, GEAR SIDE	*SEE DDD, EEE, EE, FF OR GG*	1
402	✘	CARRIER, SLIPRING CONTACTS	*SEE DDD, EEE, EE, FF OR GG*	1
404	✘	BUSHING, TRIM, BOTTOM	*SEE DDD, EEE, EE, FF OR GG*	1
406	✘	BUSHING-HAT 1/2"SHFT BRNZ	*SEE DDD, EEE, EE, FF OR GG*	1
408	✘	SHAFT-WORM	*SEE DDD, EEE, EE, FF OR GG*	1
410	✘	PULLEY, TRIM JACKSHAFT, MACH.	*SEE DDD, EEE, EE, FF OR GG*	1
412	✘	BEARING-THRUST, NEEDLE	*SEE DDD, EEE, EE, FF OR GG*	1
414	✘	WASHER-THRUST, 1/2"	*SEE DDD, EEE, EE, FF OR GG*	2
416	✘	WASHER-THRUST, 3/8"	*SEE DDD, EEE, EE, FF OR GG*	1
418	✘	E-RING 3/8 DIA. SHAFT*	*SEE DDD, EEE, EE, FF OR GG*	1
420	✘	BOARD ASSY, WIRELESS TRIM	*SEE DDD, EEE, EE, FF OR GG*	1
	✘	BOARD ASSY, WIRELESS TRIM "M"	*SEE DDD, EEE, EE, FF OR GG*	1
422	✘	SCREW-#4-24 X 1/4 PHCR SS TY B	*SEE DDD, EEE, EE, FF OR GG*	2
424	✘	PIN, BELT PULLEY	*SEE DDD, EEE, EE, FF OR GG*	2
426	✘	PIN, 2' X 1/4"	*SEE DDD, EEE, EE, FF OR GG*	1
428	✘	PIN-DOWEL, 1/8"	*SEE DDD, EEE, EE, FF OR GG*	2
430	✘	BRACKET, DRIVE BLOCK	*SEE DDD, EEE, EE, FF OR GG*	1
432	✘	BLOCK, TUBE DRIVE	*SEE DDD, EEE, EE, FF OR GG*	1
434	✘	GEAR/PULLEY-WORM, CLUSTER ASM	*SEE DDD, EEE, EE, FF OR GG*	1
▲	✘	MAGNET-.187X.125 NCKL PLT(N/A)	*SEE 434*	2
438	✘	PULLEY, BELT, TOP	*SEE DDD, EEE, EE, FF OR GG*	2
440	2770816	BELT-LIFT 45"		1
	2770818	BELT-LIFT 60"		1
	2770819	BELT-LIFT 72"		1
442	✘	HOUSING-TRIM, MOTOR SIDE	*SEE DDD, EEE, EE, FF OR GG*	1
444	✘	SCREW -4MM DELTA PT SS	*SEE DDD, EEE, EE, FF OR GG*	4
446	✘	MOTOR, TRIM	*SEE DDD, EEE, EE, FF OR GG*	1
448	✘	PLATE-ADAPTER, LIFT MOTOR	*SEE DDD, EEE, EE, FF OR GG*	1
450	✘	SCREW-M4 X 10 PFH, ZP	*SEE DDD, EEE, EE, FF OR GG*	2
452	✘	PULLEY, LIFT MOTOR, MACHINED	*SEE DDD, EEE, EE, FF OR GG*	1

- ▲ Not shown on Parts Diagram.
- ✘ This part is included in an assembly and cannot be ordered individually.
- ◆ Only available with models factory installed with i-Pilot.
- Only available with models factory installed with i-Pilot Link.

- ⊕ Only available with models factory installed with Universal Sonar.
- ➔ Only available with models factory installed with Built-in MEGA Down Imaging.
- * Only available with models factory installed with Built-in MEGA Side Imaging.

PARTS DIAGRAM & PARTS LIST



Item	Part #	Description	Notes	Quantity
454	✘	WASHER-#6, .625 OD, ZP STEEL	*SEE DDD, EEE, EE, FF OR GG*	1
456	✘	PLATE-MOTOR	*SEE DDD, EEE, EE, FF OR GG*	1
458	2058411	TENSIONER-BELT		1
460	2053422	SCREW-M3-.5 X 10 PPH, ZPS		3
462	2051710	LOCKWASHER-SPLIT, 3MM, ZP		3
464	2053420	SCREW-SET-#8-32 X 1/4" S/S		1
466	2200810	BELT-TRIM		1
468	2206914	GASKET, TRIM HSG ASM, LFT, BLK		1
470	2206915	GASKET, TRIM HSG ASM, RIGHT BLK		1
472	2206410	COVER, TRIM HOUSING		1
474	2203401	SCREW -4MM DELTA PT SS		6
476	3391732	WASHER, SEALING		6
478	3394602	WASHER-FLAT #8 SS		6
480	2373440	SCREW-#4-24 X 1/4 PHCR SS		2
482	3394602	#8 FLAT WASHER SS		4
484	2203401	SCREW-4MM DELTA PT SS		1
486	✘	O-RING, 014-BUNA N, ULTERRA		1
488	2206911	GASKET, TRIM HOUSING ASSEMBLY BLK		1
490	✘	RING-CONTACT, SLIPRING LARGE	*SEE DDD, EEE, EE, FF OR GG*	1
492	✘	RING-CONTACT, SLIPRING SMALL	*SEE DDD, EEE, EE, FF OR GG*	1
494	✘	HANDLE, TRIM HSG RELEASE, ZP	*SEE DDD, EEE, EE, FF OR GG*	1
496	✘	SPRING-5/16" OD, SS	*SEE DDD, EEE, EE, FF OR GG*	1

- ▲ Not shown on Parts Diagram.
- ✘ This part is included in an assembly and cannot be ordered individually.
- ◆ Only available with models factory installed with i-Pilot.
- Only available with models factory installed with i-Pilot Link.

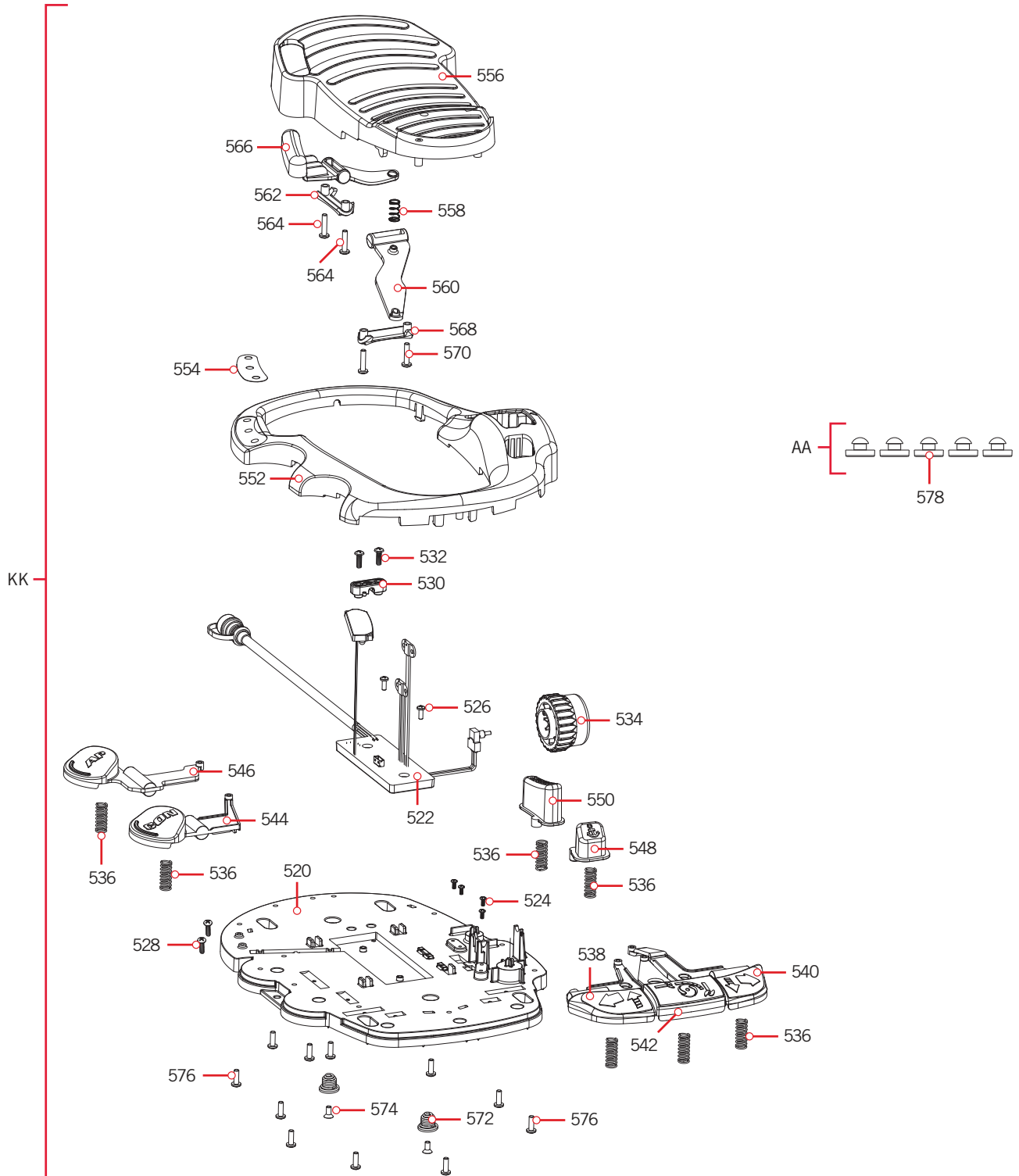
- ⊕ Only available with models factory installed with Universal Sonar.
- ➔ Only available with models factory installed with Built-in MEGA Down Imaging.
- * Only available with models factory installed with Built-in MEGA Side Imaging.



PARTS DIAGRAM & PARTS LIST

ULTRERA FOOT PEDAL

Foot Pedal Parts Diagram



PARTS DIAGRAM & PARTS LIST

Foot Pedal Parts List

Assembly	Part #	Description	Notes	Quantity
KK	2994741	FOOT PEDAL ASSY, ULTERRA		1
AA	2994859	BAG ASY-TERROVA/V2,RUB.BUMPERS		1
Item	Part #	Description	Notes	Quantity
520	2204500	BASE PLATE-ULTERRA / TERROVA		1
522	✘	PCB ASSY, ULTERRA	*SEE KK*	1
524	2373440	SCREW-#4-24 X 1/4 PHCR SS TY B		6
526	2332103	SCREW-#6-20 X 3/8 THD*(SS)		2
528	2302100	SCREW-#6-20 X 1/2 THD CUTS		2
530	2322900	STRAIN RELIEF, FOOT PEDAL		1
532	2372100	SCREW-#8-18 X 5/8 THD* (SS)		2
534	2320100	KNOB-SPEED, FOOT PEDAL		1
536	2322704	SPRING, LARGE SHORT SS		7
538	2203710	BUTTON,LFT STR w/TRIM UP ARROW		1
540	2203711	BUTTON,RGT STR w/TRIM UP ARROW		1
542	2203715	BUTTON, MOMENTARY/STOW-DEPLOY		1
544	2323715	BUTTON,MOM/CON,FT PEDAL		1
546	2323725	BUTTON,AP,FT PEDAL		1
548	2203720	BUTTON, SPOT LOCK,ULTERRA/TRRV		1
550	2203725	BUTTON, MODE, ULTERRA		1
552	2200200	COVER,HEEL TOE FOOT PEDAL		1
554	2205605	DECAL, 3 INDICATORS, ULTERRA		1
556	2324401	PEDAL,HEEL/TOE FOOT PEDAL		1
558	2322714	SPRING (LEE #LC-029E-4-S) SS		1
560	2328600	FLEX FINGER, FOOT PEDAL		1
562	2321300	CLAMP-LEFT, FT PEDAL		1
564	2223430	SCREW-#8x3/4 PPH,TYPE 25,SS		2
566	2323710	BUTTON,MOM LEFT,FT PEDAL		1
568	2321300	CLAMP-LEFT, FT PEDAL		1
570	2223430	SCREW-#8x3/4 PPH,TYPE 25,SS		2
572	2322706	SPRING-BARREL SS		2
574	2323420	SCREW-#8-18 X 3/8" PFH SS TY B		2
576	2301310	SCREW-#8-18 X 1/2 (SS)*		11
578	2325110	PAD, FOOTPEDAL		5

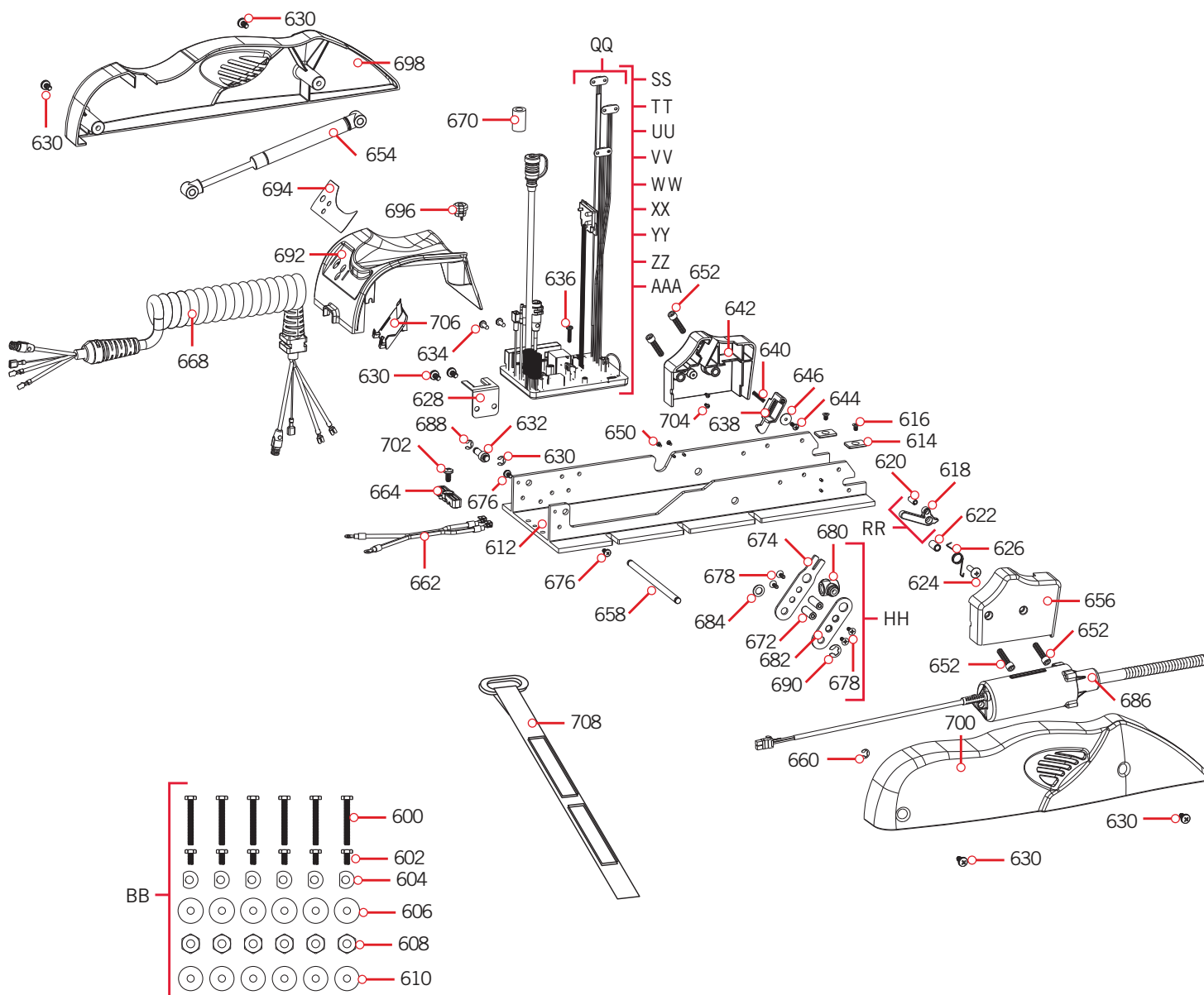
- ▲ Not shown on Parts Diagram.
- ✘ This part is included in an assembly and cannot be ordered individually.
- ◆ Only available with models factory installed with i-Pilot.
- Only available with models factory installed with i-Pilot Link.

- ✚ Only available with models factory installed with Universal Sonar.
- ➔ Only available with models factory installed with Built-in MEGA Down Imaging.
- * Only available with models factory installed with Built-in MEGA Side Imaging.

PARTS DIAGRAM & PARTS LIST

ULTRERA MOUNT >

> Mount Parts Diagram



PARTS DIAGRAM & PARTS LIST

Mount Parts List

Assembly	Part #	Description	Notes	Quantity
BB	2994917	BAG ASSY, ULTERRA MTG HARDWARE		1
QQ	2880350	SENSOR WIRE W/BUTT CONNECTORS		1
RR	2777900	CAM W/MAGNET, SPRING PIN		1
SS	2774080	MAIN CTRL BD, US/AU/CA, 24V, 60"	*80LB THRUST* *60*	1
TT	2774081	MAIN CTRL BD, US/AU/CA, 24V, 45"	*80LB THRUST* *45*	1
UU	2774082	MAIN CTRL BD, US/AU/CA, 36V, 60"	*112LB THRUST* *60*	1
VV	2774083	MAIN CTRL BD, US/AU/CA, 36V, 45"	*112LB THRUST* *45*	1
WW	2774084	MAIN CTRL BD, EUR, 24V, 60"	*80LB THRUST* *60* *M SKU EUROPE*	1
XX	2774085	MAIN CTRL BD, EUR, 24V, 45"	*80LB THRUST* *45* *M SKU EUROPE*	1
YY	2774086	MAIN CTRL BD, EUR, 36V, 60"	*112LB THRUST* *60* *M SKU EUROPE*	1
ZZ	2774087	MAIN CTRL BD, EUR, 36V, 45"	*112LB THRUST* *45* *M SKU EUROPE*	1
AAA	2774091	MAIN CTRL BD, US/AU/CA, 36V, 72"	*112LB THRUST* *72*	1
HH	2774201	TILT BRACKET ASSEMBLY		1
Item	Part #	Description	Notes	Quantity
600	2203430	SCREW-1/4-20 X 2.0 HHCS SS		6
602	2203431	SCREW-1/4-20 X 0.5 HHCS SS		6
604	2201725	WASHER-CLIPPED, 1/4", 1.00" OD		6
606	2261713	WASHER-1/4 FLAT 18-8 SS		6
608	2263103	NUT-1/4-20 NYLOCK SS		6
610	2301720	WASHER-MOUNTING - RUBBER		6
612	2201901	BASE, MACHINED, FW		1
614	2205105	PAD, STOP		2
616	2203420	SCREW-#10-24 X 5/16 PFH		2
618	2207900	CAM, PIN SENSOR w/MAGNET		1
620	2262632	PIN-SPRING 1/4" X 5/8" SS		1
622	2201702	SPACER, PIN SENSOR		1
624	9280710	HDW SCR 1/4 20X7/8 TRUSS PHIL		1
626	2042711	SPRING-TORSION, SS		1
628	2200821	CLIP-CORD, ZP		1
630	2323404	SCREW-1/4-20 X 1/2" T-L ZP		4
632	2202902	STANDOFF, OIL DAMPENR		1
634	2323406	SCREW-#10-24 X .50 CRPH SS		2
636	2373487	SCREW-#8-32 X 3/4" PPH MACH SS		1
638	2203700	PLUNGER, RAMP w/MAGNET		1
640	2202703	SPRING, PLUNGER-RAMP		1

- ▲ Not shown on Parts Diagram.
- ✳ This part is included in an assembly and cannot be ordered individually.
- ◆ Only available with models factory installed with i-Pilot.
- Only available with models factory installed with i-Pilot Link.

- ⊕ Only available with models factory installed with Universal Sonar.
- ➔ Only available with models factory installed with Built-in MEGA Down Imaging.
- * Only available with models factory installed with Built-in MEGA Side Imaging.

PARTS DIAGRAM & PARTS LIST



Item	Part #	Description	Notes	Quantity
642	2203916	RAMP-MOTOR, LEFT, 80#		1
	2203917	RAMP-MOTOR, LEFT, 112#		1
644	2301310	SCREW-#8-18 X 1/2 (SS)*		1
646	2201722	WASHER-#6, .625 OD, ZP STEEL		1
648	2373440	SCREW-#4-24 X 1/4 PHCR SS TY B		2
650	2053411	SCREW-#4-40 X 1/4 PPH ZP		4
652	2263453	SCREW-1/4-20 X 1" SHCS S/S		4
▲	2200825	CLIP, SENSOR CABLE		2
654	2208800	DAMPER, HYBRID, 80#		1
	2208802	DAMPER, HYBRID, 112#		1
656	2203911	RAMP-MOTOR, RIGHT, 80#		1
	2203912	RAMP-MOTOR, RIGHT, 112#		1
658	2202606	PIN, ACTUATOR, ZP		1
660	2263006	E-RING,5/16,S/S GAS ASSIST		1
662	2090651	LEADWIRE,10 GA,PD/GENESIS		1
664	2321310	STRAIN RELIEF		1
666	2263453	SCREW-1/4-20 X 1" SHCS S/S		1
668	2991272	COIL CORD ASY 54/60" U.SONAR		1
	2991276	COIL CORD ASY 72" U.SONAR		1
670	2307313	BEAD-FERRITE		1
672	2202901	STANDOFF, LIFT ARM		2
674	2204201	ARM-LIFT, INNER, ZP		1
676	2383447	SCREW-#10-32 X 3/8" PPH SS		2
678	2203410	SCREW-#10-32 X .5"		4
680	2203100	NUT, TILT MOTOR		1
682	2204206	ARM-LIFT, OUTER, ZP		1
684	2321702	WASHER-FLAT .375 NYLON		1
686	2997813	ASSEMBLY, TILT MOTOR		1
688	2263006	E-RING,5/16,S/S GAS ASSIST		1
690	2263011	E-RING 3/8 DIA. SHAFT*		1
692	2206510	HOUSING-CONTROL, BLACK		1
694	2205602	DECAL, B.METER/CON/PWR FW, BLK		1
696	2202910	STRAIN RLF,HEYC SR 6N3-4		1
698	2203907	SIDEPLATE, LEFT		1
700	2203902	SIDEPLATE, RIGHT		1
702	2323404	SCREW-1/4-20 X 1/2" T-L ZP		1
▲	2256300	TIE WRAP-5.5" BLACK		2

- ▲ Not shown on Parts Diagram.
- ✳ This part is included in an assembly and cannot be ordered individually.
- ◆ Only available with models factory installed with i-Pilot.
- Only available with models factory installed with i-Pilot Link.

- ✚ Only available with models factory installed with Universal Sonar.
- ➔ Only available with models factory installed with Built-in MEGA Down Imaging.
- * Only available with models factory installed with Built-in MEGA Side Imaging.



PARTS DIAGRAM & PARTS LIST



Item	Part #	Description	Notes	Quantity
▲	2052510	CABLE CLAMP, 3/16", NYLON		2
704	2373440	SCREW-#4-24 X 1/4 PHCR SS TY B		2
706	2200823	CLIP, POWER BUTTON		1
708	2203801	STRAP, HOLD DOWN, ULTERRA		1

- ▲ Not shown on Parts Diagram.
- ✘ This part is included in an assembly and cannot be ordered individually.
- ◆ Only available with models factory installed with i-Pilot.
- Only available with models factory installed with i-Pilot Link.

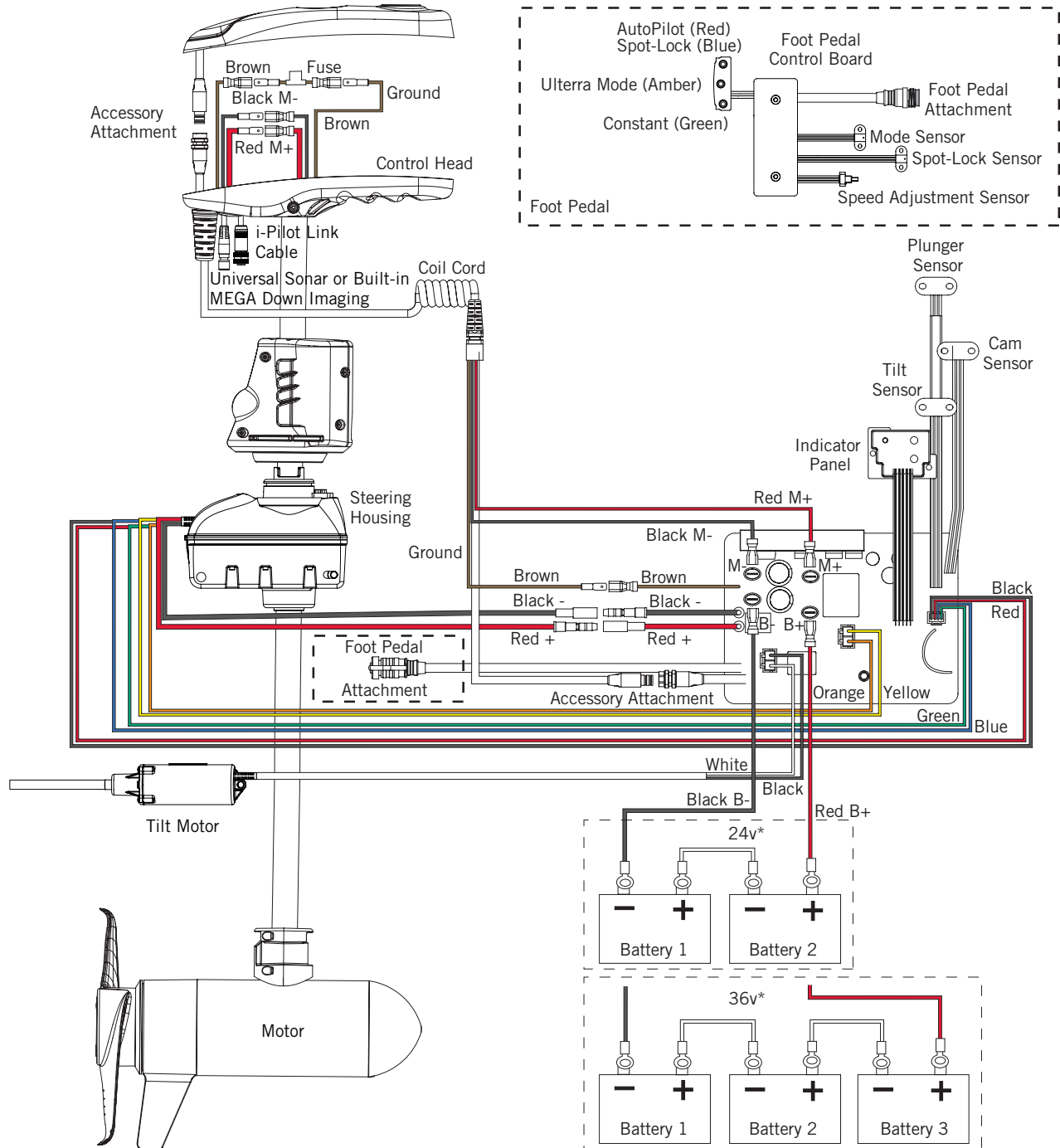
- ⊕ Only available with models factory installed with Universal Sonar.
- ➔ Only available with models factory installed with Built-in MEGA Down Imaging.
- * Only available with models factory installed with Built-in MEGA Side Imaging.



MOTOR WIRING DIAGRAM

ULTERRA WITH i-PILOT OR i-PILOT LINK

The following Motor Wiring Diagram applies to all Ulterra models that come factory installed with either i-Pilot or i-Pilot Link. Universal Sonar or Built-in MEGA Down Imaging are optional features that may come factory installed.



NOTICE: This is a multi-voltage diagram. Double-check your motor's voltage for proper connections. Over-Current Protection Devices are not shown in this illustration. i-Pilot Link Cable attachment for i-Pilot Link only models only. If equipped with Universal Sonar or Built-in MEGA Down or Side Imaging, please visit minnkotamotors.com to learn more.