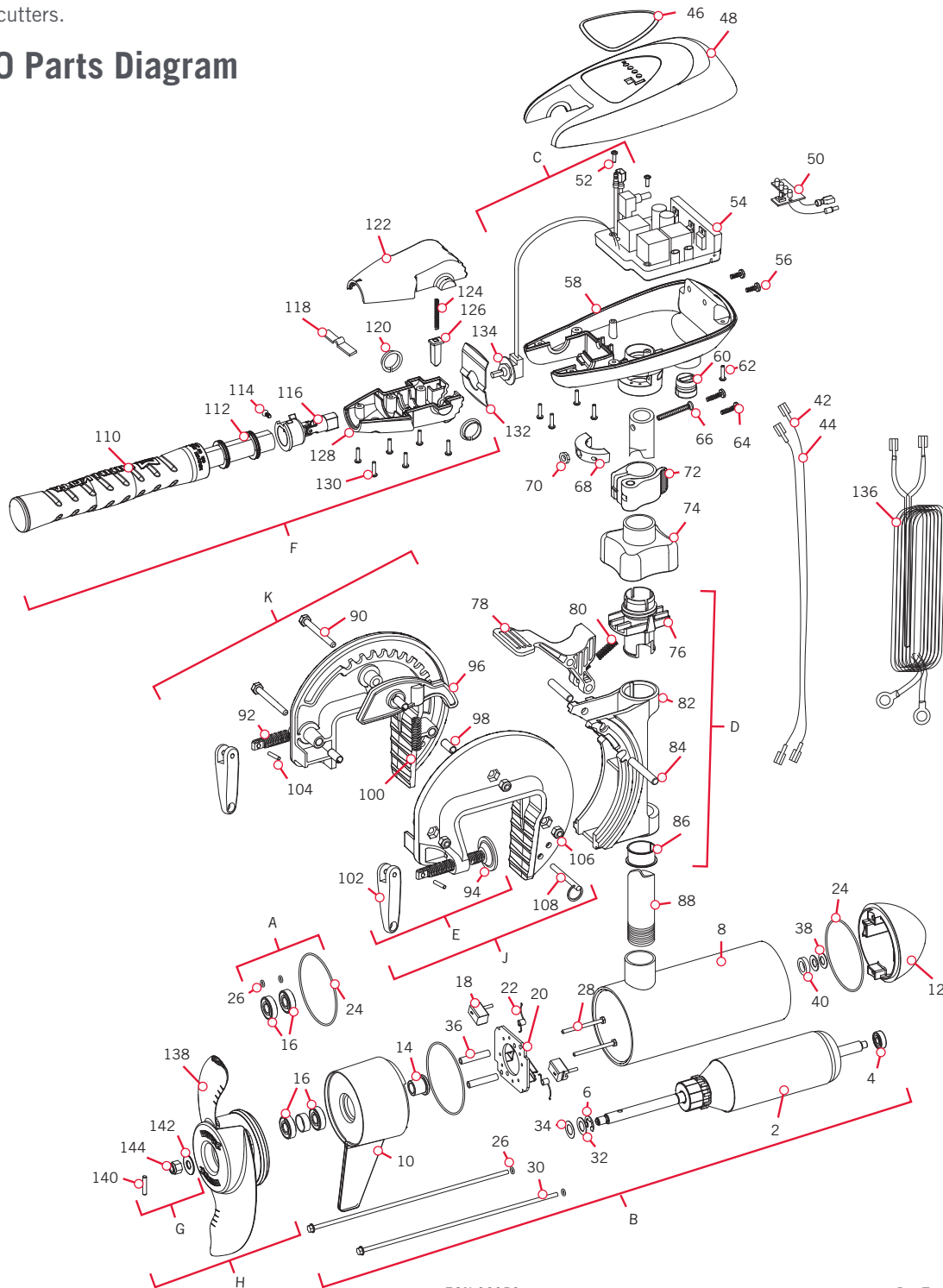


# PARTS DIAGRAM & PARTS LIST

## TRAXXIS 80 - 80 LBS THRUST - 24 VOLT - 42" SHAFT

This page provides Minn Kota® WEEE compliance disassembly instructions. For more information about where you should dispose of your waste equipment for recycling and recovery and/or your European Union member state requirements, please contact your dealer or distributor from which your product was purchased. Tools required, but not limited to: flat head screw driver, Phillips screw driver, socket set, pliers, wire cutters.

### Traxxis 80 Parts Diagram



# PARTS DIAGRAM & PARTS LIST

## Traxxas 80 Parts List

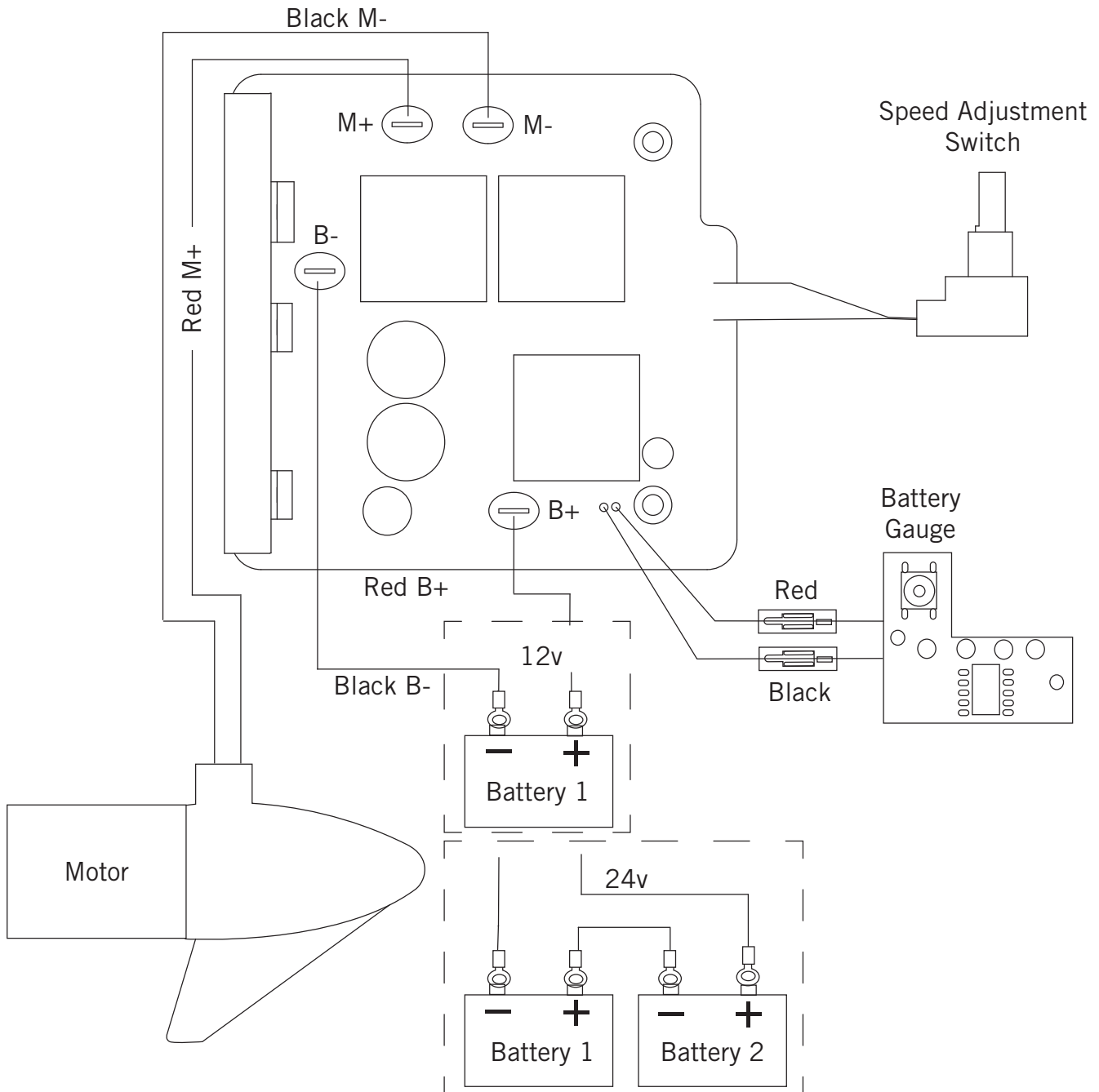
Assembly	Part #	Description	Quantity
A	2889460	SEAL AND O-RING KIT	1
B	2316216	24V MOTOR 36" FW	1
C	2888411	POTENTIOMETER REPLACEMENT KIT	1
D	2991796	BRACKET ASSY, ALUMINUM	1
E	2771303	CLAMP SCREW KIT	1
F	2990468	HANDLE ASSY, VARS	1
G	2994878	PROPELLER BAG ASSY	1
H	1378132	PROPELLER KIT WW2	1
J	2991784	BRACKET, LEFT, FW	1
K	2991783	BRACKET, RIGHT, FW	1
Item	Part #	Description	Quantity
2	2-100-214	ARMATURE ASSEMBLY	1
4	140-010	BEARING	1
6	788-040	RETAINING RING	1
8	2-200-160	CENTER HOUSING ASSEMBLY	1
10	2-300-160	BRUSH END HOUSING ASSEMBLY	1
12	421-276	PLAIN END HOUSING ASSEMBLY STD	1
14	144-017	FLANGE BEARING	1
16	880-025	SEAL	2
18	188-094	BRUSH	2
20	9-738-004	BRUSH PLATE ASSEMBLY	1
22	975-041	BRUSH SPRING	2
24	701-043	O-RING MOTOR	2
26	701-009	O-RING, THRU-BOLT	2
28	830-027	SCREW, #10-32 X 2	2
30	830-094	THRU-BOLT	1
32	990-051	WASHER, STEEL	1
34	990-052	WASHER, NYLATRON	2
36	973-025	SPACER, BRUSH PLATE	2
38	992-010	WASHER, BELLEVILLE	2
40	990-045	SPACER, THRUST	1
42	640-015	LEADWIRE, BLACK	1
44	640-119	LEADWIRE, RED	1
46	2065774	DECAL, C-BOX COVER	1
48	2060298	C-BOX COVER	1
50	2074071	BATTERY METER, 24V FW	1
52	2043427	SCREW, #8 X 7/8 SS	2
54	2184017	CONTROL BOARD, 24/36V	1
56	2303434	SCREW, #8-32 X 5/8 SS	2
58	2062536	CONTROL BOX, CAST, FW	1
60	2062905	STRAIN RELIEF	1
62	2303412	SCREW, #6-20 X 5/8 SS	6

Item	Part #	Description	Quantity
64	2063410	SCREW, #10-32 X 3/4" CAP SS	2
66	2093400	SCREW, #10-24 X 1-7/8" PPH SS	1
68	2061527	COLLAR-CTRL BOX (FW)	1
70	2383124	NYLOCK NUT, #10-24, ZINC	1
72	2991521	CAM LOCK/DEPTH COLLAR ASSY	1
74	2060100	KNOB, STEERING TENSION, SOFT	1
76	2068400	COLLET	1
78	2064200	LOCK ARM	1
80	2062701	SPRING, LOCK ARM	1
82	2061821	HINGE	1
84	2062602	PIN, LOCK, ZINC	1
86	2037301	BUSHING, HINGE	1
88	2032053	TUBE 42"	1
90	2063500	BOLT 1/4-20 X 2 3/8", ZINC	3
92	2051302	SCREW-CLAMP	2
94	2011710	WASHER-CLAMP SCREW	2
96	2067905	CAM DEACTIVATOR	1
98	2067306	BUSHING, DOWEL 1/4 X 1/2	3
100	2062702	SPRING, CAM DEACTIVATOR	1
102	2050925	HANDLE, CLAMP	2
104	2052625	ROLL PIN	2
106	2263104	NYLOCK NUT, 1/4-20, ZINC	3
108	2062604	PIN, STOP	1
110	2990456	GRIP/HANDLE ASSY, VARS	1
112	2060015	BEARING, HANDLE	2
114	2063405	SCREW, #6 X 1/2 PFH SS	2
116	2884092	YOKE / SPIDER ASSY, VARS	1
118	2302742	SPRING, DETENT, OFF	1
120	2060005	BEARING, HANDLE PIVOT	2
122	2060900	HANDLE PIVOT, TOP	1
124	2302745	SPRING, RELEASE BUTTON	1
126	2063700	BUTTON, RELEASE	1
128	2060905	HANDLE PIVOT, BOTTOM	1
130	2303412	SCREW, #6-20 X 5/8 SS	6
132	2062715	SPRING, HANDLE PIVOT	1
134	2061700	WASHER, POT HOLDER	1
136	2992523	LEADWIRE ASSY, INCLUDES	1
138	2331160	PROPELLER WW2	1
140	2262658	DRIVE PIN, LARGE 1" X 3/16" SS	1
142	2091701	WASHER, PROP, LARGE	1
144	2093101	NUT, NYLOCK, PROP, LARGE 3/8" SS	1

# MOTOR WIRING DIAGRAM

## TRAXXIS

The following Motor Wiring Diagram applies to all Traxxis models that come factory installed with a variable speed switch.



**NOTICE:** This is a multi-voltage diagram. Double-check your motor's voltage for proper connections. Over-Current Protection Devices are not shown in this illustration.