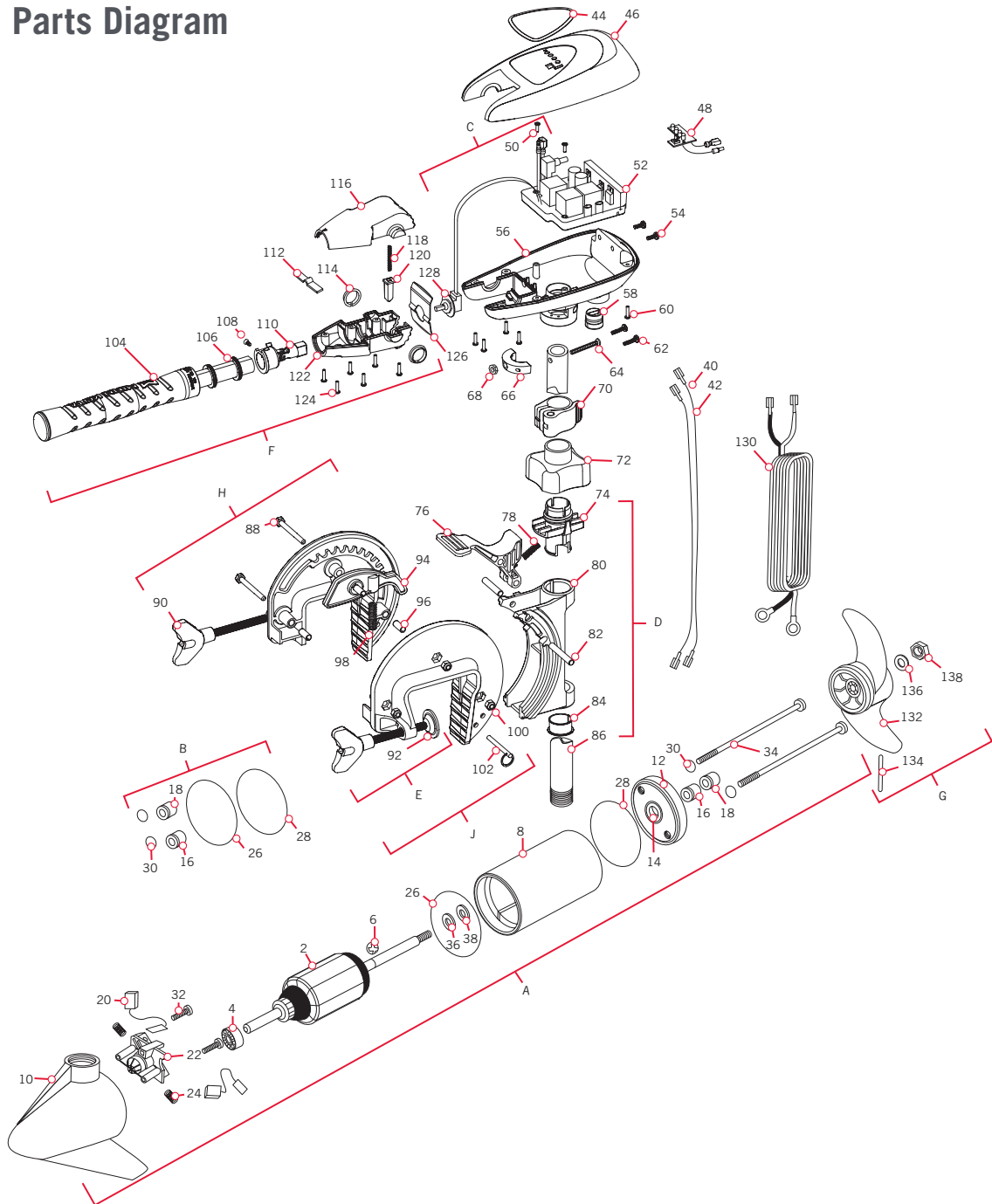


# PARTS DIAGRAM & PARTS LIST

## TRAXXIS 45 - 45 LBS THRUST - 12 VOLT - 36" SHAFT

This page provides Minn Kota® WEEE compliance disassembly instructions. For more information about where you should dispose of your waste equipment for recycling and recovery and/or your European Union member state requirements, please contact your dealer or distributor from which your product was purchased. Tools required, but not limited to: flat head screw driver, Phillips screw driver, socket set, pliers, wire cutters.

### Traxxis 45 Parts Diagram



# PARTS DIAGRAM & PARTS LIST

## Traxxas 45 Parts List

Assembly	Part #	Description	Quantity
A	2069288	12V MOTOR 36" FW	1
B	2883460	SEAL AND O-RING KIT	1
C	2888411	POTENTIOMETER REPLACEMENT KIT	1
D	2991795	BRACKET ASSY, COMPOSITE	1
E	2881380	CLAMP SCREW KIT	2
F	2990468	HANDLE ASSY, VARS	1
G	1378121	PROPELLER KIT	1
H	2771950	BRACKET, RIGHT, FW	1
J	2771955	BRACKET, LEFT, FW	1
Item	Part #	Description	Quantity
2	2-100-202	ARMATURE ASSEMBLY	1
4	140-010	BEARING	1
6	788-015	RETAINING RING	1
8	2-200-079	CENTER HOUSING ASSEMBLY	1
10	421-132	BRUSH END HOUSING ASSEMBLY	1
12	2-400-128	PLAIN END HOUSING ASSEMBLY	1
14	144-049	FLANGE BEARING	1
16	880-003	SEAL	1
18	880-006	SEAL WITH SHIELD	1
20	188-052	BRUSH	2
22	738-030	BRUSH PLATE ASSEMBLY	1
24	975-032	BRUSH SPRING	2
26	701-041	O-RING, MOTOR, FRONT	1
28	701-039	O-RING, MOTOR, REAR	1
30	701-007	O-RING, THRU-BOLT	2
32	830-001	SCREW, #8-32	2
34	830-078	THRU-BOLT	2
36	990-067	WASHER, STEEL	1
38	990-070	WASHER, NYLATRON	1
40	640-001	LEADWIRE, BLACK	1
42	640-101	LEADWIRE, RED	1
44	2065775	DECAL, C-BOX COVER	1
46	2060298	C-BOX COVER	1
48	2074070	BATTERY METER, 12V FW	1
50	2043427	SCREW, #8 X 7/8 SS	2
52	2184016	CONTROL BOARD, 12V	1
54	2303434	SCREW, #8-32 X 5/8 SS	2
56	2062536	CONTROL BOX, CAST, FW	1
58	2062905	STRAIN RELIEF	1

Item	Part #	Description	Quantity
60	2303412	SCREW, #6 X 5/8 SS	6
62	2063410	SCREW, #10-32 X 3/4" CAP SS	2
64	2093400	SCREW, #10-24 X 1-7/8" SS	1
66	2061527	COLLAR-CTRL BOX (FW)	1
68	2383124	NYLOCK NUT #10-24	1
70	2991521	CAM LOCK/DEPTH COLLAR ASSY	1
72	2060100	KNOB, STEERING TENSION, SOFT	1
74	2068400	COLLET	1
76	2064200	LOCK ARM	1
78	2062701	SPRING, LOCK ARM	1
80	2061821	HINGE	1
82	2062602	PIN, LOCK, ZINC	2
84	2037301	BUSHING, HINGE	1
86	2032052	TUBE 36"	1
88	2063500	BOLT 1/4-20 X 2 3/8", ZINC	3
90	2061300	SCREW - CLAMP	2
92	2011710	WASHER - CLAMP SCREW	2
94	2067905	CAM DEACTIVATOR	1
96	2067306	BUSHING, DOWEL 1/4 X 1/2	3
98	2062702	SPRING, CAM DEACTIVATOR	1
100	2263104	NUT, 1/4-20, NYLOCK, ZINC	3
102	2062604	PIN, STOP	1
104	2990456	GRIP/HANDLE ASSY, VARS	1
106	2060015	BEARING, HANDLE	2
108	2063405	SCREW, #6 X 1/2	2
110	2884092	YOKE / SPIDER ASSY, VARS	1
112	2302742	SPRING, DETENT, OFF	1
114	2060005	BEARING, HANDLE PIVOT	2
116	2060900	HANDLE PIVOT, TOP	1
118	2302745	SPRING, RELEASE BUTTON	1
120	2063700	BUTTON, RELEASE	1
122	2060905	HANDLE PIVOT, BOTTOM	1
124	2303412	SCREW, #6-20 X 5/8 SS	6
126	2062715	SPRING, HANDLE PIVOT	1
128	2061700	WASHER, POT HOLDER	1
130	2992523	LEADWIRE ASSY, INCLUDES [235]	1
132	2061122	PROPELLER	1
134	2092600	DRIVE PIN, LARGE	1
136	2151726	WASHER, PROP, STANDARD	1
138	2053101	NUT, NYLOCK, PROP, MEDIUM	1

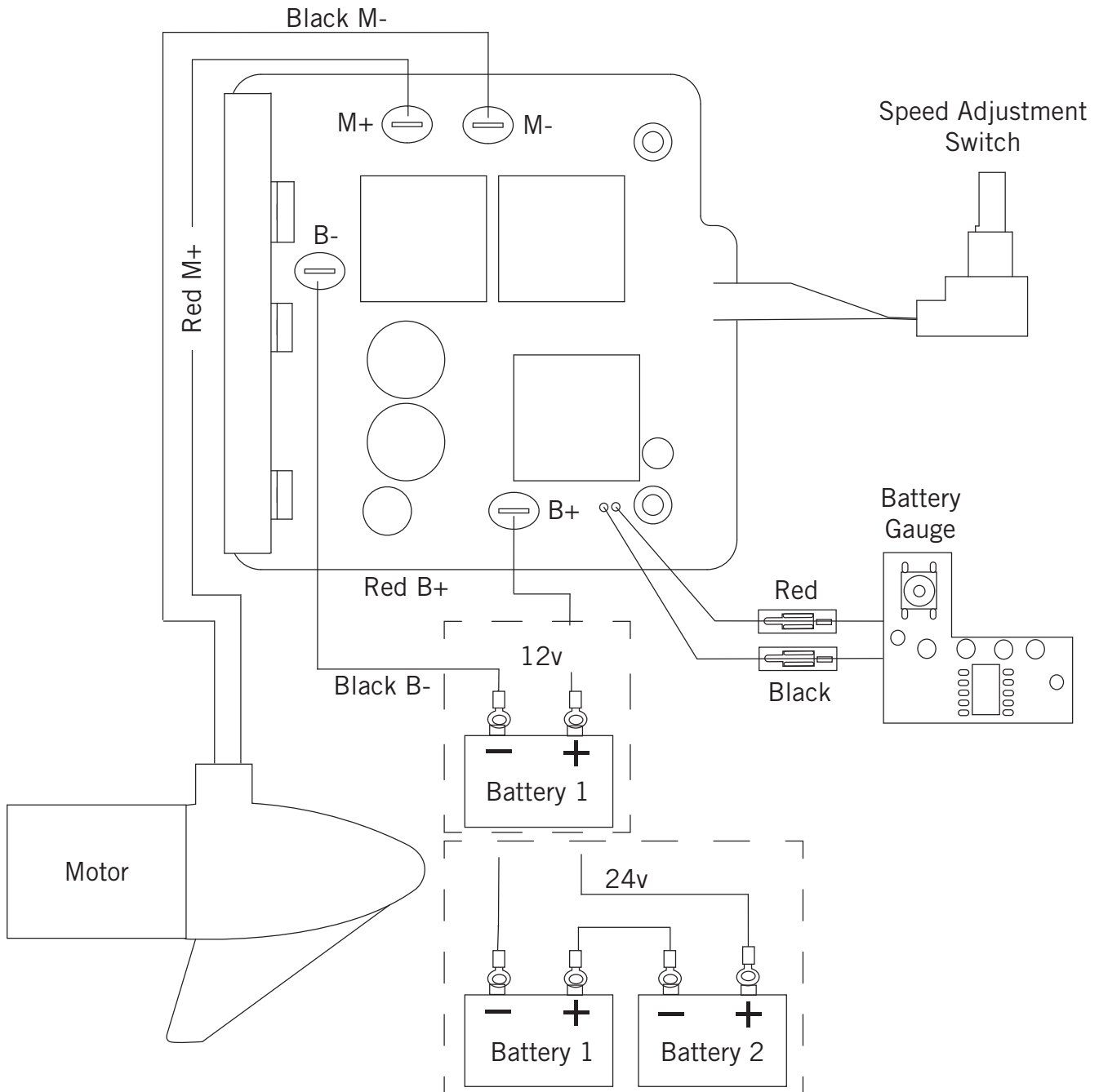
✘ This part is included in an assembly and cannot be ordered individually.

▲ Not shown on Parts Diagram.

# MOTOR WIRING DIAGRAM

## TRAXXIS

The following Motor Wiring Diagram applies to all Traxxis models that come factory installed with a variable speed switch.



**NOTICE:** This is a multi-voltage diagram. Double-check your motor's voltage for proper connections. Over-Current Protection Devices are not shown in this illustration.