

# PARTS DIAGRAM & PARTS LIST

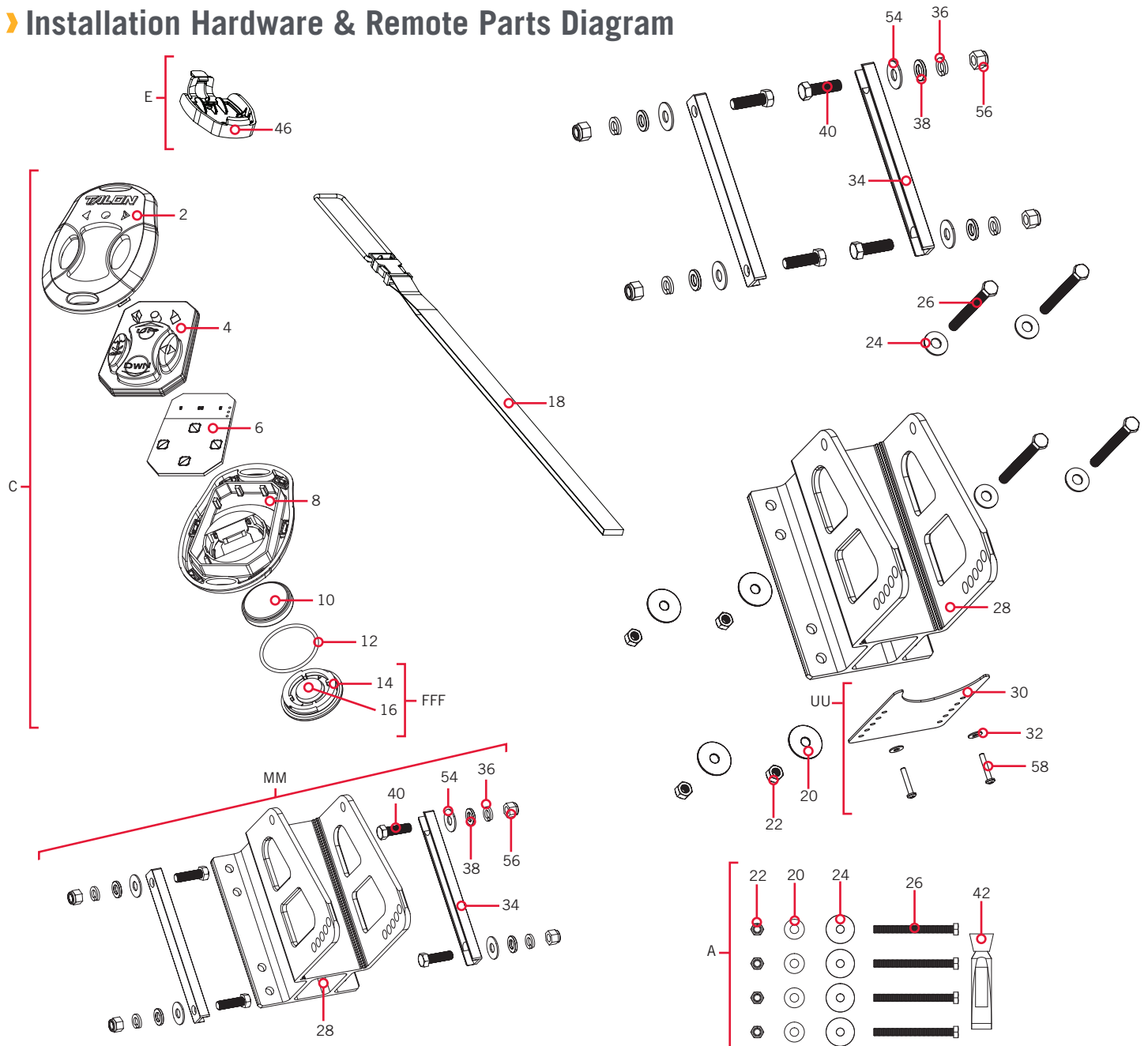
## TALON

### 12 VOLT - 8'/10'/12'/15' TALON

The parts diagram and parts list provides Minn Kota® WEEE compliance disassembly instructions. For more information about where you should dispose of your waste equipment for recycling and recovery and/or your European Union member state requirements, please contact your dealer or distributor from which your product was purchased. Tools required, but not limited to: flat head screwdriver, Phillips screwdriver, socket set, pliers, wire cutters.

### TALON INSTALLATION HARDWARE AND REMOTE

#### Installation Hardware & Remote Parts Diagram



# PARTS DIAGRAM & PARTS LIST

## Installation Hardware & Remote Parts List

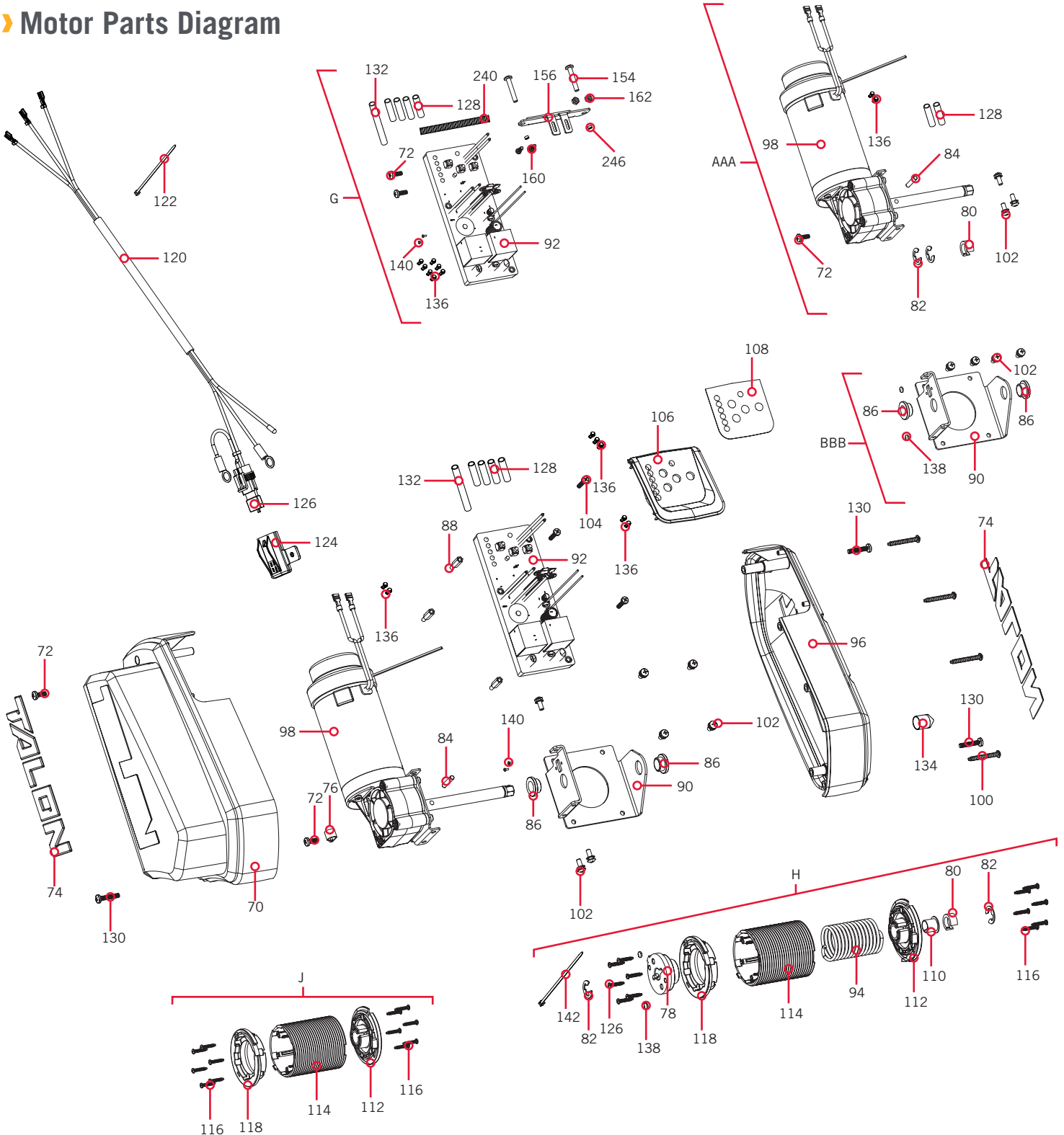
Assembly	Part #	Description	Quantity
A	2994903	TALON HARDWARE BAG ASSY	1
C	2994150	TRANSMITTER ASM, TALON 3	2
E	2771829	BRACKET,DASH MNT HLDR/TAPE KIT	1
MM	2778725	TILT BRACKET & HARDWARE KIT	1
UU	2886447	WATER SHIELD KIT, TALON BT	1
FFF	2886422	COVER, BATTERY COMPARTMENT ASY	1
Item	Part #	Description	Quantity
2	2372542	CASE-REMOTE, TOP, TALON 3	1
4	2375122	KEYPAD-REMOTE, TALON 3	1
6	✖	CTRL BOARD, TRNSMTR, TALON 3	1
8	2372545	CASE-REMOTE, BTM, TALON 3	1
10	✖	BATTERY CR2450	1
12	2376941	GASKET,BATTERY COMPARTMENT	1
14	✖	COVER, BATTERY COMPRT(SUB)	1
16	✖	PAD-FOAM, I-PILOT 1.5	1
18	2390801	LANYARD, REMOTE	1
20	2371752	WASHER-FENDER, 5/16, SS	4
22	2223100	NUT-5/16-18 NYLOCK S/S	4
24	2371749	WASHER-FLAT 5/16 SS	4
26	2373525	BOLT-5/16-18 X 3 1/2" HHCS SS	4
28	2378725	BRACKET-TILT-MACH	1
30	2376447	WATER SHIELD, DEFLECTOR - TALON 2	1
32	2371754	#8 WASHER, 1/2" OD, SS	2
34	2373815	TALON MOUNTING STRAP, T2	2
36	3391706	WASHER, LOCK - 3/8"	4
38	2371758	3/8 HD FLAT WASHER, SS	4
40	2383459	3/8-24 X 1.25 HHCS, SS	4
42	2378608	ANTI SEIZE TUBE, 4CC, TALON	1
44	2014802 ▲	BAG-ZPLCK(4X6)4ML ANTISTATIC	1
46	2371829	BRACKET, RMT DASH MNT HLDR	1
48	2375104 ▲	TAPE, MNTG FOAM ULINE #S-10131	1
50	2377170 ▲	MANUAL, TALON BT	1
52	2377171 ▲	MANUAL, INSTALL GUIDE T3	1
54	2378716	GUARD, EXTRUSION BRACKET	4
56	2373138	3/8-24 NYLOK NUT, SS	4
58	2263434	#8-18 X 1 SS PPH	2
60	2297165 ▲	MANUAL-DISCLAIMER, DWNLOAD INFO	1

✖ This part is included in an assembly and cannot be ordered individually.

▲ Not shown on Parts Diagram.

TALON MOTOR >

> Motor Parts Diagram



# PARTS DIAGRAM & PARTS LIST

## Motor Parts List

Assembly	Part #	Description	Quantity
G	2774151	CONTROL BOARD KIT, TALON BT	1
H	2777921	WRAP DRUM REPLACEMENT KIT BT	1
J	2997921	MODULAR WRAP DRUM ASM - TALON 3 - 15FT	1
AAA	2887822	MOTOR ASM KIT, TALON BT	1
BBB	2888745	MOTOR MOUNT WRAP DRUM KIT	1
Item	Part #	Description	Quantity
70	2376581	HOUSING,LEFT,BLACK,TALON 3 *8FT RED* *8FT BLUE* *8FT BLACK* *8FT SILVER/BLACK* *10FT RED* *10FT BLUE* *10FT BLACK* *10FT SILVER/BLACK* *10FT SILVER/WHITE* *10FT WHITE* *15FT*	1
	2376582	HOUSING,LEFT,WHITE,TALON 3 *8FT SILVER/WHITE* *8FT WHITE* *10FT SILVER/WHITE* *10FT WHITE* *12FT SILVER/WHITE* *12FT WHITE*	1
72	2303434	SCREW-8-32 X 5/8 PPMS SS	2
74	2378871	DECAL, SIDE TALON 3	2
76	2040721	CLAMP CABLE, 3/16"	1
78	2377906	HUB, WRAP DRUM, ALUMINUM	1
80	2371537	WRAP DRUM SPACER	1
82	2373005	E-RING EXTERNAL SS .500	2
84	3392640	PIN, DRIVESHAFT	1
86	2227304	BUSHING-HAT 1/2" SHAFT BRONZE	2
88	2371538	CONTROL BOARD SPACER, T2	3
90	2378745	WRAP DRUM MOUNT, TALON 2	1
92	*	PCB-ASM, TALON 3	1
94	2372749	SPRING TORSION, WRAP DRUM - TALON 3	1
96	2376583	HOUSING,RIGHT,BLACK,TALON 3 *8FT RED* *8FT BLUE* *8FT BLACK* *8FT SILVER/BLACK* *10FT RED* *10FT BLUE* *10FT BLACK* *10FT SILVER/BLACK* *10FT SILVER/WHITE* *10FT WHITE* *15FT*	1
	2376584	HOUSING,RIGHT,WHITE,TALON 3 *8FT SILVER/WHITE* *8FT WHITE* *10FT SILVER/WHITE* *10FT WHITE* *12FT SILVER/WHITE* *12FT WHITE*	1
98	2377824	MOTOR ASM SEALED	1
100	2383457	8-16X1.5 PLASTITE, SS	4
102	2373481	SCREW-#10-32 X 1/2"SEMS PPH SS	7
104	2303434	SCREW-8-32 X 5/8 PPMS SS	3
106	2370257	COVER,BEZEL,BLACK,TALON 3 *8FT RED* *8FT BLUE* *8FT BLACK* *8FT SILVER/BLACK* *10FT RED* *10FT BLUE* *10FT BLACK* *10FT SILVER/BLACK* *10FT SILVER/WHITE* *10FT WHITE* *15FT*	1
	2370258	COVER,BEZEL,WHITE,TALON 3 *8FT SILVER/WHITE* *8FT WHITE* *10FT SILVER/WHITE* *10FT WHITE* *12FT SILVER/WHITE* *12FT WHITE*	1
108	2375878	DECAL- BT TALON BEZEL – BLACK *8FT RED* *8FT BLUE* *8FT BLACK* *8FT SILVER/BLACK* *8FT SILVER/WHITE* *10FT RED* *10FT BLUE* *10FT BLACK* *10FT SILVER/BLACK* *10FT SILVER/WHITE* *12FT RED* *12FT BLUE* *12FT BLACK* *12FT SILVER/BLACK* *12FT SILVER/WHITE* *15FT BLACK* *15FT SILVER/BLACK*	1
	2375879	DECAL- BT TALON BEZEL – WHITE *8FT WHITE* *10FT WHITE* *12FT WHITE*	1

\* This part is included in an assembly and cannot be ordered individually.

▲ Not shown on Parts Diagram.

# PARTS DIAGRAM & PARTS LIST



Item	Part #	Description	Quantity
110	2376012	BEARING, WRAP DRUM	1
112	✖	FLANGE CLOSED END	1
114	✖	WRAP DRUM MODULAR, TALON 3	1
116	✖	SCREW, #6 X 0.50 SS HI-LOW	12
118	✖	FLANGE, OPEN END	1
120	2778514	POWER CORD	1
122	9950433	TIE WRAP, 4"	1
124	2370279	CAP-RESETTABLE FUSE HOLDER	1
126	2378231	RESETTABLE FUSE	1
128	2305404	SHRINK TUBE-.374 ID X 1.0"	4
130	2383458	8-32X1 PPH, SS	3
132	2305402	SHRINK TUBE-.374 ID X 2.25"	1
134	2376727	CAP PLUG VINYL 1/2"	1
136	2040340	CONNECTOR, SCOTCHLOK, UY2	7
138	✖	MAGNET-.187X.125NCKL PLT	2
140	2373485	SCREW-#6-32X1/4"PPH SS	2
142	✖	TIE WRAP-DH35 11.5"	1

✖ This part is included in an assembly and cannot be ordered individually.

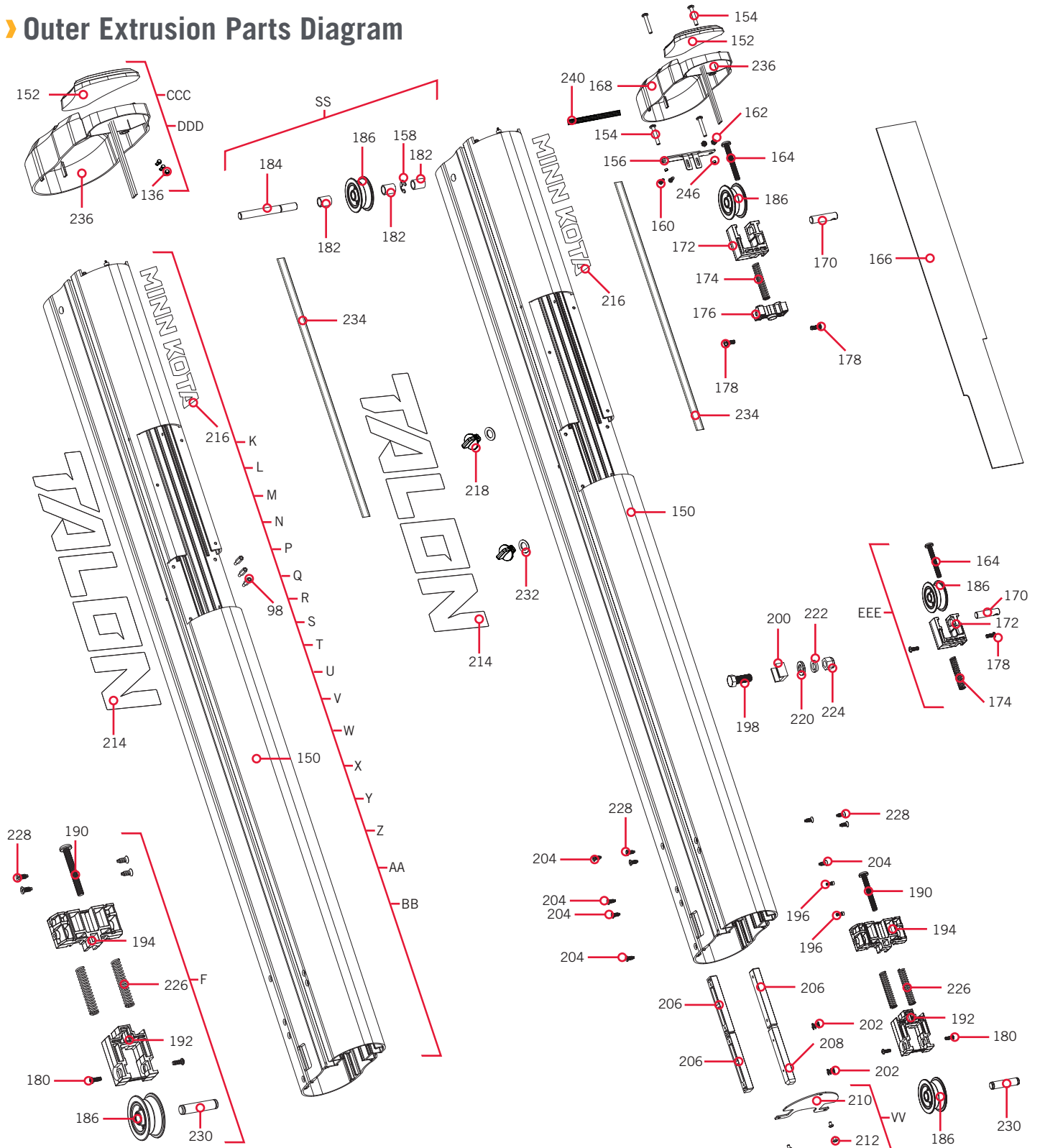
▲ Not shown on Parts Diagram.



# PARTS DIAGRAM & PARTS LIST

## TALON OUTER EXTRUSION

### Outer Extrusion Parts Diagram



Outer Extrusion Parts List

Assembly	Part #	Description	Quantity
F	2273631	EXTENSIONER CABLE TENSIONER KIT	1
K	2777940	EXTRUSION 8' SLVR BT RPLC KIT	1
L	2777941	EXTRUSION 8' BLACK BT RPLC KIT	1
M	2777942	EXTRUSION 8' BLUE BT RPLC KIT	1
N	2777943	EXTRUSION 8' RED BT RPLC KIT	1
P	2777944	EXTRUSION 8' WHITE BT RPLC KIT	1
Q	2777945	EXTRUSION 10' SLVR BT RPLC KIT	1
R	2777946	EXTRUSION 10' BLK BT RPLC KIT	1
S	2777947	EXTRUSION 10' BLUE BT RPLC KIT	1
T	2777948	EXTRUSION 10' RED BT RPLC KIT	1
U	2777949	EXTRUSION 10' WHT BT RPLC KIT	1
V	2777950	EXTRUSION 12' SLVR BT RPLC KIT	1
W	2777951	EXTRUSION 12' SLVR BT RPLC KIT	1
X	2777952	EXTRUSION 12' BLUE BT RPLC KIT	1
Y	2777953	EXTRUSION 12' RED BT RPLC KIT	1
Z	2777954	EXTRUSION 12' WHT BT RPLC KIT	1
AA	2777955	EXTRUSION 15' SLVR BT RPLC KIT	1
BB	2777956	EXTRUSION 15' BLK BT RPLC KIT	1
SS	2882660	UPPER PULLEY KIT, LARGE	1
VV	2886470	WATER GUARD KIT, TALON BT	1
CCC	2994151	TALON BT TOP CAP ASM, WHT	1
DDD	2994152	TALON BT TOP CAP ASM, BLK	1
EEE	2772350	TENSIONER ASSEMBLY KIT	1
Item	Part #	Description	Quantity
150	*	OUTER EXTRUSION 8' BRIGHT CLEAR *8FT SILVER/BLACK* *8FT SILVER/WHITE*	1
	*	OUTER EXTRUSION 8' BLACK *8FT BLACK*	1
	*	OUTER EXTRUSION 8' BLUE *8FT BLUE*	1
	*	OUTER EXTRUSION 8' RED *8FT RED*	1
	*	OUTER EXTRUSION 8' WHITE *8FT WHITE*	1
	*	OUTER EXTRUSION 10' BRIGHT CLEAR *10FT SILVER/BLACK* *10FT SILVER/WHITE*	1
	*	OUTER EXTRUSION 10' BLACK *10FT BLACK*	1
	*	OUTER EXTRUSION 10' BLUE *10FT BLUE*	1
	*	OUTER EXTRUSION 10' RED *10FT RED*	1
	*	OUTER EXTRUSION 10' WHITE *10FT WHITE*	1
	*	OUTER EXTRUSION 12' BRIGHT CLEAR *12FT SILVER/BLACK* *12FT SILVER/WHITE*	1
	*	OUTER EXTRUSION 12' BLACK *12FT BLACK*	1

\* This part is included in an assembly and cannot be ordered individually.

▲ Not shown on Parts Diagram.



# PARTS DIAGRAM & PARTS LIST



Item	Part #	Description	Quantity
150	*	OUTER EXTRUSION 12' BLUE *12FT BLUE*	1
	2377953	OUTER EXTRUSION 12' RED *12FT RED*	1
	2377954	OUTER EXTRUSION 12' WHITE *12FT WHITE*	1
	2377955	OUTER EXTRUSION 15' BRIGHT CLEAR *15FT SILVER/BLACK*	1
	2377956	OUTER EXTRUSION 15' BLACK *15FT BLACK*	1
152	2378870	DECAL, COVER, TALON 3	1
154	2263434	#8-18 X 1 SS PPH	4
156	2378705	SENSOR BRACKET, TALON2	1
158	2370832	C-CLIP, 3/8 LOW CLEARANCE - SS	1
160	2373439	SCREW-#4-40 X 5/16" PPH SS	2
162	2373106	NUT-#4-40, NYLOK, SS	2
164	*	SCREW, 1/4 -20 X 2.75" PPH, SS	1
166	2378865	CHANNEL DIVIDER, 8' *8 FT*	1
	2378866	CHANNEL DIVIDER, 10'/12' *10FT* *12FT*	1
	2378867	CHANNEL DIVIDER, 15' *15FT*	1
168	2370252	COVER, BLACK, TALON 3 *8FT RED* *8FT BLUE* *8FT BLACK* *8FT SILVER/BLACK* *10FT RED* *10FT BLUE* *10FT BLACK* *10FT SILVER/BLACK* *10FT SILVER/WHITE* *10FT WHITE* *15FT*	1
	2370253	COVER, WHITE, TALON 3 *8FT SILVER/WHITE* *8FT WHITE* *10FT SILVER/WHITE* *10FT WHITE* *12FT SILVER/WHITE* *12FT WHITE*	1
170	*	TENSIONER-PULLEY-PIN	1
172	*	TENSIONER BLOCK	1
174	2372742	SPRING, PISTON	1
176	2373201	TENSIONER STOP	1
178	*	#8-16 X 3/4 PLASTITE SCREW, SS	2
180	*	SCREW-1/4-20 X 1/2" MCH SS	2
182	2371765	PULLEY SPACER, SHORT	3
184	2372660	PIN, PULLEY-LONG, TALON2	1
186	*	LG IDLER PULLEY W BUSHING	3
190	*	SCREW-1/4-20 X 2" PPH SS/REI	1
192	*	SLIDE-EXTENSION TENSIONER	1
194	*	STOP-EXTENSION TENSIONER	1
196	2383468	SCREW, #4-40 X 5-16" SHCS SS	2
198	2373529	3/8-24 X 1" HHCS, SS	1
200	2372850	TALON STOP BOLT EXTRUSION MACHINED	1
202	2372740	SPRING, GIB TENSION	2
204	2383461	SCREW 8-18 X .437 HI-LO PFH	6
206	2372820	SLIDE GIB-LOWER	3
208	2372827	SLIDE GIB-UPPER FLOATING	1

\* This part is included in an assembly and cannot be ordered individually.

▲ Not shown on Parts Diagram.





## PARTS DIAGRAM & PARTS LIST



Item	Part #	Description	Quantity
210	2376470	DEBRIS SHIELD, BASE	1
212	2378601	STAINLESS POP RIVET, 1/8"	3
214	2376833	DECAL, BT TALON LOGO *8FT RED* *8FT BLUE* *8FT BLACK* *8FT SILVER/BLACK* *8FT SILVER/WHITE* *10FT RED* *10FT BLUE* *10FT BLACK* *10FT SILVER/BLACK* *10FT SILVER/WHITE* *12FT RED* *12FT BLUE* *12FT BLACK* *12FT SILVER/BLACK* *12FT SILVER/WHITE* *15FT BLACK* *15FT SILVER/BLACK*	1
	2376834	DECAL, BT TALON LOGO-WHITE *8FT WHITE* *10FT WHITE* *12FT WHITE*	1
216	2376835	DECAL, BT TALON 8 MK *8FT RED* *8FT BLUE* *8FT BLACK* *8FT SILVER/BLACK* *8FT SILVER/WHITE*	1
	2376836	DECAL, BT TALON 8 MK-WHITE *8FT WHITE*	1
	2376837	DECAL, BT TALON 10/12 MK *10FT RED* *10FT BLUE* *10FT BLACK* *10FT SILVER/BLACK* *10FT SILVER/WHITE* *12FT RED* *12FT BLUE* *12FT BLACK* *12FT SILVER/BLACK* *12FT SILVER/WHITE*	1
	2376838	DECAL, BT TALON 10/12 MK-WH *10FT WHITE* *12FT WHITE*	1
	2376839	DECAL, BT TALON 15 MK *15FT BLACK* *15FT SILVER/BLACK*	1
218	2372930	CORD RETAINER	2
220	2371758	3/8 HD FLAT WASHER, SS	1
222	3391706	WASHER LOCK - 3/8"	1
224	2373138	3/8-24 NYLOK NUT, SS	1
226	✖	SPRING, PISTON	2
228	2383474	SCREW-#8-16 X 1/2",PFH,SS,PLST	4
230	✖	PIN-EXTENSION TENSIONER	1
232	2371723	WASHER, POLYURETHANE 3/8"	2
234	2378758	CHANNEL COVER, 15'	2
	2378757	CHANNEL COVER, 11/12'	2
	2378756	CHANNEL COVER, 8'	2
236	✖	CTRL BOARD ASM, LED, TALON 3	1
238	2375559 ▲	LABEL, TALON BRKT TORQUE WARN.	1
240	2298800	LOOM-WIRE, 1/4 X 4"	1
246	2371780	SPACER #8 X .188	2

✖ This part is included in an assembly and cannot be ordered individually.

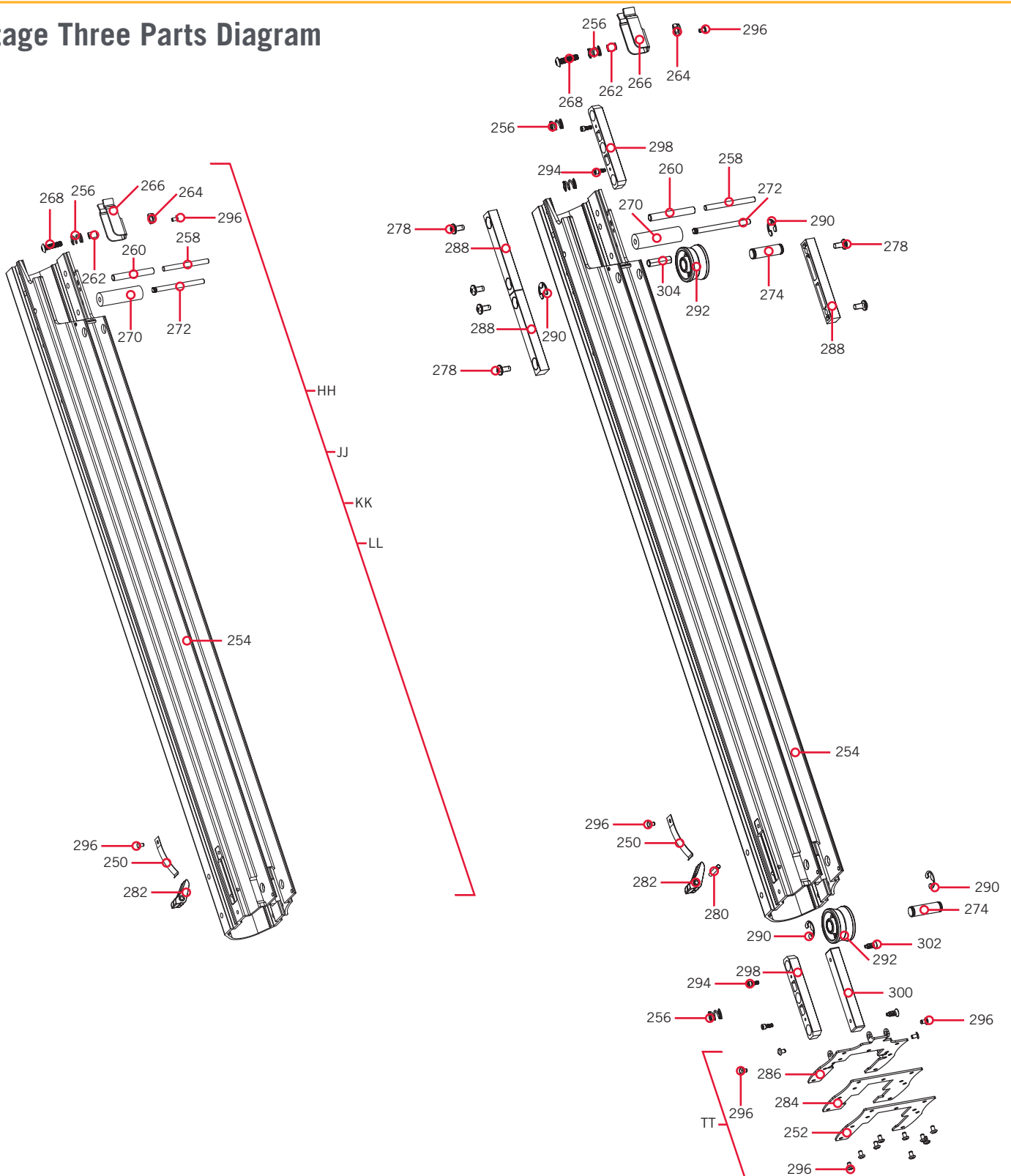
▲ Not shown on Parts Diagram.



# PARTS DIAGRAM & PARTS LIST

## TALON STAGE THREE

### Stage Three Parts Diagram



# PARTS DIAGRAM & PARTS LIST

## Stage Three Parts List

Assembly	Part #	Description	Quantity
HH	2778091	THIRD STAGE EXTRS. 8' RPLC KIT	1
JJ	2778092	THIRD STAGE EXTRS.10' RPLC KIT	1
KK	2778093	THIRD STAGE EXTRS.12' RPLC KIT	1
LL	2778094	THIRD STAGE EXTRS.15' RPLC KIT	1
TT	2884665	WIPER, RIVET KIT, 2ND STAGE BT	1
Item	Part #	Description	Quantity
250	2372748	SPRING, LATCH STAGE 3 TALON	1
252	✱	WIPER RETAINER	1
254	2378091	THIRD STAGE MACHINED 8', TALON 3 *8FT*	1
	2378092	THIRD STAGE MACHINED 10', TALON 3 *10FT*	1
	2378093	THIRD STAGE MACHINED 12', TALON 3 *12FT*	1
	2378094	THIRD STAGE MACHINED 15', TALON 3 *15FT*	1
256	2372740	SPRING, GIB TENSION	2
258	2372669	PIN-DOWEL, 3RD STAGE SUPPORT	1
260	2372668	3RD STAGE SUPPORT PIN	1
262	2371781	SPACER, LATCH SS	1
264	2333101	#10-24 NYLOCK NUT, SS	1
266	2377220	CLIP, 3RD STAGE	1
268	2383469	SCREW-#10-24 X 3/4 SS, BHCS	1
270	2375418	2ND STAGE INSULATOR, 1/4" STOP PIN, TALON2	1
272	2372659	PIN-DOWEL 3/16" X 2.5" SS, TALON2	1
274	2372316	SHAFT, IDLER	2
278	2323409	SCREW-#10-24 X 3/8 PPH MACH SS	6
280	2372653	PIN, KNURLED - 1/8"	1
282	2377201	LATCH, THIRD STAGE MOLDED	1
284	✱	WIPER 2ND STAGE	1
286	✱	DEBRIS SHIELD, 2ND STAGE WIPER	1
288	2372828	SLIDE GIB-UPPER	3
290	2370832	C-CLIP, 3/8 LOW CLEARANCE - SS	4
292	2992365	SM IDLER PULLEY W BUSHING	2
294	2383468	SCREW, #4-40 X 5-16" SHCS SS	4
296	2378601	STAINLESS POP RIVET, 1/8"	15
298	2372827	SLIDE GIB-UPPER FLOATING	2
300	2372820	SLIDE GIB-LOWER	1
302	2383461	SCREW 8-18 X .437 HI-LO PFH	2
304	2372643	PIN-SPRING, 1/8 X 1, SS	1

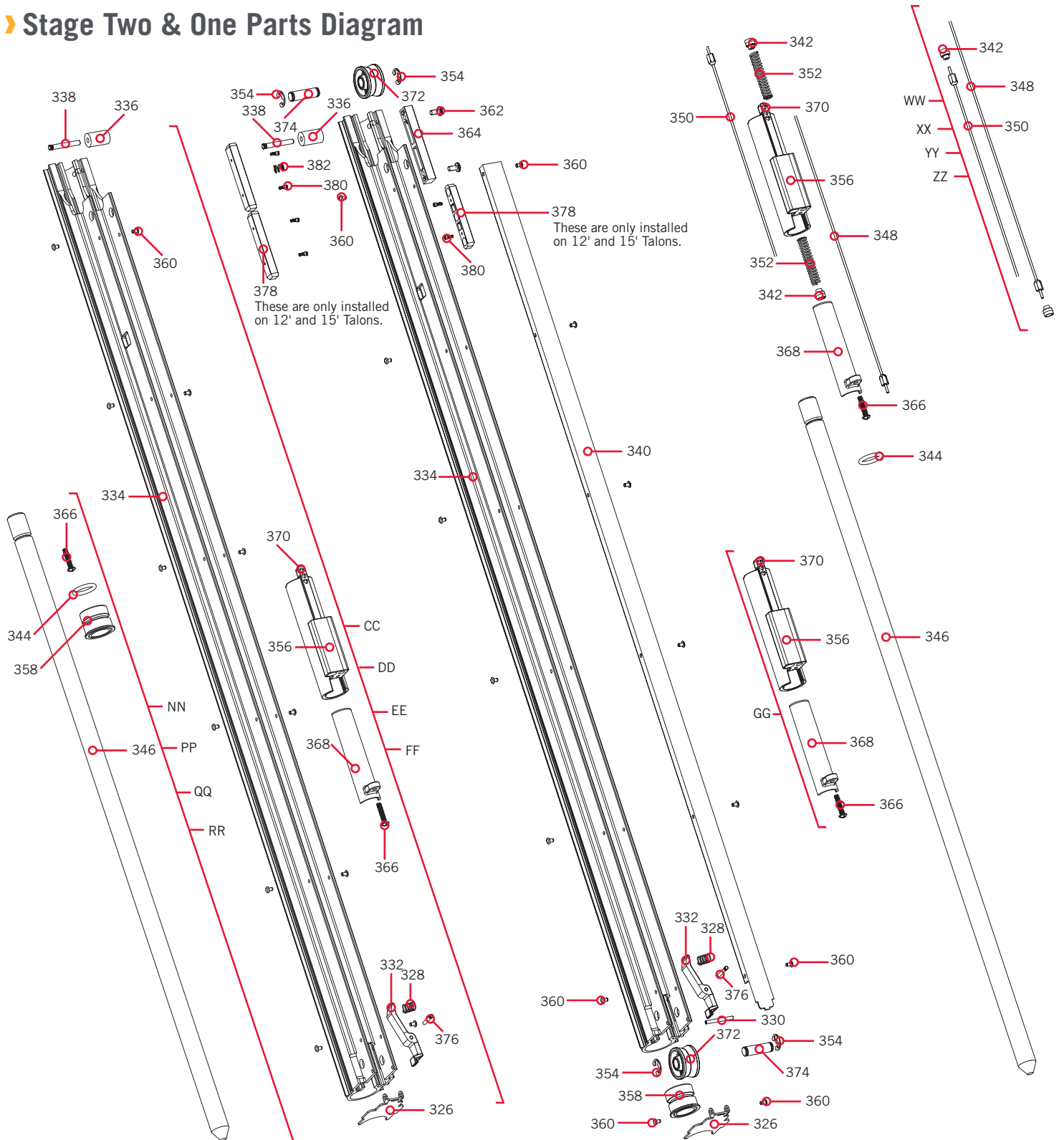
✱ This part is included in an assembly and cannot be ordered individually.

▲ Not shown on Parts Diagram.

# PARTS DIAGRAM & PARTS LIST

## TALON STAGE TWO AND ONE

### Stage Two & One Parts Diagram



# PARTS DIAGRAM & PARTS LIST

## › Stage Two and One Parts List

Assembly	Part #	Description	Quantity
CC	2778056	SECOND STAGE EXTRS. 15' RPLC KIT	1
DD	2778057	SECOND STAGE EXTRS. 8' RPLC KIT	1
EE	2778058	SECOND STAGE EXTRS. 10' RPLC KIT	1
FF	2778059	SECOND STAGE EXTRS. 12' RPLC KIT	1
GG	2991545	TALON 3 PISTON ASSEMBLY	1
NN	2882028	SPIKE REPLACEMENT KIT, 15'	1
PP	2882007	SPIKE REPLACEMENT KIT, 10'	1
QQ	2882008	SPIKE RPLC KIT 12' / 2-STG 8'	1
RR	2882027	SPIKE REPLACEMENT KIT 8'	1
WW	2887520	CABLE RPLCMNT KIT 8' TALON BT	1
XX	2887522	CABLE RPLCMNT KIT 10' TALON BT	1
YY	2887524	CABLE RPLCMNT KIT 12' TALON BT	1
ZZ	2887526	CABLE RPLCMNT KIT 15' TALON BT	1
Item	Part #	Description	Quantity
326	2376440	2ND STAGE DEBRIS SHIELD	1
328	2372743	SPRING, .36 X .5	1
330	2372654	PIN, SPRING 1/8 X 1-1/4, SS	1
332	2377205	LATCH SECOND STAGE	1
334	2378057	SECOND STAGE, MACHINED 8', TALON 3	1
	2378058	SECOND STAGE, MACHINED 10', TALON 3	1
	2378059	SECOND STAGE, MACHINED 12', TALON 3	1
	2378056	SECOND STAGE, MACHINED 15', TALON 3	1
336	2375416	INSULATOR, 1/4" STOP PIN	1
338	2372645	3/16" X 1.5" KNURLED PIN, SS	1
340	2378826	DEBRIS CHANNEL, 8' *8FT*	1
	2378823	DEBRIS CHANNEL, 10' *10FT*	1
	2378824	DEBRIS CHANNEL, 12' *12FT*	1
	2378827	DEBRIS CHANNEL, 15' *15FT*	1
342	2370850	CABLE KEEPER	2
344	2374632	O-RING, 3/4" ID X .125 *8FT* *10FT* *12FT*	1
346	✘	SPIKE, .75" X 56.4" (15') *15FT*	1
	✘	SPIKE, .75" X 56.4" (12') *12FT*	1
	✘	SPIKE, .75" X 48.4" (10') *10FT*	1
	✘	SPIKE, .75" X 40.4", (8') *8FT*	1

✘ This part is included in an assembly and cannot be ordered individually.

▲ Not shown on Parts Diagram.

# PARTS DIAGRAM & PARTS LIST



Item	Part #	Description	Quantity
348	✖	CABLE ASM TLN3, EXT 15' *15FT*	1
	✖	CABLE ASM TLN3, EXT 12' *12FT*	1
	✖	CABLE ASM TLN3, EXT 10' *10FT*	1
	✖	CABLE ASM TLN3, EXT 8' *8FT*	1
350	✖	CABLE ASM TLN3, RET 15' *15FT*	1
	✖	CABLE ASY, 2MM, RETRACT 10/12 *10FT* *12FT*	1
	✖	CABLE ASY, 2MM, RETRACT 8' (SUB) *8FT*	1
352	2372742	SPRING, PISTON	2
354	2370832	C-CLIP, 3/8 LOW CLEARANCE - SS	4
356	2371545	PISTON-TALON 3	1
358	2778825	SPIKE ISOLATOR	1
360	2378601	STAINLESS POP RIVET, 1/8"	12
362	2323409	SCREW-#10-24 X 3/8 PPH MACH SS	2
364	2372828	SLIDE GIB-UPPER	1
366	2383477	#8-16 X 7/8" PLASTITE SCREW, SS	1
368	2372932	RETAINER-STAKE, TALON 3	1
370	✖	.187 X .125 MAGNET	3
372	2992365	SM IDLER PULLEY W BUSHING	2
374	2372316	SHAFT, IDLER	2
376	2372653	PIN, KNURLED - 1/8"	1
378	2372827	SLIDE GIB-UPPER FLOATING	3
380	2383468	SCREW, #4-40 X 5-16" SHCS SS	6
382	2322740	SPRING, GIB TENSION	1

✖ This part is included in an assembly and cannot be ordered individually.

▲ Not shown on Parts Diagram.

