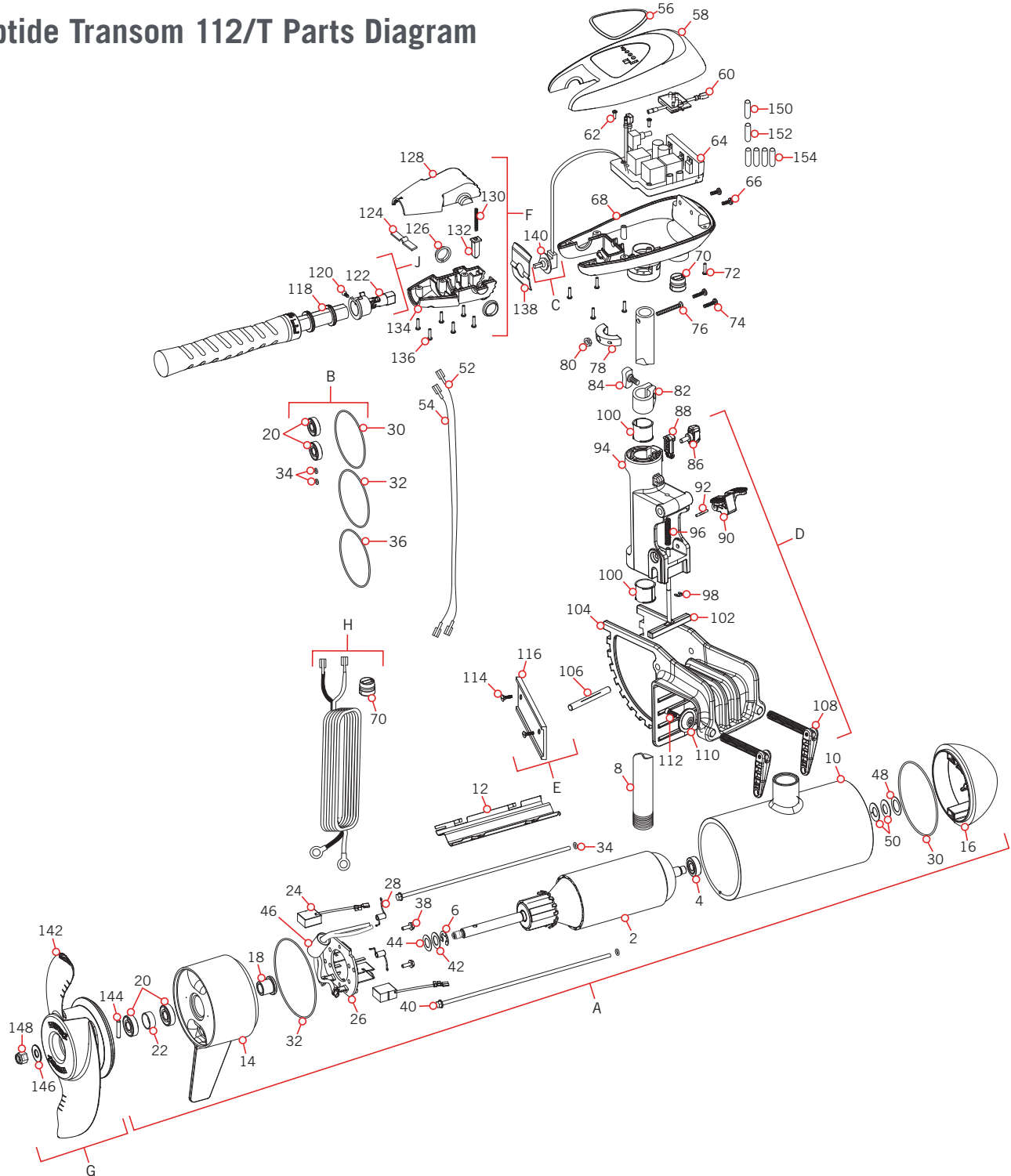


# PARTS DIAGRAM & PARTS LIST

## RIPTIDE TRANSOM 112/T - 112 LBS THRUST - 36 VOLT - 52" SHAFT

This page provides Minn Kota® WEEE compliance disassembly instructions. For more information about where you should dispose of your waste equipment for recycling and recovery and/or your European Union member state requirements, please contact your dealer or distributor from which your product was purchased. Tools required, but not limited to: flat head screw driver, Phillips screw driver, socket set, pliers, wire cutters.

### ▶ Riptide Transom 112/T Parts Diagram



# PARTS DIAGRAM & PARTS LIST

## › Riptide Transom 112/T Parts List

Assembly	Part #	Description	Quantity
A	2317090	36V MOTOR 52" SW	1
B	2881450	SEAL AND O-RING KIT	1
C	2888411	POTENTIOMETER REPLACEMENT KIT	1
D	2991714	BRACKET ASSY, ALUMINUM	1
E	2994844	BAG ASSEMBLY, TRANSOM EXTRUSION	1
F	2990957	HANDLE ASSY, VARS	1
G	1378160	PROPELLER KIT WW2	1
H	2992523	LEADWIRE ASSY	1
J	2990466	GRIP/HANDLE ASSY, VARS	1
Item	Part #	Description	Quantity
2	2-100-245	ARMATURE ASSEMBLY	1
4	140-014	BEARING	1
6	788-040	RETAINING RING	1
8	2002014	TUBE 52"	1
10	2-200-340	CENTER HOUSING ASSEMBY	1
12	582-016	RETAINING CLIP	1
14	2-300-156	BRUSH END HOUSING ASSEMBLY	1
16	421-241	PLAIN END HOUSING ASSEMBLY STD	1
18	144-017	FLANGE BEARING (SERVICE ONLY)	1
20	880-025	SEAL	2
22	725-095	PAPER TUBE - SEAL BORE	1
24	188-095	BRUSH	2
26	738-011	BRUSH PLATE ASSEMBLY	1
28	975-045	BRUSH SPRING	2
30	701-098	O-RING, PLAIN END	1
32	701-103	O-RING, BRUSH END	1
34	701-009	O-RING, THRU-BOLT	2
36	701-107	O-RING	1
38	2053410	SCREW, #8-32 X 1/2	2
40	830-094	THRU-BOLT #12-24 X 10.31	2
42	990-051	WASHER, STEEL	1
44	990-052	WASHER, NYLATRON	2
46	2777312	FERRITE BEAD W/ SHRINK	1
48	990-011	WASHER, SHIM	1
50	992-011	WASHER, BELLEVILLE	2
52	640-041	LEADWIRE, BLACK 52"	1
54	640-141	LEADWIRE, RED 52"	1
56	2195668	DECAL, C-BOX COVER	1
58	2060299	C-BOX COVER	1
60	2074082	BATTERY METER, 36V SW	1
62	2043427	SCREW, #8 X 7/8 SS	2
64	2184027	CONTROL BOARD, 24/36V	1
66	2303434	SCREW, #8-32 X 5/8 SS	2
68	2062538	CONTROL BOX, CAST, SW	1

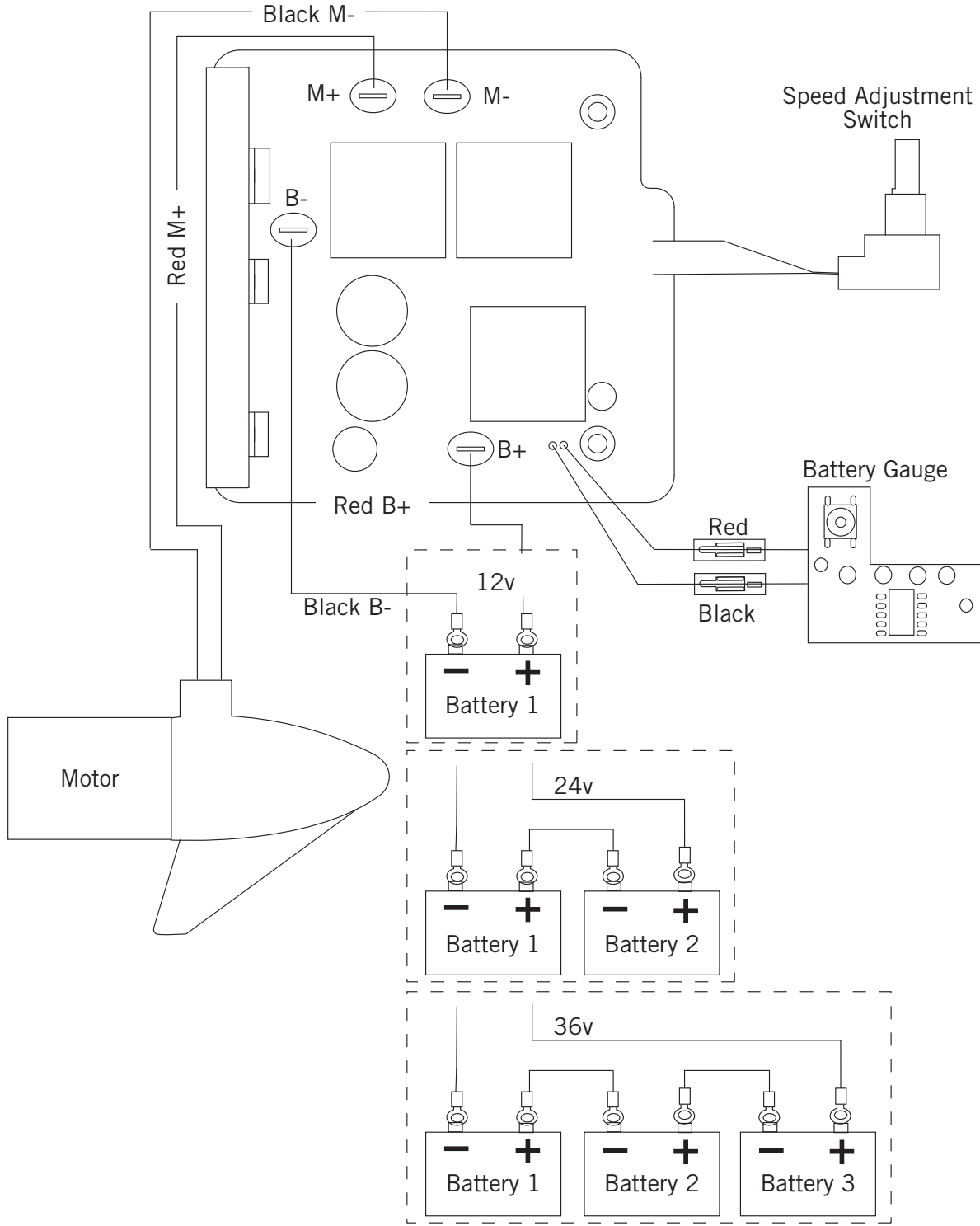
Item	Part #	Description	Quantity
70	2062905	STRAIN RELIEF	1
72	2303412	SCREW, #6 -20 X 5/8 SS	6
74	2063410	SCREW, #10-32 X 3/4" CAP SS	2
76	2093400	SCREW, #10-24 X 1-7/8" PPH SS	1
78	2061529	COLLAR-CTRL BOX (SW)	1
80	2333101	NUT, #10-24, NYLOCK, SS	1
82	2031520	COLLAR-DEPTH (W/O INSERT)	1
84	2011366	SCREW-COLLAR/NEW KNOB (SS)	1
86	2011366	KNOB, SCREW-COLLAR, SS	1
88	2062801	TENSION BLOCK	1
90	2077202	LEVER-TILT, TRANSOM BRACKET	1
92	2070512	PIN-HINGE, 1/8 X 1	1
94	2071863	HINGE-SW	1
96	2332700	SPRING-(T-BAR), SS	1
98	2333001	E-RING, SS	1
100	2037301	BUSHING, HINGE	2
102	2073604	T-BAR, (E-COAT)	1
104	2071947	BRACKET, DIE CAST SW	1
106	2070514	PIN-HINGE, 3/8 X 3.5, SS	1
108	2991303	CLAMP SCREW, HANDLE ASSY.	2
110	2331700	WASHER-CLAMP SCREW, SS	2
112	2263452	SCREW, 1/4-20 X 3/4 SHCS, SS	2
114	2053421	SCREW 1/4-14 X 1 PFH, SS	2
116	2058415	TRANSOM EXTRUSION	1
118	2060015	BEARING, HANDLE	2
120	2063405	SCREW, #6 X 1/2 PFH SS	2
122	2884092	YOKE / SPIDER ASSY, VARS	1
124	2302742	SPRING, DETENT, OFF	1
126	2060005	BEARING, HANDLE PIVOT	2
128	2060900	HANDLE PIVOT, TOP	1
130	2302745	SPRING, RELEASE BUTTON	1
132	2063700	BUTTON, RELEASE	1
134	2060905	HANDLE PIVOT, BOTTOM	1
136	2303412	SCREW, #6-20 X 5/8 SS	6
138	2062715	SPRING, HANDLE PIVOT	1
140	2061700	WASHER, POT HOLDER	1
142	2341160	PROPELLER WW2	1
144	2262658	DRIVE PIN, LARGE	1
146	2091701	WASHER, PROP, LARGE	1
148	2198401	NUT, NYLOCK, PROP, ANODE	1
150	2305415	SHRINK TUBE	1
152	2305410	SHRINK TUBE	1
154	2305403	SHRINK TUBE	4

✘ This part is included in an assembly and cannot be ordered individually.

▲ Not shown on Parts Diagram.

# MOTOR WIRING DIAGRAM

## RIPTIDE TRANSOM



**NOTICE:** This is a multi-voltage diagram. Double-check your motor's voltage for proper connections. Over-Current Protection Devices are not shown in this illustration.