

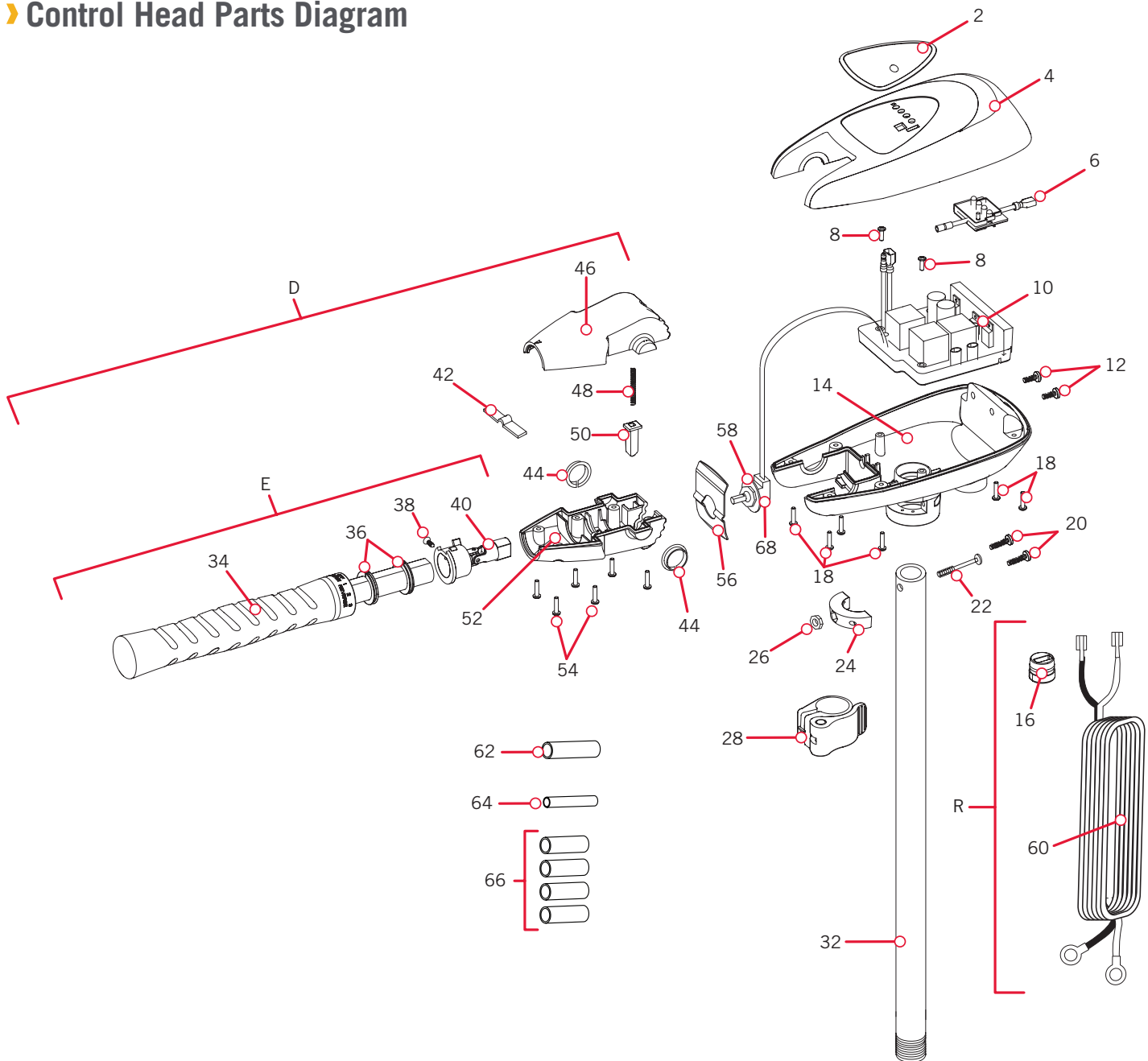
PARTS DIAGRAM & PARTS LIST

RIPTIDE MAXXUM 80 - 80 LBS THRUST - 24 VOLT - 52"/62" SHAFT

The parts diagram and parts list provides Minn Kota® WEEE compliance disassembly instructions. For more information about where you should dispose of your waste equipment for recycling and recovery and/or your European Union member state requirements, please contact your dealer or distributor from which your product was purchased. Tools required, but not limited to: flat head screwdriver, Phillips screwdriver, socket set, pliers, wire cutters.

RIPTIDE MAXXUM 80 CONTROL HEAD >

> Control Head Parts Diagram



PARTS DIAGRAM & PARTS LIST

› Control Head Parts List

Assembly	Part #	Description	Notes	Quantity
D	2990468	HANDLE ASM, VAR SPD, FW/SW	*52"* *62"*	1
E	2990466	HANDLE ASM, VAR.SPEED, TRAXXIS		1
R	2992521	LEADWIRE ASSY-HC BOW VAR 96		1
Item	Part #	Description	Notes	Quantity
2	2195667	DECAL-COVER, RT80 SM, SF, T		1
4	2060299	COVER CONTROL BOX TRAXXIS SW		1
6	2074081	BATTERY METER, 24V, SW		1
8	2043427	SCREW-#8 X 7/8 PPH TY BT SS		2
10	2184027	CTRL BRD ASY,24/36V TRXX		1
12	2303434	SCREW-#8-32 X 5/8 MACH PHCR SS		2
14	2062538	CONTROL BOX, CAST, SW		1
16	2062905	STRAIN RELIEF,HEYCO 1876		1
18	2303412	SCREW-#6-20 X 5/8 SELF TAP		6
20	2063410	SCREW-#10-32 X 3/4" CAP SS		2
22	2093400	SCREW-#10-24 X 1-7/8 PPH SS		1
24	2061529	COLLAR-CTRL BOX (SW)		1
26	2333101	NUT-HEX #10-24 UNC-2B NYL SS		1
28	2991521	CAM LOCK/DEPTH COLLAR ASY		1
30	2068411	POTENTIOMETER ASSY		1
32	2002014	TUBE (COMPOSITE) 52" WHITE	*52"*	1
	2002015	TUBE (COMPOSITE) 62" WHITE	*62"*	1
34	2060465	GRIP-HANDLE, RAW, TRAXXIS		1
36	2060015	BEARING, HANDLE 2990455		2
38	2063405	SCREW-#6 X 1/2" PFH SS TY AB		1
40	2994092	YOKE ASY,VAR.2990455		1
42	2302742	SPRING-DETENT(OFF) (SS)		1
44	2060005	BEARING-HANDLE PIVOT		2
46	2060900	PIVOT HANDLE, TOP		1
48	2302745	SPRING-RELEASE BUTTON (SS)		1
50	2063700	BUTTON-RELEASE		1
52	2060905	PIVOT HANDLE, BTM		1
54	2303412	SCREW-#6-20 X 5/8 SELF TAP		6
56	2062715	SPRING, DETENT, HANDLE TILT		1
58	2061700	WASHER, POT HOLDER		1
60	2090650	LEADWIRE (10 GA) MAX/AT HAND		1
62	2305415	SHRINK TUBE-.472 ID X 2.25"		1

▲ Not shown on Parts Diagram.

* This part is included in an assembly and cannot be ordered individually.

PARTS DIAGRAM & PARTS LIST



Item	Part #	Description	Notes	Quantity
64	2305410	SHRINK TUBE-.315 OD X 2.25"		1
66	2305403	SHRINK TUBE-.500 IDX1.0" ADHSV		4
68	2888411	POTENTIOMETER ASSY		1
▲	2197117	MANUAL-RT/SM		1
▲	2194952	PARTS LIST-RT80/SM/BG-52"		1
▲	2015800	HANG TAG "CAUTION..TILT HINGE"		1

▲ Not shown on Parts Diagram.

✘ This part is included in an assembly and cannot be ordered individually.

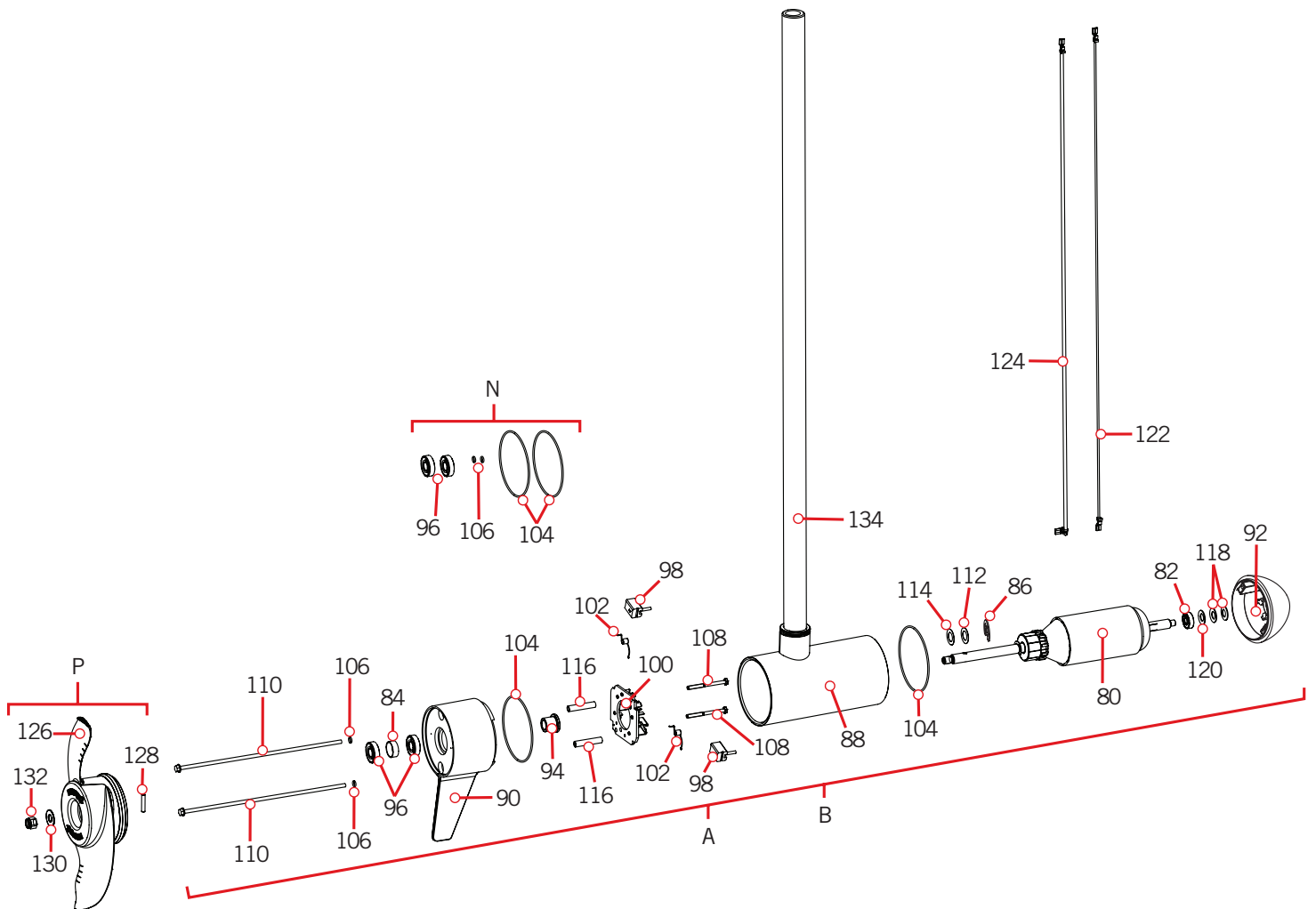


PARTS DIAGRAM & PARTS LIST



RIPTIDE MAXXUM 80 MOTOR >

> Motor Parts Diagram



PARTS DIAGRAM & PARTS LIST

Motor Parts List

Assembly	Part #	Description	Notes	Quantity
A	2316225	MTR ASY 24V 4" VS 80# SW BS	*52**	1
B	2316222	MTR ASY 24V 4" VS 80# SW BS	*62**	1
N	2889460	SEAL & O-RING KIT		1
P	1378132	PROP IND 2331160 WDLS WDG II		1
Item	Part #	Description	Notes	Quantity
80	2-100-214	ARM ASSY 24V 4" 80# (WW2)		1
82	140-010	BEARING - BALL		1
84	725-095	PAPER TUBE - SEAL BORE		1
86	788-040	RETAINING RING		1
88	2-200-394	CTR HSG ASM 4.0" SW MAGNETIZED		1
90	2-300-340	BRUSH END HSG ASY SW TX/W		1
92	421-376	HSG PLN END 4" SW WHT BS		1
94	144-017	BEARING - FLANGE		1
96	880-025	SEAL		2
98	188-094	BRUSH W/TERMINAL		2
100	2-600-134	BRUSH PLATE ASSEMBLY	*52**	1
	2-600-149	BRUSH PLATE ASSEMBLY 4.0	*62**	1
102	975-041	SPRING - TORSION		2
104	701-043	O-RING		2
106	701-009	O-RING *THRU-BOLT*		2
108	830-027	SCREW - SELF-THREAD 10-32X2.25		2
110	830-094	THRU BOLT 12-24 X10.31		2
112	990-051	WASHER - STEEL THRUST		1
114	990-052	WASHER - NYLATRON		1
116	973-025	SPACER - BRUSHPLATE		2
118	992-010	WASHER - BELLEVILLE		2
120	990-045	SPACER - THRUST		1
122	640-018	LEADWIRE BLK 10 AWG 62 1/2 XLP	*52**	1
	640-021	LEADWIRE BLK 10 AWG 69.5 XLP	*62**	1
124	640-123	LEADWIRE RED 10 AWG 64 XLP	*52**	1
	640-126	LEADWIRE RED 10AWG 71" XLP	*62**	1
126	2331160	PROP-WW2 (4") w/ADP.RING		1
128	2262658	PIN-DRIVE 1" X 3/16" S/S		1
130	2091701	WASHER-PROP (LARGE) MAX101		1
132	2093101	NUT-PROP,NYLOC,LG,MX101 3/8 SS		1
134	2002014	TUBE (COMPOSITE) 52" WHITE	*52**	1
	2002015	TUBE (COMPOSITE) 62" WHITE	*62**	1
▲	✘	RIVET-.25"		6
▲	2260730	CONNECTOR 1/4 MALE TAB QD		2
▲	230-037	CABLE CLAMP		1

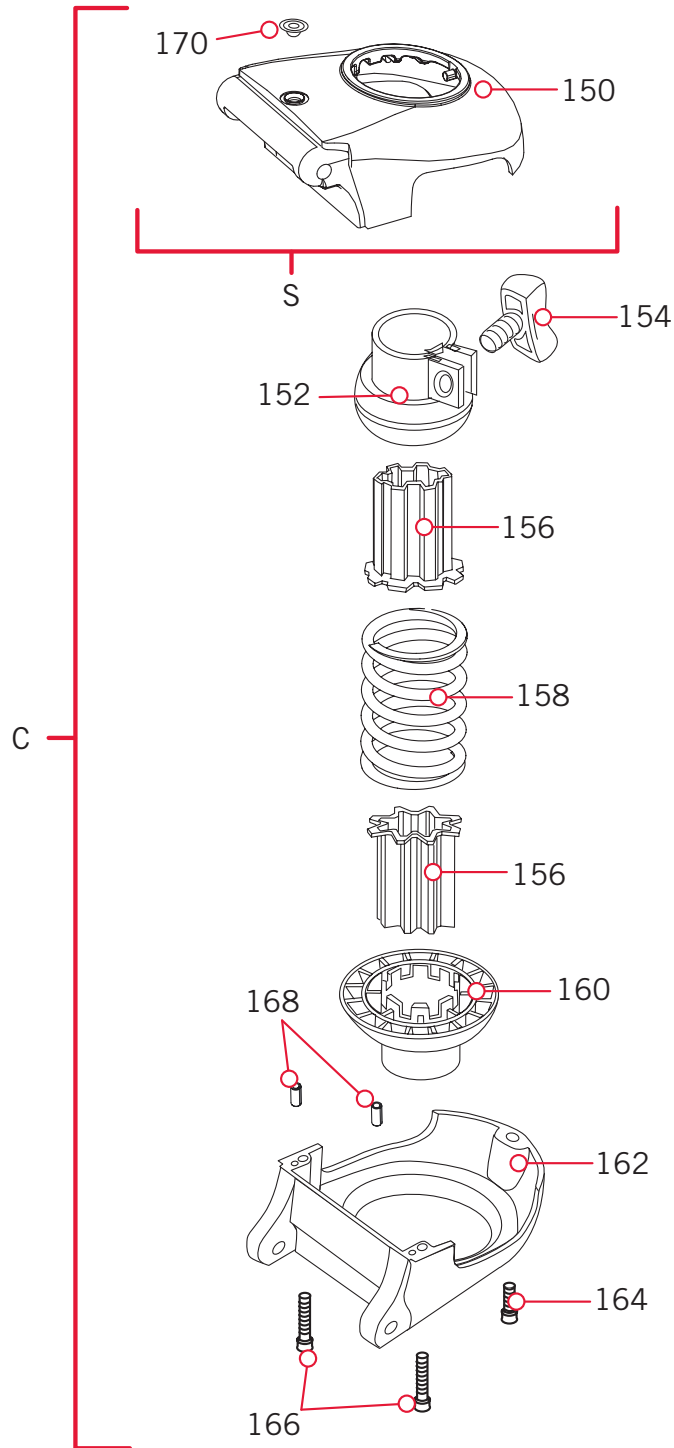
▲ Not shown on Parts Diagram.

✘ This part is included in an assembly and cannot be ordered individually.

PARTS DIAGRAM & PARTS LIST

RIPTIDE MAXXUM 80 BOWGUARD

Bowguard Parts Diagram





▶ Bowguard Head Parts List

Assembly	Part #	Description	Quantity
C	2991764	BOWGUARD ASSY,SW,HC NON-3X	1
S	2772318	BRACKET BASE-TOP/EYELET SW	1
Item	Part #	Description	Quantity
150	2991779	BRACKET BASE TOP ASSY SW	1
152	2261525	SPRING-SLEEVE UPPER	1
154	2011366	SCREW-COLLAR/NEW KNOB(SS)	1
156	2264702	INSERT-TUBE BOWMNT	2
158	2262705	SPRING, BOWGUARD, S/S	1
160	2261535	SPRING SLEEVE, LOWER	1
162	2991777	BRACKET BTM/BEARING SW ASY	1
164	2263422	SCREW-5/16-18 X 1" SHCS SS	1
166	2263424	SCREW-5/16-18 X 2.5" SHCS SS	2
168	2262632	PIN-SPRING 1/4" X 5/8" SS	2
170	2262315	EYELET-ROPE,STAINLESS STEEL	1

▲ Not shown on Parts Diagram.

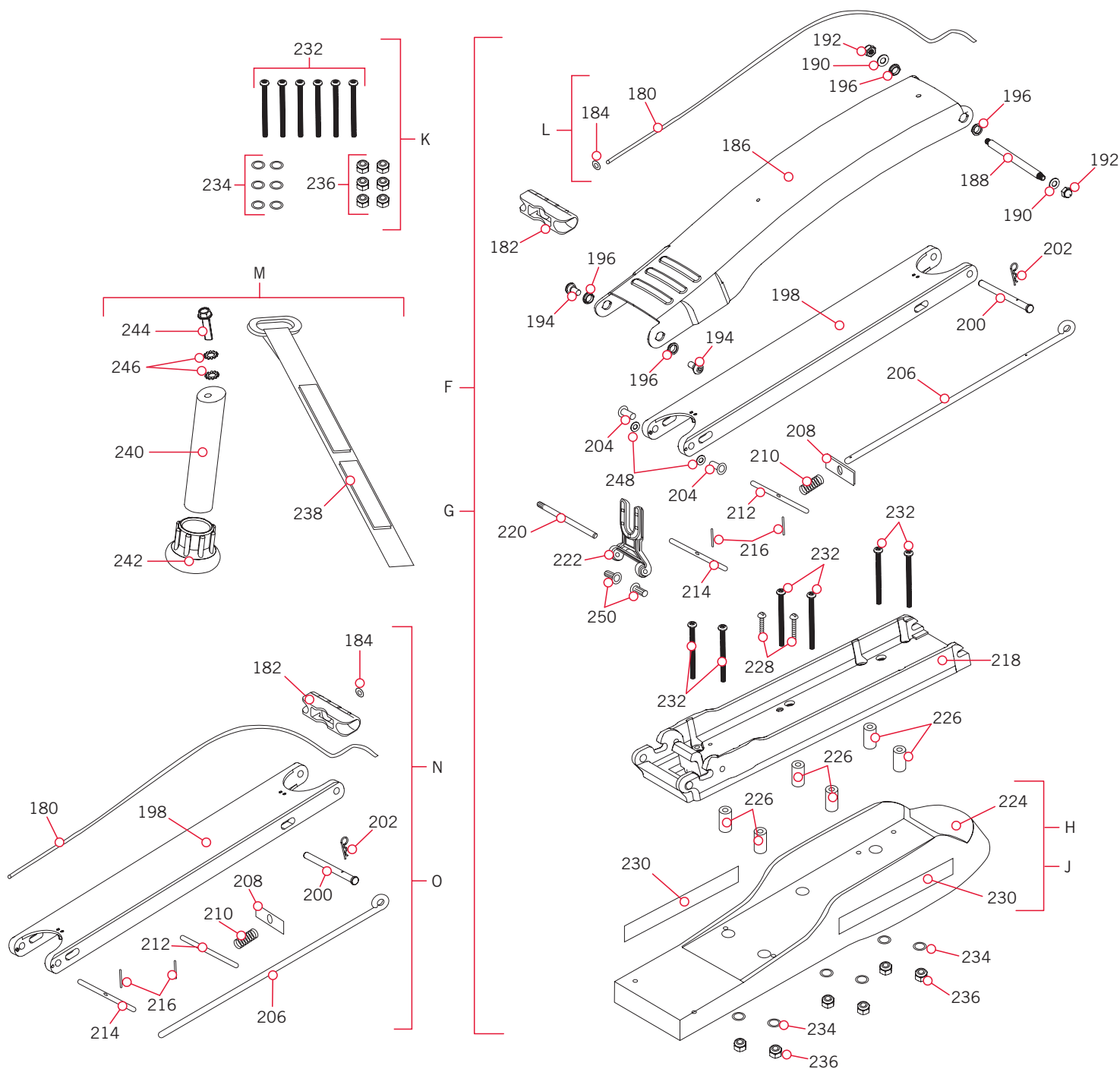
✘ This part is included in an assembly and cannot be ordered individually.



PARTS DIAGRAM & PARTS LIST

RIPTIDE MAXXUM 80 MOUNT

Mount Parts Diagram



PARTS DIAGRAM & PARTS LIST

Mount Parts List

Assembly	Part #	Description	Notes	Quantity
F	2991660	MNT ASM MAXXUM SW STD 52"	*52"*	1
G	2991661	MNT ASM MAXXUM SW LONG 62"	*62"*	1
H	2999280	MTR REST ASM MAXXUM SW STD	*52"*	1
J	2999281	MTR REST ASM MAXXUM SW LNG	*62"*	1
K	2994830	BAG ASSY-MAXXUM	*52"* *62"*	1
L	2994886	BAG ASSY, PULL GRIP/WASHER	*52"* *62"*	1
M	2994841	BAG ASSY,STABILIZER/STRAP	*62"*	1
N	2774322	ARM-LOWER ASY,STD,SW,WHT,SERV.	*52"*	1
O	2774321	ARM-LOWER ASY,LG,SW,WHT,SERV.	*62"*	1
Item	Part #	Description	Notes	Quantity
180	2251601	ROPE (44.5"), MAXXUM MNT		1
182	2150400	PULL-GRIP		1
184	2151700	WASHER-EYE SHAFT(.562 OD) SS		1
186	2264244	ARM-UPPER STD,SW,TX,WHT,ALUM.	*52"*	1
	2264249	ARM-UPPER LNG,SW,WHT,ALUM	*62"*	1
188	2262604	PIN-BWGRD,UPPER,THREADED,SS		1
190	2261722	WASHER-FLAT 5/16 S/S		2
192	2223100	NUT-5/16-18 NYLOCK S/S		2
194	2263500	BOLT, SHOULDER (MAXXUM)		2
196	2293501	BUSHING, STAINLESS STEEL		4
198	2994351	ARM-LOWER ASY,STD,SW	*52"*	1
	2994356	ARM-LOWER ASY,LNG,SW	*62"*	1
200	2262622	PIN-CLEVIS,SS,MAXXUM BWGRD		1
202	2263011	E-RING 3/8 DIA. SHAFT*		1
204	2267318	BUSHING,FLANGE,5/16 #5L7-F-642		2
206	2153603	EYE SHAFT-2LOCKBAR STD SS	*52"*	1
	2153605	EYE SHAFT-2LOCKBAR LONG SS	*62"*	1
208	2262703	SPRING STOP MAXXUM		1
210	2152701	SPRING-(LOCKBAR) SS		1
212	2233621	LOCK BAR (300 SERIES SS)		1
214	2233623	LOCK BAR, REAR, 300 SERIES SS		1
216	2152612	SPRING-PIN (LOCKBAR) 18-8 SS		2
218	2993983	BWPLT/INSRT ASY,STD,SW-WHT	*52"*	1
	2993982	BWPLT/INSRT ASY,LNG,SW-WHT	*62"*	1
220	2260505	PIN-HINGE(HEADLESS) S/S		1
222	2293811	YOKE,MAX MNT-POLYPROPYLENE		1

▲ Not shown on Parts Diagram.

* This part is included in an assembly and cannot be ordered individually.

PARTS DIAGRAM & PARTS LIST



Item	Part #	Description	Notes	Quantity
224	2263917	MOTOR REST STD RIPTIDE WHT	*52**	1
	2263919	MOTOR REST LNG RIPTIDE WHT	*62**	1
226	2261505	SPACER, MOTOR REST		6
228	2263434	SCREW-#8-18 X 1" PPH S/S		2
230	2265708	DECAL, MOTOR REST RT MAXXUM SW		2
232	2263431	SCREW-1/4-20 X 3.5 PPH		6
234	2261713	WASHER-1/4 FLAT 18-8 SS		6
236	2263103	NUT-1/4-20 NYLOCK SS		6
238	2263804	STRAP-HOLD DWN,30.5",VLCR		1
240	2268400	SHAFT-SUPPORT, MAXXUM	*62**	1
242	2268401	BUMPER-SHAFT, MAXXUM	*62**	1
244	2263464	SCREW-1/4-10 X 1 HH TYPE A SS	*62**	1
246	2011720	LOCKWASHER-PROP (SMALL)	*62**	2
248	2261708	WASHER-3/8"X1/2"X.010 (S/S)	*62**	2
250	2261540	INSERT-THREADED,BOWPLT,MAX		2
▲	2285801	HANG TAG, HOOK AND LOOP STRAP		1
▲	2006819	LABEL-CARTON "CAUTION HEAVY"		1
▲	2264990	INSTRUCTIONS STABILIZER/STRAP	*62**	1

▲ Not shown on Parts Diagram.

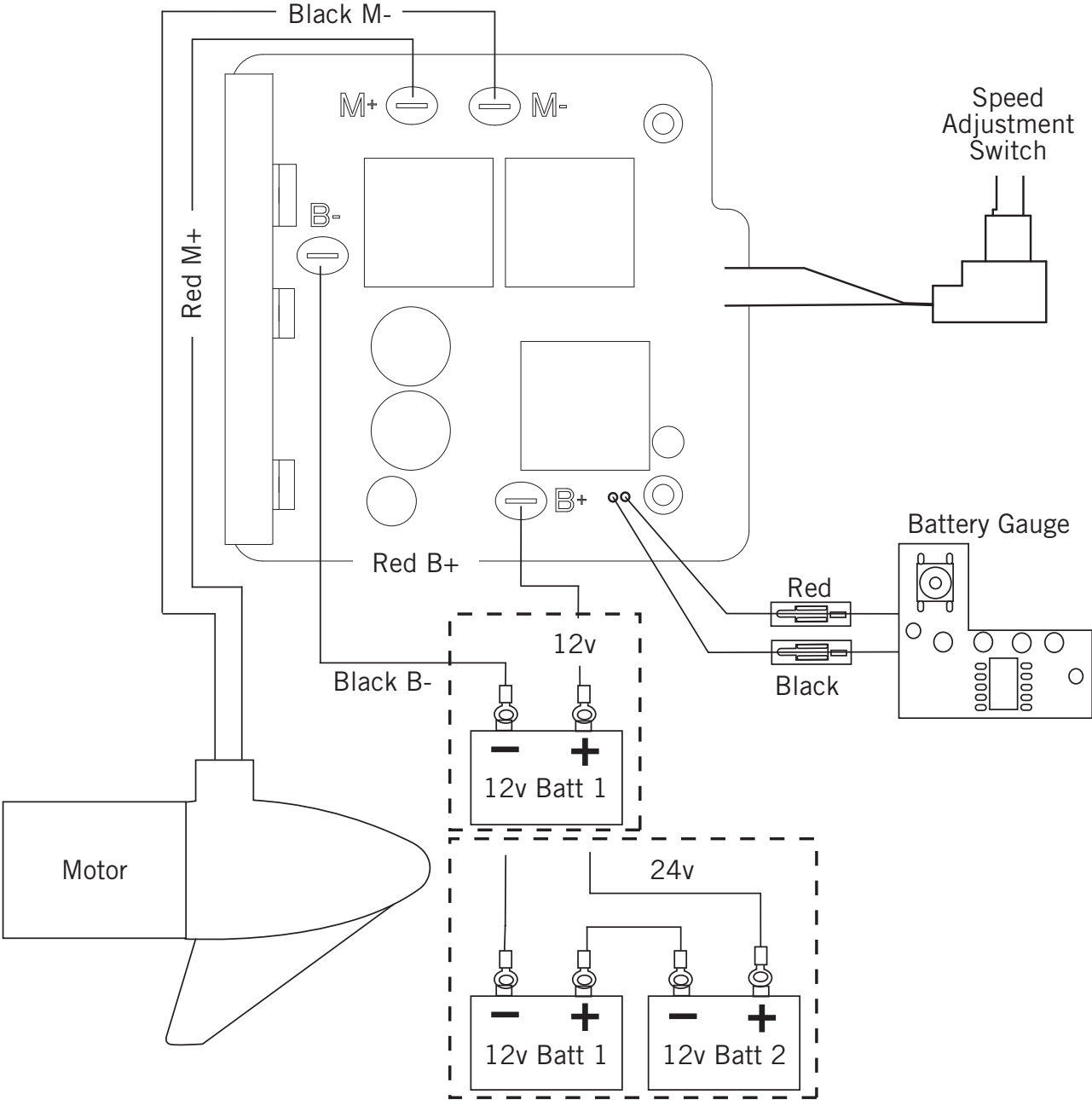
* This part is included in an assembly and cannot be ordered individually.



MOTOR WIRING DIAGRAM

RIPTIDE MAXXUM VARIABLE SPEED

The following Motor Wiring Diagram applies to all Riptide Maxxum Hand Control models that come factory installed with Variable Speed Control.



NOTICE: This is a multi-voltage diagram. Double-check your motor's voltage for proper connections. Over-Current Protection Devices are not shown in this illustration.