

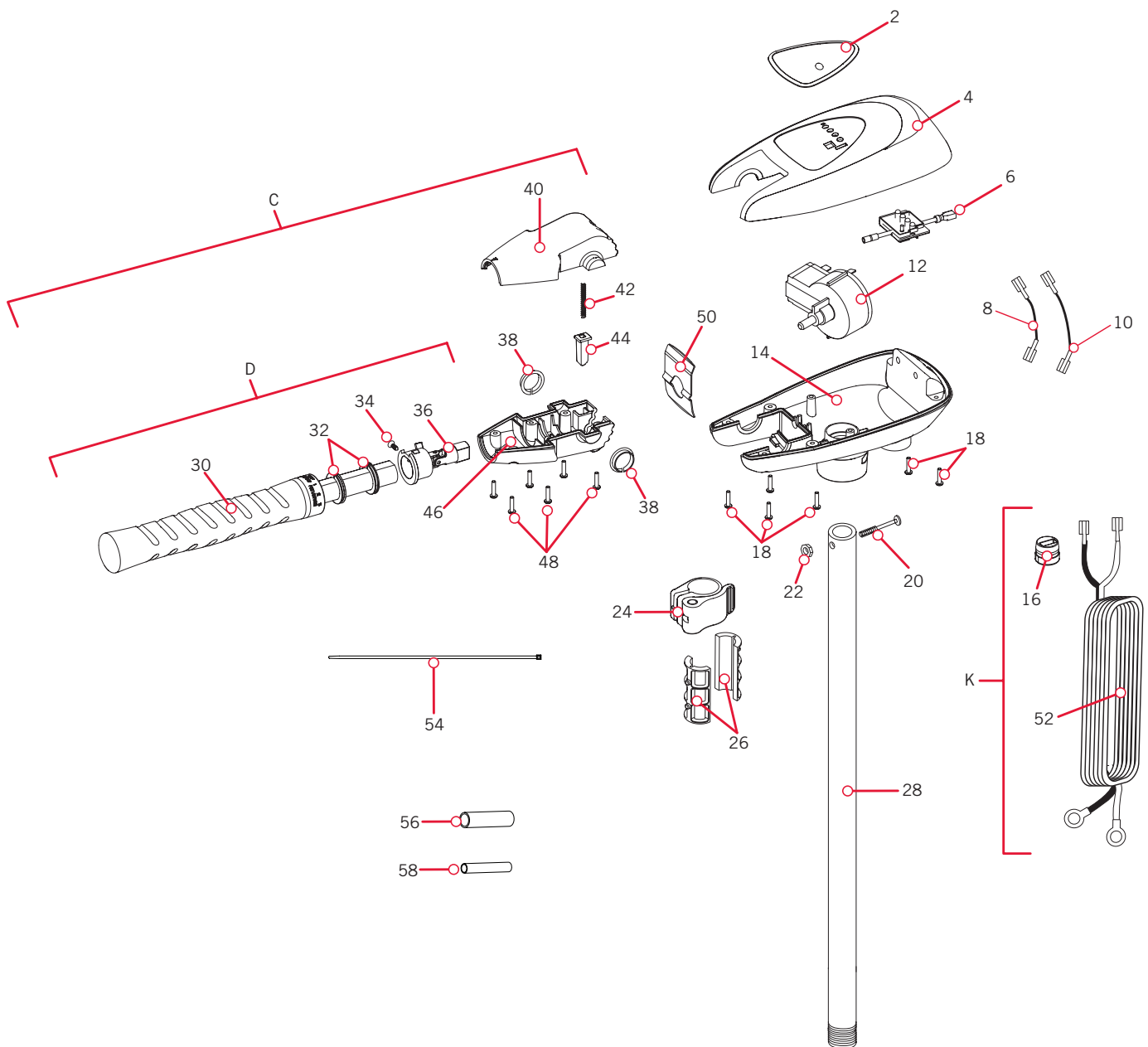
PARTS DIAGRAM & PARTS LIST

RIPTIDE MAXXUM 70/SC LATCH & DOOR - 70 LBS THRUST - 24 VOLT - 52" SHAFT

The parts diagram and parts list provides Minn Kota® WEEE compliance disassembly instructions. For more information about where you should dispose of your waste equipment for recycling and recovery and/or your European Union member state requirements, please contact your dealer or distributor from which your product was purchased. Tools required, but not limited to: flat head screwdriver, Phillips screwdriver, socket set, pliers, wire cutters.

RIPTIDE MAXXUM 70 CONTROL HEAD >

> Control Head Parts Diagram



PARTS DIAGRAM & PARTS LIST

› Control Head Parts List

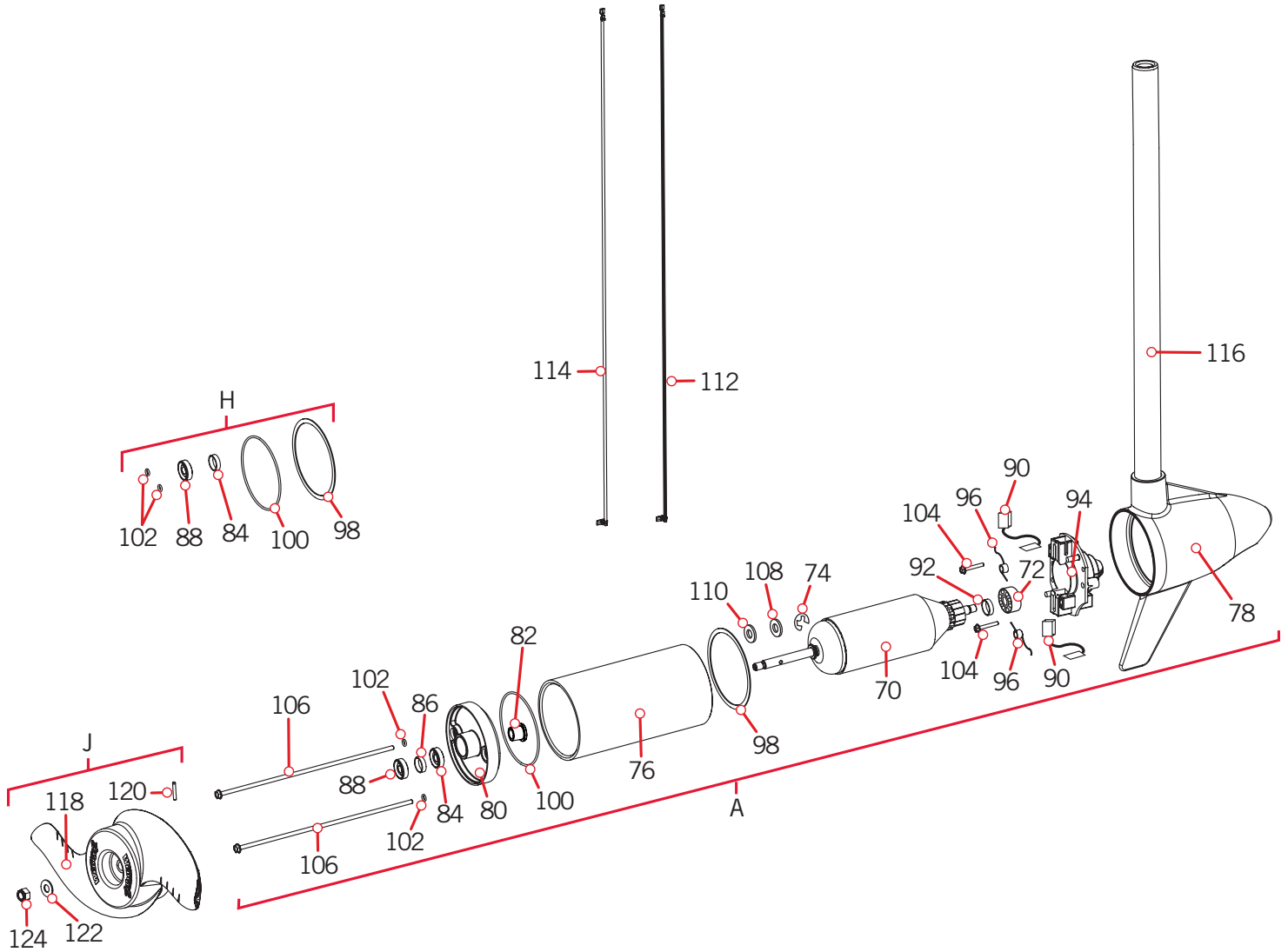
| Assembly | Part # | Description | Quantity |
|----------|---------|--------------------------------|----------|
| C | 2990467 | HANDLE ASM, 5-3 SPD, FW/SW | 1 |
| D | 2990465 | HANDLE ASM, 5-3 SPEED, TRAXXIS | 1 |
| K | 2992522 | LEADWIRE ASSY-HC BOW S/C 96" | 1 |
| Item | Part # | Description | Quantity |
| 2 | 2195665 | DECAL-COVER, RT70/SM/SC/HC | 1 |
| 4 | 2060299 | COVER CONTROL BOX TRAXXIS SW | 1 |
| 6 | 2074081 | BATTERY METER, 24V, SW | 1 |
| 8 | 2070304 | WIRE,BATTERY METER,BLK 7" 20GA | 1 |
| 10 | 2070305 | WIRE,BATTERY METER,RED 7" 20GA | 1 |
| 12 | 2064028 | SWITCH,5 SPD FORWARD,3 REVERSE | 1 |
| 14 | 2062506 | CONTROL BOX, SC, SW | 1 |
| 16 | 2062905 | STRAIN RELIEF,HEYCO 1876 | 1 |
| 18 | 2303412 | SCREW-#6-20 X 5/8 SELF TAP | 6 |
| 20 | 2033403 | SCREW-#10-24 X 1-3/4 PPH SS | 1 |
| 22 | 2333101 | NUT-HEX #10-24 UNC-2B NYL SS | 1 |
| 24 | 2991521 | CAM LOCK/DEPTH COLLAR ASY | 1 |
| 26 | 2151532 | HINGE-SLEEVE HALF-AT | 2 |
| 28 | 2002014 | TUBE (COMPOSITE) 52" WHITE | 1 |
| 30 | 2060465 | GRIP-HANDLE, RAW, TRAXXIS | 1 |
| 32 | 2060015 | BEARING, HANDLE 2990455 | 2 |
| 34 | 2063405 | SCREW-#6 X 1/2" PFH SS TY AB | 1 |
| 36 | 2994091 | YOKE ASSEMBLY,5-SPEED | 1 |
| 38 | 2060005 | BEARING-HANDLE PIVOT | 2 |
| 40 | 2060900 | PIVOT HANDLE, TOP | 1 |
| 42 | 2302745 | SPRING-RELEASE BUTTON (SS | 1 |
| 44 | 2063700 | BUTTON-RELEASE | 1 |
| 46 | 2060905 | PIVOT HANDLE, BTM | 1 |
| 48 | 2303412 | SCREW-#6-20 X 5/8 SELF TAP | 6 |
| 50 | 2062715 | SPRING, DETENT, HANDLE TILT | 1 |
| 52 | 2090653 | LEADWIRE (10 GA) TRAXXIS/HC | 1 |
| 54 | 2186300 | TIE WRAP,11.5",TEMP -40 TO 180 | 1 |
| 56 | 2305415 | SHRINK TUBE-.472 ID X 2.25" | 1 |
| 58 | 2305410 | SHRINK TUBE-.315 OD X 2.25" | 1 |
| ▲ | 2197117 | MANUAL-RT/SM | 1 |
| ▲ | 2194951 | PARTS LIST-RT70/SM/SC/L&D | 1 |
| ▲ | 2015800 | HANG TAG "CAUTION..TILT HINGE" | 1 |
| ▲ | 2015801 | HANG TAG - "CAUTION HG/DR" | 1 |

▲ Not shown on Parts Diagram.

✳ This part is included in an assembly and cannot be ordered individually.

RIPTIDE MAXXUM 70 MOTOR

Motor Parts Diagram



PARTS DIAGRAM & PARTS LIST

Motor Parts List

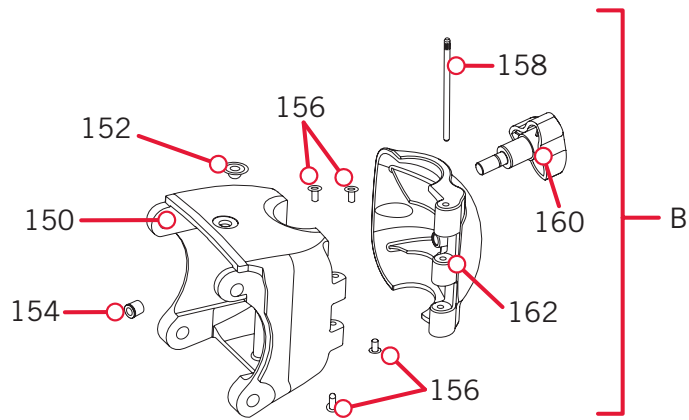
| Assembly | Part # | Description | Quantity |
|----------|------------|--------------------------------|----------|
| A | 2096066 | MTR ASY 24V 3.62 SC 70#SW | 1 |
| H | 2888460 | SEAL & O-RING KIT TURBO PRO | 1 |
| J | 1378131 | PROP IND 2091160 WDLS WDG II | 1 |
| Item | Part # | Description | Quantity |
| 70 | 2-100-128 | ARMATURE ASM 24V 3.62",70 | 1 |
| 72 | 140-010 | BEARING - BALL | 1 |
| 74 | 788-015 | RETAINING RING | 1 |
| 76 | 2-200-307 | CTR HSG ASM 3.6" SW MAGNETIZED | 1 |
| 78 | 2-300-338M | BRUSH END ASY 24V 3.625 SPCOIL | 1 |
| 80 | 2-400-337A | PLAIN END HSG ASY 3.6 TX/W | 1 |
| 82 | 144-049 | BEARING - FLANGE | 1 |
| 84 | 880-003 | SEAL | 1 |
| 86 | 725-035 | PAPER TUBE - SEAL BORE | 1 |
| 88 | 880-006 | SEAL WITH SHIELD | 1 |
| 90 | 188-038 | BRUSH ASSEMBLY, 3.625", 70# | 2 |
| 92 | 725-049 | PAPER TUBE - BRUSH RETENTION | 1 |
| 94 | 9-738-038 | BRUSH PLATE, 3.625", 70# | 1 |
| 96 | 975-042 | SPRING-TORSION, 70# LOWER UNIT | 2 |
| 98 | 337-036 | GASKET | 1 |
| 100 | 701-081 | O-RING | 1 |
| 102 | 701-008 | O-RING *THRU-BOLT* | 2 |
| 104 | 830-007 | SCREW, # 8-32 | 2 |
| 106 | 830-008 | THRU BOLT 10-32 x 9.205 | 2 |
| 108 | 990-067 | WASHER - STEEL THRUST | 1 |
| 110 | 990-070 | WASHER - NYLATRON | 1 |
| 112 | 640-023 | LEADWIRE BLK 10 AWG 69" GPT | 1 |
| 114 | 640-129 | LEADWIRE RED 10 AWG 71" GPT | 1 |
| 116 | 2002014 | TUBE (COMPOSITE) 52" WHITE | 1 |
| 118 | 2091160 | PROP-WW2 (3 5/8") REAMED | 1 |
| 120 | 2092600 | PIN-DRIVE 1.06" LG (SS) | 1 |
| 122 | 2151726 | WASHER-5/16 STD (S/S) | 1 |
| 124 | 2053101 | NUT-PROP,NYLOC (MED) 5/16 SS | 1 |
| ▲ | ✘ | RIVET-.25" | 4 |

▲ Not shown on Parts Diagram.

✘ This part is included in an assembly and cannot be ordered individually.

RIPTIDE MAXXUM 70 HINGE BASE >

> Hinge Base Parts Diagram



PARTS DIAGRAM & PARTS LIST



› Hinge Base Parts List

| Assembly | Part # | Description | Quantity |
|----------|---------|--------------------------------|----------|
| B | 2991808 | HINGE BASE ASSY,SW,WHT | 1 |
| Item | Part # | Description | Quantity |
| 140 | 2991782 | HINGE BASE W/BUSHINGS SW | 1 |
| 142 | 2262315 | EYELET-ROPE,STAINLESS STEEL | 1 |
| 144 | 2264706 | INSERT-HINGE BASE(STD MT) | 1 |
| 146 | 2236001 | BEARING NYLINER ID .188 X .220 | 4 |
| 148 | 2262642 | PIN-HINGE DOOR, RT HNG/DOOR | 1 |
| 150 | 2260902 | KNOB-SOFT GRIP | 1 |
| 152 | 2261859 | HINGE DOOR, SW TXT WHITE | 1 |

▲ Not shown on Parts Diagram.

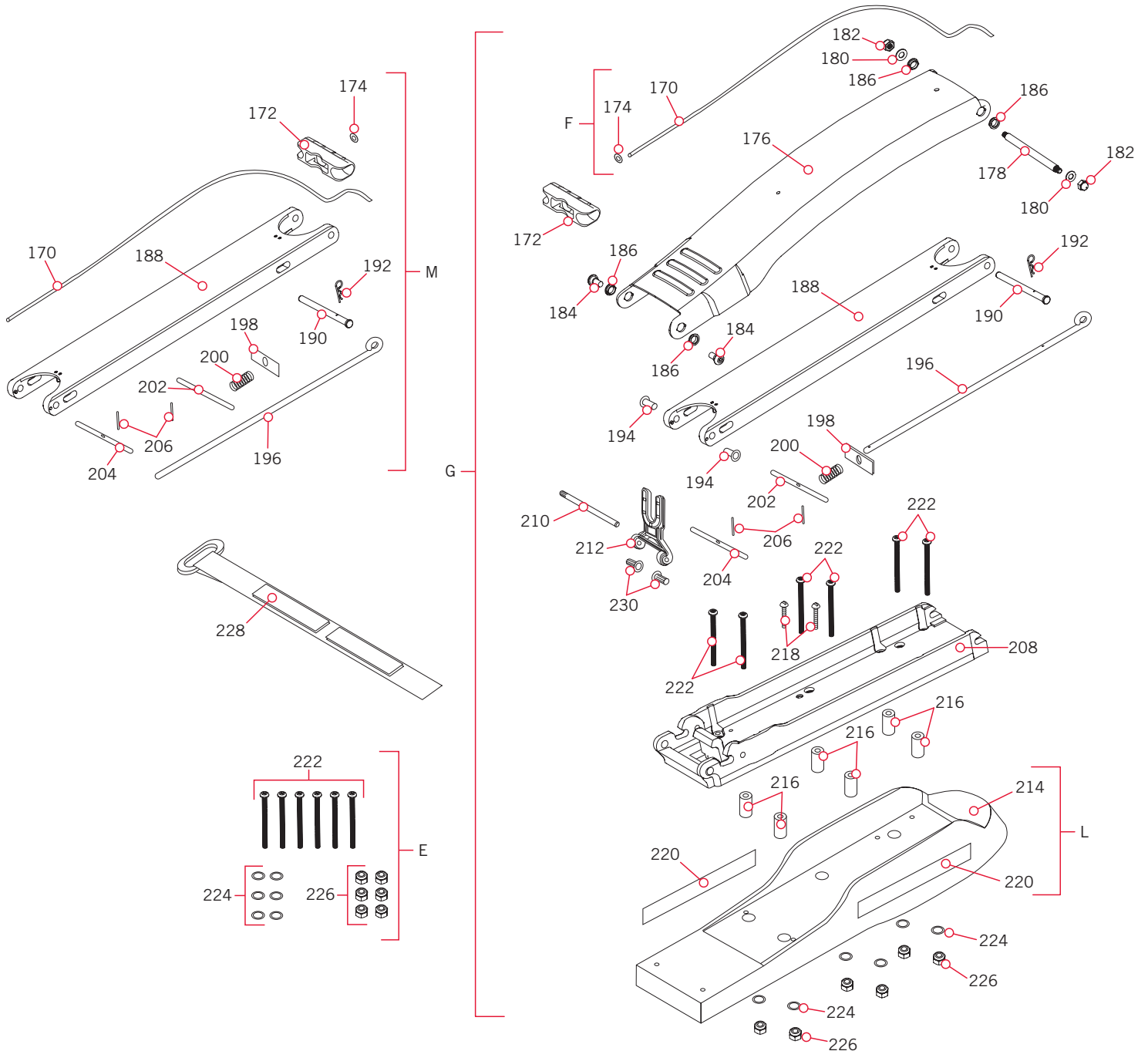
✘ This part is included in an assembly and cannot be ordered individually.



PARTS DIAGRAM & PARTS LIST

RIPTIDE MAXXUM 70 MOUNT

Mount Parts Diagram



PARTS DIAGRAM & PARTS LIST

Mount Parts List

| Assembly | Part # | Description | Quantity |
|----------|---------|--------------------------------|----------|
| E | 2994830 | BAG ASSY-MAXXUM | 1 |
| F | 2994886 | BAG ASSY, PULL GRIP/WASHER | 1 |
| G | 2991660 | MNT ASM MAXXUM SW STD | 1 |
| L | 2999280 | MTR REST ASM MAXXUM SW STD | 1 |
| M | 2774322 | ARM-LOWER ASY,STD,SW,WHT,SERV. | 1 |
| Item | Part # | Description | Quantity |
| 170 | 2251601 | ROPE (44.5"), MAXXUM MNT | 1 |
| 172 | 2150400 | PULL-GRIP | 1 |
| 174 | 2151700 | WASHER-EYE SHAFT(.562 OD) SS | 1 |
| 176 | 2264244 | ARM-UPPER STD.SW,TX,WHT,ALUM. | 1 |
| 178 | 2262604 | PIN-BWGRD,UPPER,THREADED,SS | 1 |
| 180 | 2261722 | WASHER-FLAT 5/16 S/S | 2 |
| 182 | 2223100 | NUT-5/16-18 NYLOCK S/S | 2 |
| 184 | 2263500 | BOLT, SHOULDER (MAXXUM) | 2 |
| 186 | 2293501 | BUSHING, STAINLESS STEEL | 4 |
| 188 | 2994351 | ARM-LOWER ASSY,STD,SW | 1 |
| 190 | 2262622 | PIN-CLEVIS,SS,MAXXUM BWGRD | 1 |
| 192 | 2263011 | E-RING 3/8 DIA. SHAFT* | 1 |
| 194 | 2267318 | BUSHING,FLANGE,5/16 #5L7-F-642 | 2 |
| 196 | 2153603 | EYE SHAFT-2LOCKBAR STD SS | 1 |
| 198 | 2262703 | SPRING STOP MAXXUM | 1 |
| 200 | 2152701 | SPRING-(LOCKBAR) SS | 1 |
| 202 | 2233621 | LOCK BAR (300 SERIES SS) | 1 |
| 204 | 2233623 | LOCK BAR, REAR, 300 SERIES SS | 1 |
| 206 | 2152612 | SPRING-PIN (LOCKBAR) 18-8 SS | 2 |
| 208 | 2993983 | BWPLT/INSRT ASY,STD,SW-WHT | 1 |
| 210 | 2260505 | PIN-HINGE(HEADLESS) S/S | 1 |
| 212 | 2293811 | YOKE,MAX MNT-POLYPROPYLENE | 1 |
| 214 | 2263917 | MOTOR REST STD RIPTIDE WHT | 1 |
| 216 | 2261505 | SPACER, MOTOR REST | 6 |
| 218 | 2263434 | SCREW-#8-18 X 1" PPH S/S | 2 |
| 220 | 2265708 | DECAL, MOTOR REST RT MAXXUM SW | 2 |
| 222 | 2263431 | SCREW-1/4-20 X 3.5 PPH | 6 |
| 224 | 2261713 | WASHER-1/4 FLAT 18-8 SS | 6 |
| 226 | 2263103 | NUT-1/4-20 NYLOCK SS | 6 |
| 228 | 2263804 | STRAP-HOLD DWN,30.5",VLCR | 1 |

▲ Not shown on Parts Diagram.

* This part is included in an assembly and cannot be ordered individually.

PARTS DIAGRAM & PARTS LIST



| Item | Part # | Description | Quantity |
|------|---------|-------------------------------|----------|
| 230 | 2261540 | INSERT-THREADED,BOWPLT,MAX | 2 |
| ▲ | 2285801 | HANG TAG, HOOK AND LOOP STRAP | 1 |
| ▲ | 2006819 | LABEL-CARTON "CAUTION HEAVY" | 1 |

▲ Not shown on Parts Diagram.

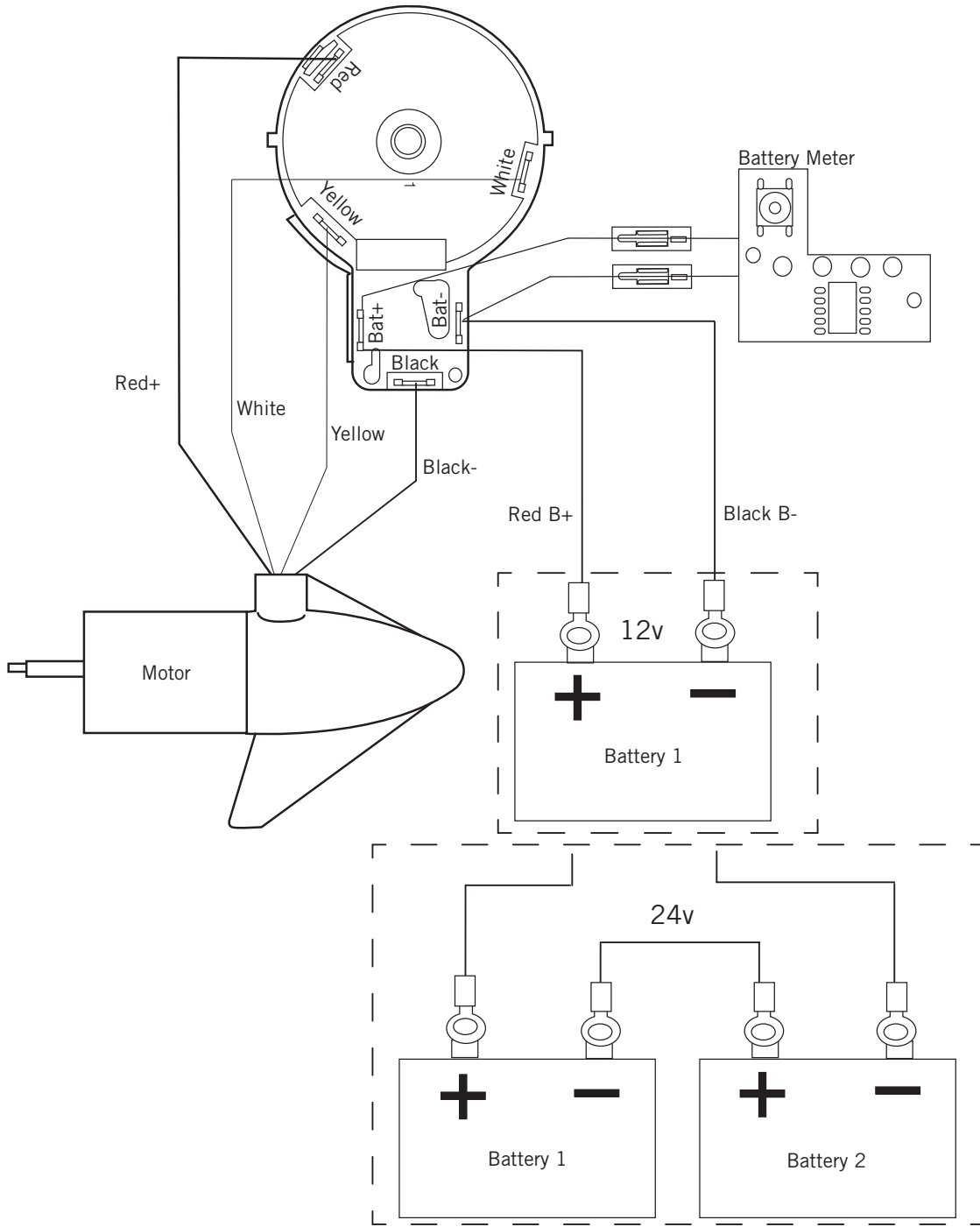
✘ This part is included in an assembly and cannot be ordered individually.



MOTOR WIRING DIAGRAM

RIPTIDE MAXXUM 5-SPEED SWITCH

The following Motor Wiring Diagram applies to all Riptide Maxxum Foot Control models that come factory installed with a Five-Speed Switch.



NOTICE: This is a multi-voltage diagram. Double-check your motor's voltage for proper connections. Over-Current Protection Devices are not shown in this illustration.