

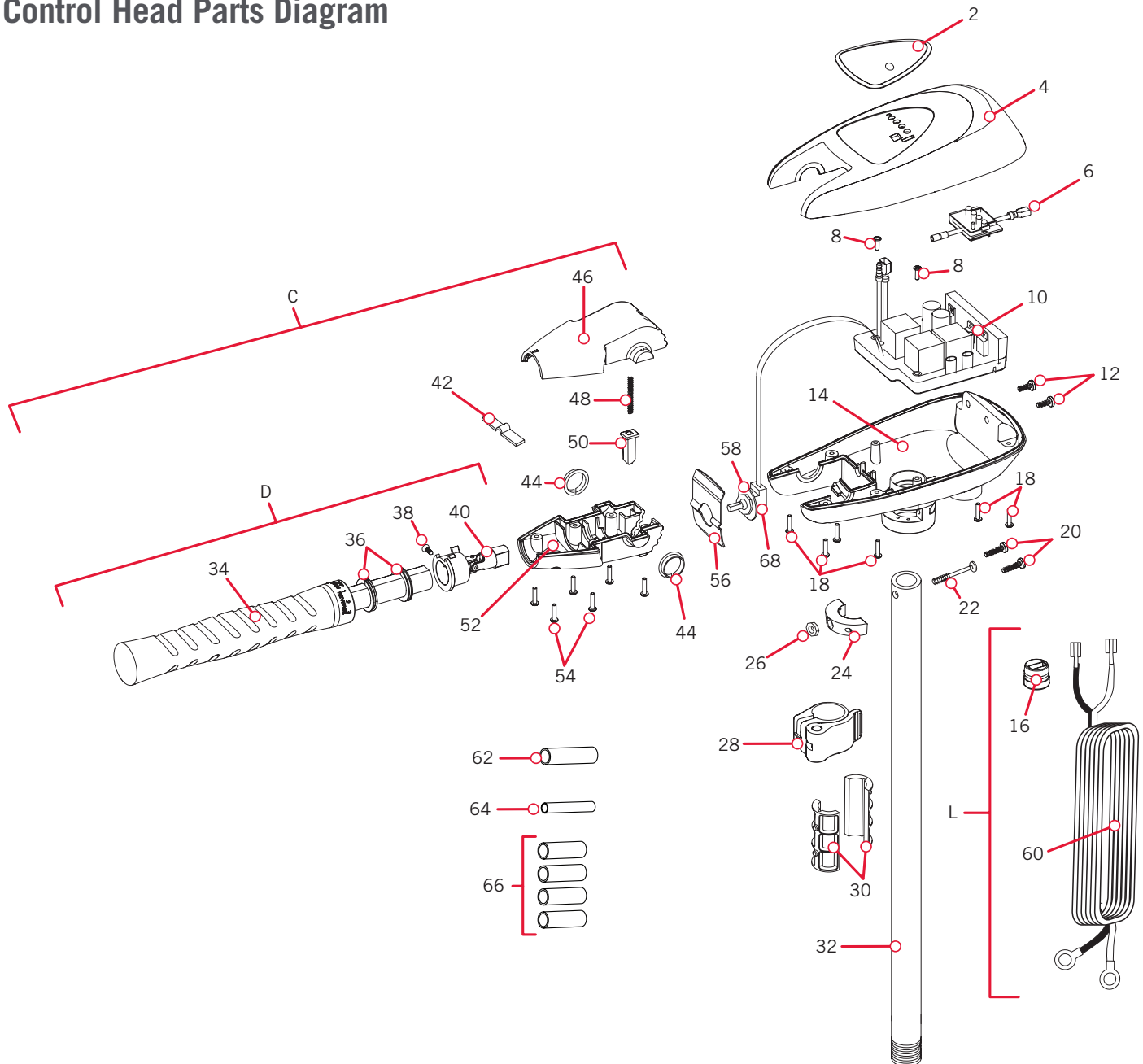
PARTS DIAGRAM & PARTS LIST

RIPTIDE MAXXUM 55 LATCH & DOOR - 55 LBS THRUST - 12 VOLT - 52" SHAFT

The parts diagram and parts list provides Minn Kota® WEEE compliance disassembly instructions. For more information about where you should dispose of your waste equipment for recycling and recovery and/or your European Union member state requirements, please contact your dealer or distributor from which your product was purchased. Tools required, but not limited to: flat head screwdriver, Phillips screwdriver, socket set, pliers, wire cutters.

RIPTIDE MAXXUM 55 CONTROL HEAD >

> Control Head Parts Diagram



PARTS DIAGRAM & PARTS LIST

› Control Head Parts List

Assembly	Part #	Description	Quantity
C	2990468	HANDLE ASM, VAR SPD, FW/SW	1
D	2990466	HANDLE ASM, VAR.SPEED, TRAXXIS	1
L	2992521	LEADWIRE ASSY-HC BOW VAR 96	1
Item	Part #	Description	Quantity
2	2195662	DECAL-COVER, RT55 SE, SM	1
4	2060299	COVER CONTROL BOX TRAXXIS SW	1
6	2074080	BATTERY METER, 12V, SW	1
8	2043427	SCREW-#8 X 7/8 PPH TY BT SS	2
10	2184026	CTRL BRD ASSY,12V TRAXXIS	1
12	2303434	SCREW-#8-32 X 5/8 MACH PHCR SS	2
14	2062538	CONTROL BOX, CAST, SW	1
16	2062905	STRAIN RELIEF,HEYCO 1876	1
18	2303412	SCREW-#6-20 X 5/8 SELF TAP	6
20	2063410	SCREW-#10-32 X 3/4" CAP SS	2
22	2093400	SCREW-#10-24 X 1-7/8 PPH SS	1
24	2061529	COLLAR-CTRL BOX (SW)	1
26	2333101	NUT-HEX #10-24 UNC-2B NYL SS	1
28	2991521	CAM LOCK/DEPTH COLLAR ASY	1
30	2151532	HINGE-SLEEVE HALF-AT	2
32	2002014	TUBE (COMPOSITE) 52" WHITE	1
34	2060465	GRIP-HANDLE, RAW, TRAXXIS	1
36	2060015	BEARING, HANDLE 2990455	2
38	2063405	SCREW-#6 X 1/2" PFH SS TY AB	1
40	2994092	YOKE ASY,VAR.2990455	1
42	2302742	SPRING-DETENT(OFF) (SS)	1
44	2060005	BEARING-HANDLE PIVOT	2
46	2060900	PIVOT HANDLE, TOP	1
48	2302745	SPRING-RELEASE BUTTON (SS)	1
50	2063700	BUTTON-RELEASE	1
52	2060905	PIVOT HANDLE, BTM	1
54	2303412	SCREW-#6-20 X 5/8 SELF TAP	6
56	2062715	SPRING, DETENT, HANDLE TILT	1
58	2061700	WASHER, POT HOLDER	1
60	2090650	LEADWIRE (10 GA) MAX/AT HAND	1
62	2305415	SHRINK TUBE-.472 ID X 2.25"	1
64	2305410	SHRINK TUBE-.315 OD X 2.25"	1

▲ Not shown on Parts Diagram.

✳ This part is included in an assembly and cannot be ordered individually.

PARTS DIAGRAM & PARTS LIST



Item	Part #	Description	Quantity
66	2305403	SHRINK TUBE-.500 IDX1.0" ADHSV	4
68	2888411	POTENTIOMETER ASSY	1
▲	2197117	MANUAL-RT/SM	1
▲	2194950	PARTS LIST-RT55/SM/L&D	1
▲	2015800	HANG TAG "CAUTION..TILT HINGE"	1

▲ Not shown on Parts Diagram.

✘ This part is included in an assembly and cannot be ordered individually.

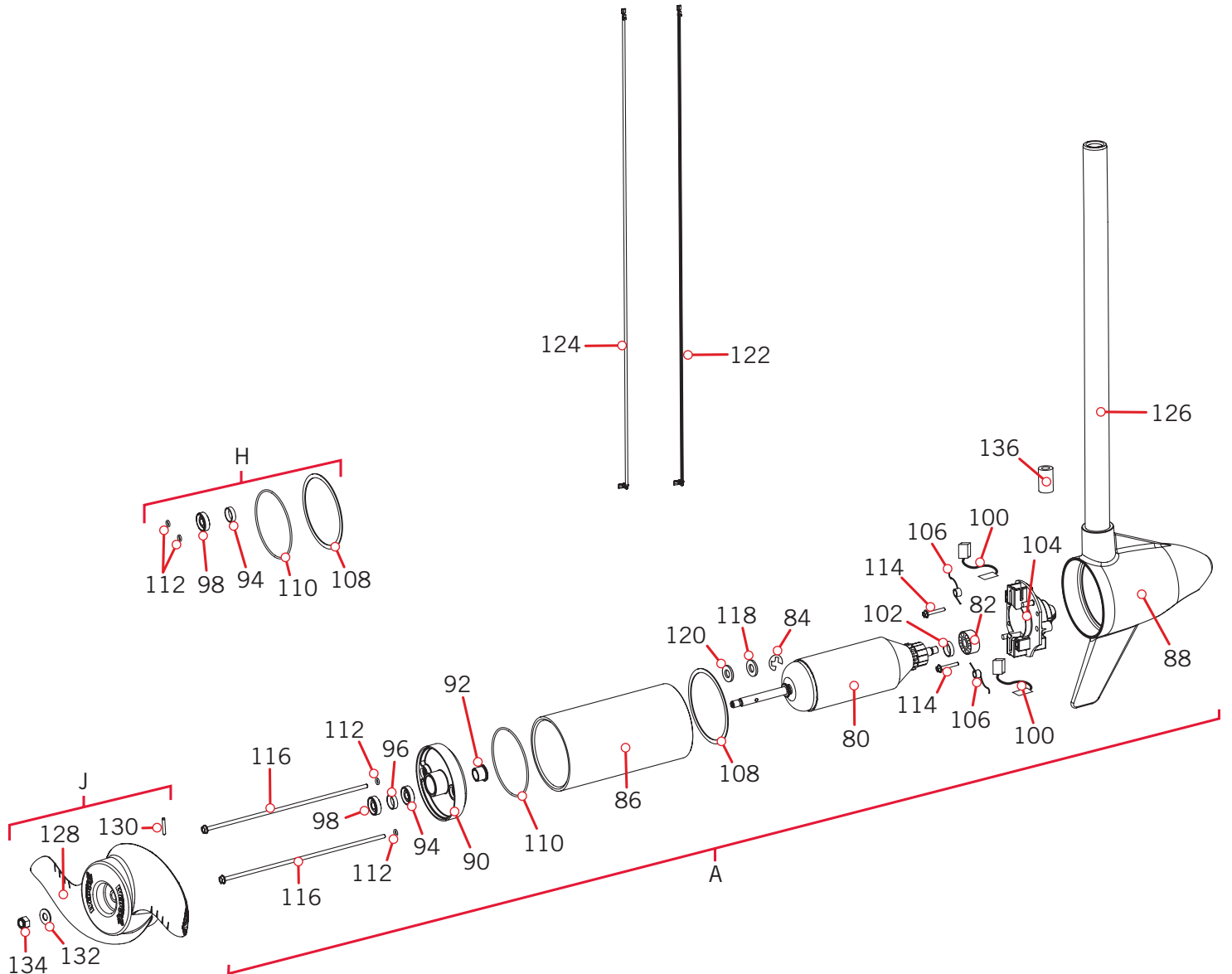


PARTS DIAGRAM & PARTS LIST



RIPTIDE MAXXUM 55 MOTOR

Motor Parts Diagram



PARTS DIAGRAM & PARTS LIST

Motor Parts List

Assembly	Part #	Description	Quantity
A	2097091	MTR ASY 12V 3.62 VS 55# SW	1
H	2888460	SEAL & O-RING KIT TURBO PRO	1
J	1378131	PROP IND 2091160 WDLS WDG II	1
Item	Part #	Description	Quantity
80	2-100-117A	ARM ASY 12V 3.62 55#2.88"	1
82	140-010	BEARING - BALL	1
84	788-015	RETAINING RING	1
86	2-200-302A	CTR HSG ASM 3.6" SW MAGNETIZED	1
88	421-336	HSG BRSH END 3.62 SW TXT/WHITE	1
90	2-400-337A	PLAIN END HSG ASY 3.6 TX/W	1
92	144-049	BEARING - FLANGE	1
94	880-003	SEAL	1
96	725-035	PAPER TUBE - SEAL BORE	1
98	880-006	SEAL WITH SHIELD	1
100	188-036	BRUSH ASSEMBLY 3.625	2
102	725-050	PAPER TUBE - BRUSH RETENTION	1
104	738-036	BRUSH PLATE WITH HOLDER 3.625	1
106	975-040	SPRING - TORSION	2
108	337-036	GASKET	1
110	701-081	O-RING	1
112	701-008	O-RING *THRU-BOLT*	2
114	830-007	SCREW, # 8-32	2
116	830-042	THRU BOLT 10-32 X 8.83	2
118	990-067	WASHER - STEEL THRUST	1
120	990-070	WASHER - NYLATRON	1
122	640-008	LEADWIRE BLK 10AWG 63-1/2" GPT	1
124	640-107	LEADWIRE RED 10AWG 65-1/2" GPT	1
126	2002014	TUBE (COMPOSITE) 52" WHITE	1
128	2091160	PROP-WW2 (3 5/8") REAMED	1
130	2092600	PIN-DRIVE 1.06" LG (SS)	1
132	2151726	WASHER-5/16 STD (S/S)	1
134	2053101	NUT-PROP,NYLOC (MED) 5/16 SS	1
136	2307317	FERRITE BEAD, SHORT	1

▲ Not shown on Parts Diagram.

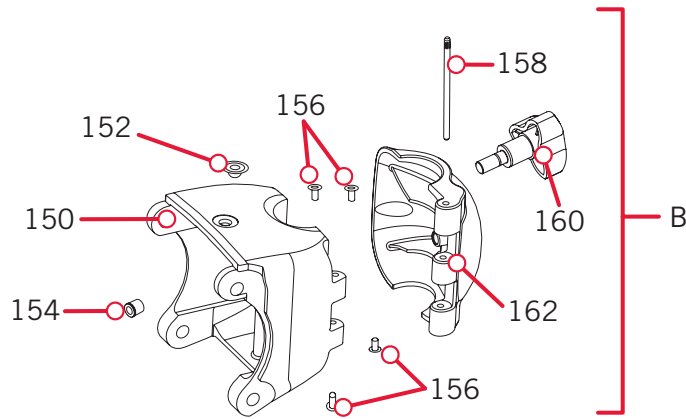
✳ This part is included in an assembly and cannot be ordered individually.

PARTS DIAGRAM & PARTS LIST



RIPTIDE MAXXUM 55 HINGE BASE >

> Hinge Base Parts Diagram





› Hinge Base Parts List

Assembly	Part #	Description	Quantity
B	2991808	HINGE BASE ASSY,SW,WHT	1
Item	Part #	Description	Quantity
150	2991782	HINGE BASE W/BUSHINGS SW	1
152	2262315	EYELET-ROPE,STAINLESS STEEL	1
154	2264706	INSERT-HINGE BASE(STD MT)	1
156	2236001	BEARING NYLINER ID .188 X .220	4
158	2262642	PIN-HINGE DOOR, RT HNG/DOOR	1
160	2260902	KNOB-SOFT GRIP	1
162	2261859	HINGE DOOR, SW TXT WHITE	1

▲ Not shown on Parts Diagram.

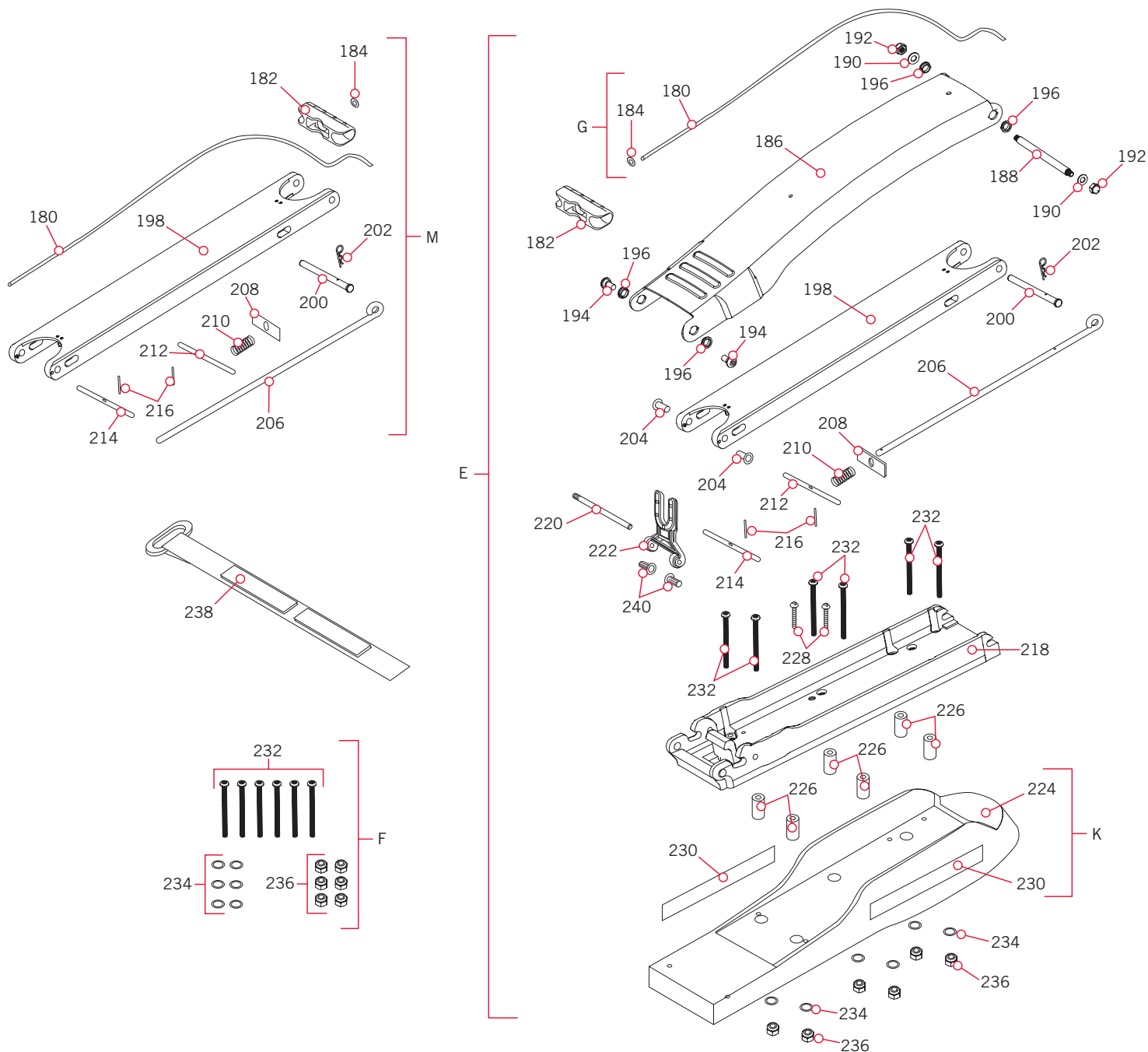
✘ This part is included in an assembly and cannot be ordered individually.



PARTS DIAGRAM & PARTS LIST

RIPTIDE MAXXUM 55 MOUNT

Mount Parts Diagram



PARTS DIAGRAM & PARTS LIST

Mount Parts List

Assembly	Part #	Description	Quantity
E	2991660	MNT ASM MAXXUM SW STD	1
F	2994830	BAG ASSY-MAXXUM	1
G	2994886	BAG ASSY, PULL GRIP/WASHER	1
K	2999280	MTR REST ASM MAXXUM SW STD	1
M	2774322	ARM-LOWER ASY,STD,SW,WHT,SERV.	1
Item	Part #	Description	Quantity
180	2251601	ROPE (44.5"), MAXXUM MNT	1
182	2150400	PULL-GRIP (RAW)	1
184	2151700	WASHER-EYE SHAFT(.562 OD) SS	1
186	2264244	ARM-UPPER STD,SW,TX,WHT,ALUM.	1
188	2262604	PIN-BWGRD,UPPER,THREADED,SS	1
190	2261722	WASHER-FLAT 5/16 S/S	2
192	2223100	NUT-5/16-18 NYLOCK S/S	2
194	2263500	BOLT, SHOULDER (MAXXUM)	2
196	2293501	BUSHING, STAINLESS STEEL	4
198	2994351	ARM-LOWER ASSY,STD,SW	1
200	2262622	PIN-CLEVIS,SS,MAXXUM BWGRD	1
202	2263011	E-RING 3/8 DIA. SHAFT*	1
204	2267318	BUSHING,FLANGE,5/16 #5L7-F-642	2
206	2153603	EYE SHAFT-2LOCKBAR STD SS	1
208	2262703	SPRING STOP MAXXUM	1
210	2152701	SPRING-(LOCKBAR) SS	1
212	2233621	LOCK BAR (300 SERIES SS)	1
214	2233623	LOCK BAR, REAR, 300 SERIES SS	1
216	2152612	SPRING-PIN (LOCKBAR) 18-8 SS	2
218	2993983	BWPLT/INSRT ASY,STD,SW-WHT	1
220	2260505	PIN-HINGE(HEADLESS) S/S	1
222	2293811	YOKE,MAX MNT-POLYPROPYLENE	1
224	2263917	MOTOR REST STD RIPTIDE WHT	1
226	2261505	SPACER, MOTOR REST	6
228	2263434	SCREW-#8-18 X 1" PPH S/S	2
230	2265708	DECAL, MOTOR REST RT MAXXUM SW	2
232	2263431	SCREW-1/4-20 X 3.5 PPH	6
234	2261713	WASHER-1/4 FLAT 18-8 SS	6
236	2263103	NUT-1/4-20 NYLOCK SS	6
238	2263804	STRAP-HOLD DWN,30.5",VLGR	1

▲ Not shown on Parts Diagram.

✱ This part is included in an assembly and cannot be ordered individually.

PARTS DIAGRAM & PARTS LIST



Item	Part #	Description	Quantity
240	2261540	INSERT-THREADED,BOWPLT,MAX	2
▲	2285801	HANG TAG, HOOK AND LOOP STRAP	1
▲	2006819	LABEL-CAUTION "CAUTION HEAVY"	1
▲	2015801	HANG TAG-PINK "CAUTION..HG/DR"	1

▲ Not shown on Parts Diagram.

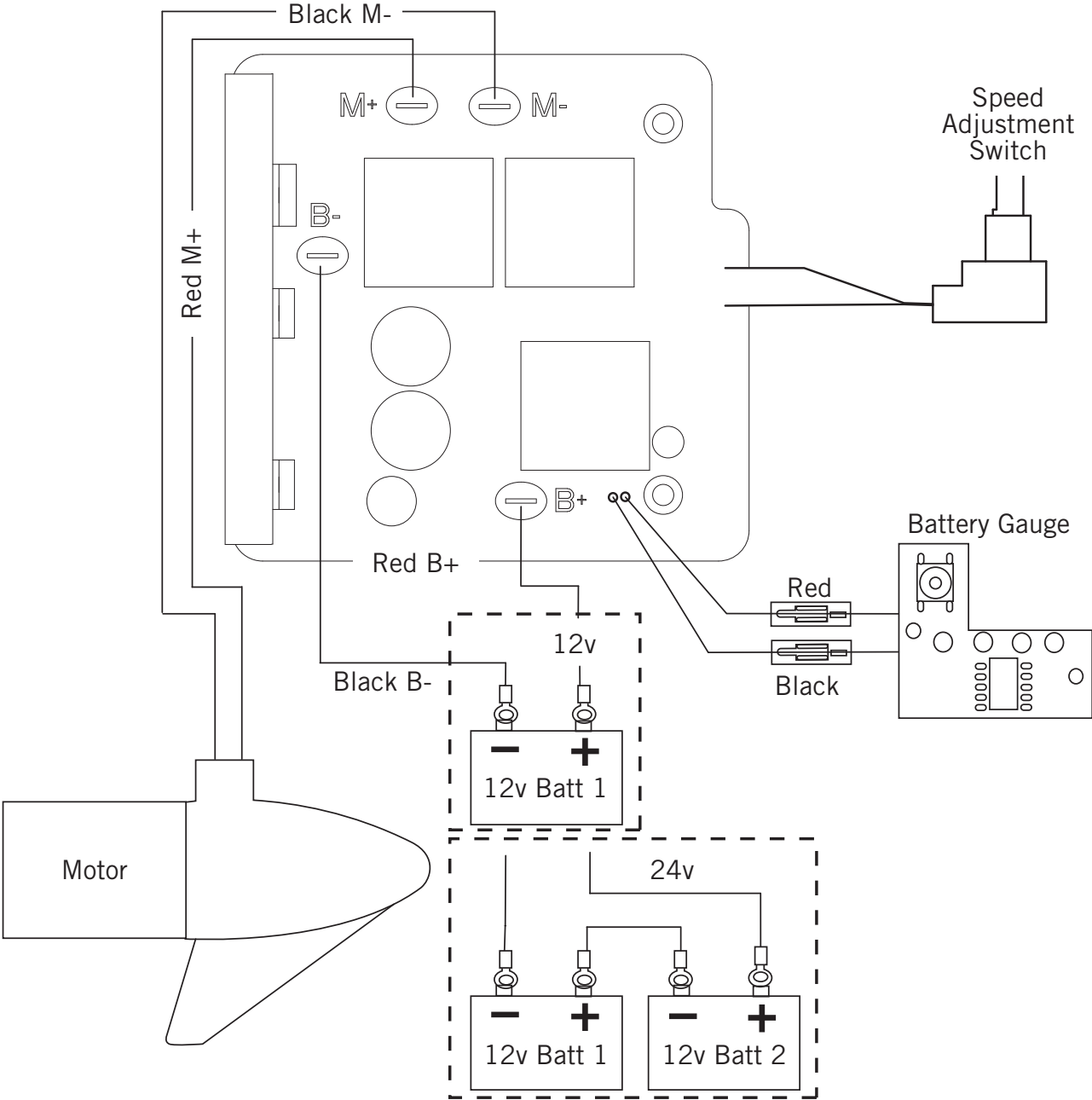
✘ This part is included in an assembly and cannot be ordered individually.



MOTOR WIRING DIAGRAM

RIPTIDE MAXXUM VARIABLE SPEED

The following Motor Wiring Diagram applies to all Riptide Maxxum Hand Control models that come factory installed with Variable Speed Control.



NOTICE: This is a multi-voltage diagram. Double-check your motor's voltage for proper connections. Over-Current Protection Devices are not shown in this illustration.