

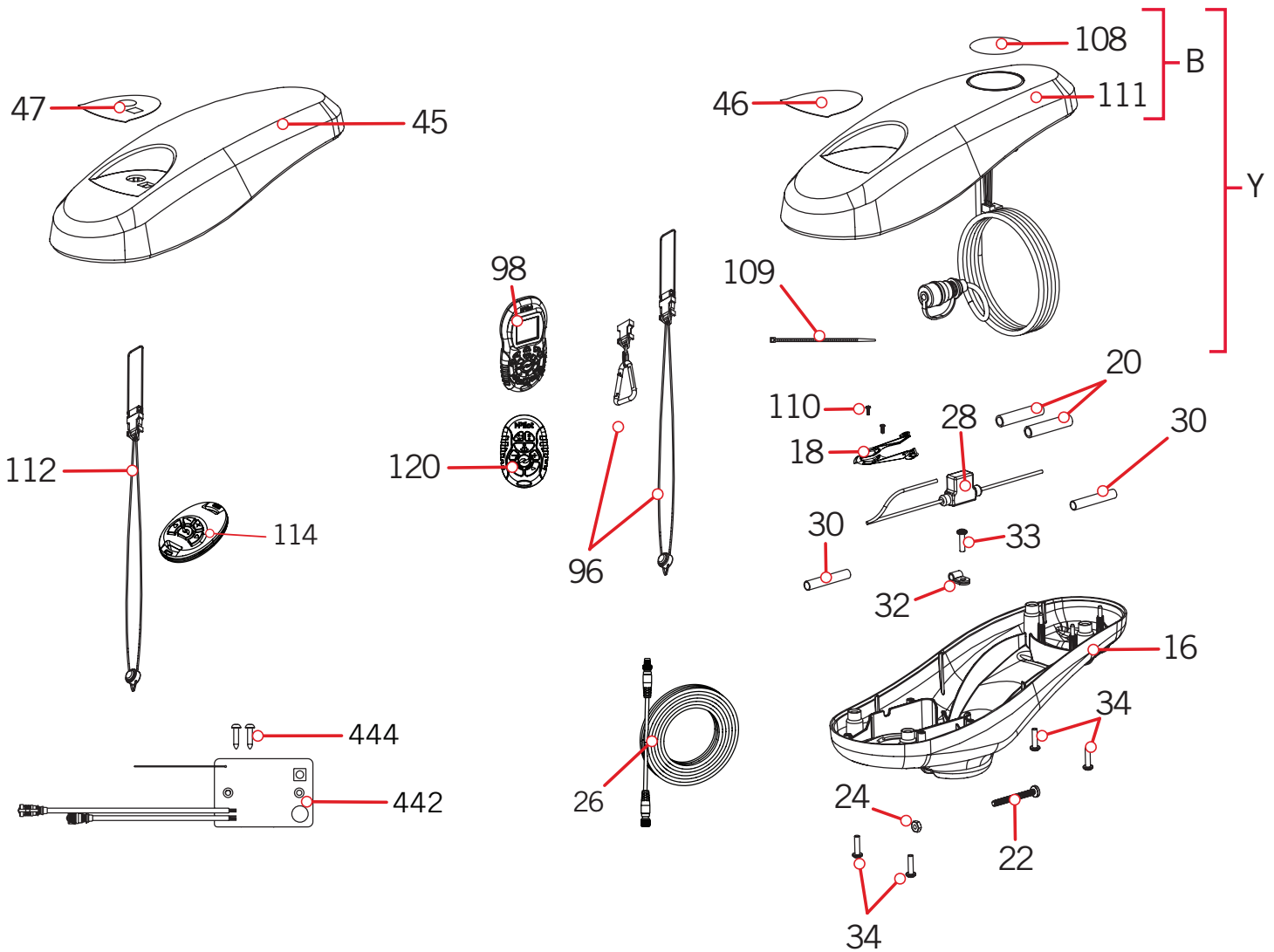
PARTS DIAGRAM & PARTS LIST

POWERDRIVE - 45/50/55/70 LBS THRUST - 12/24 VOLT - 48"/54"/60" SHAFT

The parts diagram and parts list provides Minn Kota® WEEE compliance disassembly instructions. For more information about where you should dispose of your waste equipment for recycling and recovery and/or your European Union member state requirements, please contact your dealer or distributor from which your product was purchased. Tools required, but not limited to: flat head screwdriver, Phillips screwdriver, socket set, pliers, wire cutters.

POWERDRIVE CONTROL HEAD >

> Control Head Parts Diagram



PARTS DIAGRAM & PARTS LIST

Control Head Parts List

Assembly	Part #	Description	Quantity
B	2770218 ◆	COVER KIT, iP 1.6 PWRDRIVE POWERDRIVE SERVICE MK LOGO *i-PILOT COVER & DECALS ONLY*	1
Y	2774125 ◆	MOTOR KIT, iPLT 1.6 POWERDRIVE *i-PILOT RECEIVER*	1
Item	Part #	Description	Quantity
16	2292505	CONTROL BOX (PD/AP)	1
18	2224706	PLUG, SCREW-DOWN, BLK	1
20	2065400	WIRE INSULATOR-LGE 1-3/4,BLUE	2
22	2383407	SCREW-#10-24 X 2" PPH ZINC	1
24	2013110	NUT-HEX #10-24 UNC-2B (ZCP)	1
26	2211415 ◆	CABLE-EXTENSION, PD/AP 110" *iPILOT*	1
28	2218201	FUSE HOLDER ASSEMBLY	1
30	2375400	SHRINK TUBE-1/4OD X 1-3/4	2
32	2052510 ◆	CABLE CLAMP, 3/16", NYLON *iPILOT*	1
33	2012100 ◆	SCREW-#8-18 X 5/8 THD CUT*Z/P	1
34	2372100	SCREW-#8-18 X 5/8 THD* (SS)	4
	2012100	SCREW-#8-18 X 5/8 THD CUT*Z/P	4
45	2290217	CVR, CTRL BOX, V3 PRINTED	1
46	2315603 ◆	DECAL-PUSH BTN TOP,PD V3 70 iP *70LB THRUST*	1
	2395552 ◆	DECAL,PUSH BTN TOP PD/iP 55 *55LB THRUST	1
	2315730 ◆	DECAL-GENERIC, PUSH BTN TOP FW *45LB THRUST*	1
47	2315623	DECAL-COVER, 70 POWERDRIVE *70LB THRUST*	1
	2315619	DECAL-COVER, 50 POWERDRIVE *50LB THRUST*	1
	2315621	DECAL-COVER, 55 POWERDRIVE *55LB THRUST*	1
	2315618	DECAL-COVER, 45 POWERDRIVE *45LB THRUST*	1
	2315617	DECAL-COVER, 42 POWERDRIVE *42LB THRUST*	1
96	2390800 ◆	LANYARD, REMOTE W/ CARABINER	1
98	2994075 ◆	REMOTE ASSY, IPILOT 1.6	1
108	2395545 ◆	DECAL, DOMED IPILOT FW	1
▲	2317122	MANUAL-INSTALL GUIDE,PWRDRV BT	1
▲	2297165	MANUAL-DISCLAIMER,DWNLOAD INFO	1
▲	2317120	MANUAL, POWERDRIVE BT	1
▲	2397100 ◆	MANUAL, iPILOT 1.6	1
▲	2397106 ◆	GUIDE-QUICK REFERENCE, iP 1.6	1
109	2256300	TIE WRAP-5.5" BLACK	1
110	2372103	SCREW-#6 X .375 PLASTITE SS	2
111	2290212 ◆	COVER,CTRL BOX iP, PD PRINTED	1

▲ Not shown on Parts Diagram.

✳ This part is included in an assembly and cannot be ordered individually.

◆ Only available with models factory installed with i-Pilot or i-Pilot Link.

● Only available with models factory installed with CoPilot.

PARTS DIAGRAM & PARTS LIST



Item	Part #	Description	Quantity
▲	2394903 ◆	QCK REF.GUIDE, iP MICRO RMT BT	1
112	2390801 ●	LANYARD, REMOTE	1
114	2774023 ●	TRANS/REC ASM PD CO-PLT FW	1
118	2994127	MTR KIT,iP 1.6 PD MICRO RT	1
120	2994079 ◆	REMOTE ASY, iP MICRO BLUETOOTH	1
442	2374092 ●	CTRL BOARD V2 COPILOT REC	1
444	2373418 ●	SCREW-#8 X 5/8 PPHSMS S/S	2

▲ Not shown on Parts Diagram.

✘ This part is included in an assembly and cannot be ordered individually.

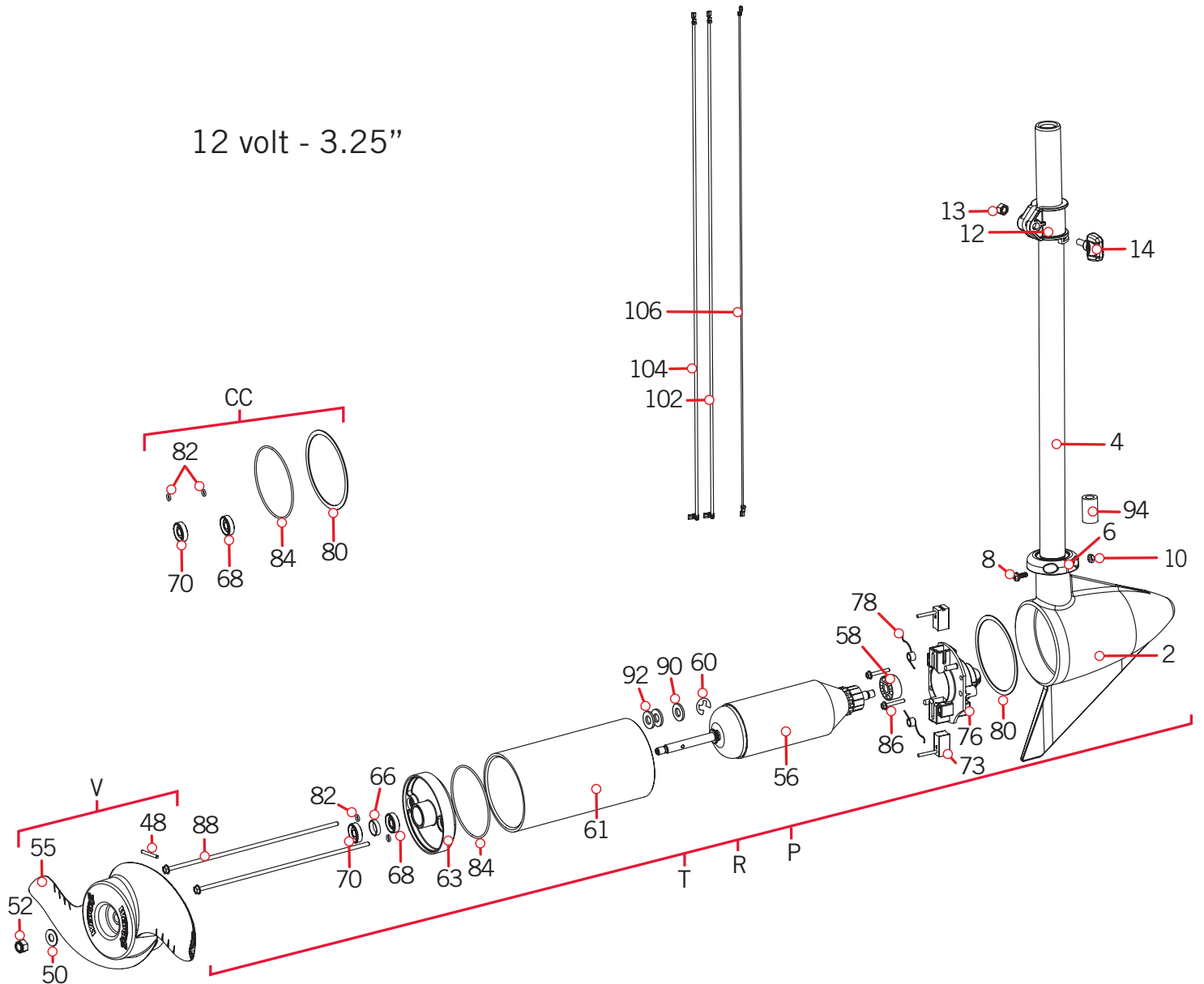
◆ Only available with models factory installed with i-Pilot or i-Pilot Link.

● Only available with models factory installed with CoPilot.



POWERDRIVE MOTOR >

> 12 Volt 3.25" Motor Parts Diagram



PARTS DIAGRAM & PARTS LIST

12 Volt 3.25" Motor Parts List

Assembly	Part #	Description	Quantity
P	2069289	MTR ASY 12V 3.25 VS FW 45# BB *54"* *iPILOT*	1
R	2069283	MTR ASY 12V 3.25 VS FW 45 *48*	1
T	2069233	MTR ASY 12V 3.25 VS FW 42# BB *54"*	1
V	1378121	PROP IND 2061122 (PWR PROP)	1
CC	2883460	SEAL & O-RING KIT	1
Item	Part #	Description	Quantity
2	421-132	HSG BRUSH END 3.25	1
	421-127	HSG PLN END 3.25 FW TXT	1
4	2032076	TUBE COMPOSITE 54" PD/AP *54"*	1
	2032075	TUBE COMPOSITE 48" PD/AP *48"*	1
6	2301555	COLLAR-LATCH, PD/AP	1
8	2303434	SCREW-#8-32 X 5/8 MACH PHCR SS	1
10	2303112	NUT-#8-32 NYLOCK SS	1
12	2031522	COLLAR DRIVE (W/INSERT)	1
13	2013110	NUT-HEX #10-24 UNC-2B (ZCP)	1
14	2011365	SCREW-COLLAR/NEW KNOB	1
48	2092600	PIN-DRIVE 1.06" LG (SS)	1
50	2151726	WASHER-5/16 STD (S/S)	1
52	2053101	NUT-PROP,NYLOC (MED) 5/16 SS	1
55	2061122	PROP-POWER (3.25")	1
56	2-100-202	ARMATURE AS SY 12V 3.25	1
58	140-010	BALL BEARING	1
60	788-015	RETAINING RING *3.25*	1
61	2-200-079	CTR HSG ASY 3.25 TX-MAGNT	1
63	2-400-128	PLAIN END HSG ASY 3.25	1
66	144-049	BEARING - FLANGE (SERVICE ONLY)	1
68	880-003	SEAL	1
70	880-006	SEAL WITH SHIELD	1
73	188-052	BRUSH ASSEMBLY 3.25	2
76	738-030	BRUSH PLATE 3.25	1
78	975-032	SPRING - COMPRESSION 3.25	2
80	701-041	O-RING MEDIUM 3.25	1
82	701-007	O-RING *THRU BOLT*	2
84	701-039	O-RING SMALL 3.25	1
86	830-001	SCREW-#8-32x1.75 SELF-THRD	2

▲ Not shown on Parts Diagram.

✱ This part is included in an assembly and cannot be ordered individually.

◆ Only available with models factory installed with i-Pilot or i-Pilot Link.

● Only available with models factory installed with CoPilot.

PARTS DIAGRAM & PARTS LIST



Item	Part #	Description	Quantity
88	830-078	THRU BOLT 8-32 X 8.96	2
90	990-067	WASHER - STEEL THRUST	1
92	990-070	WASHER - NYLATRON	1
94	2307314	BEAD-FERRITE *iPILOT*	1
104	640-104M	LEADWIRE RED 10AWG 48" *45LB THRUST*	1
106	640-003M	LEADWIRE BLK 10AWG 48" *45LB THRUST*	1

▲ Not shown on Parts Diagram.

✘ This part is included in an assembly and cannot be ordered individually.

◆ Only available with models factory installed with i-Pilot or i-Pilot Link.

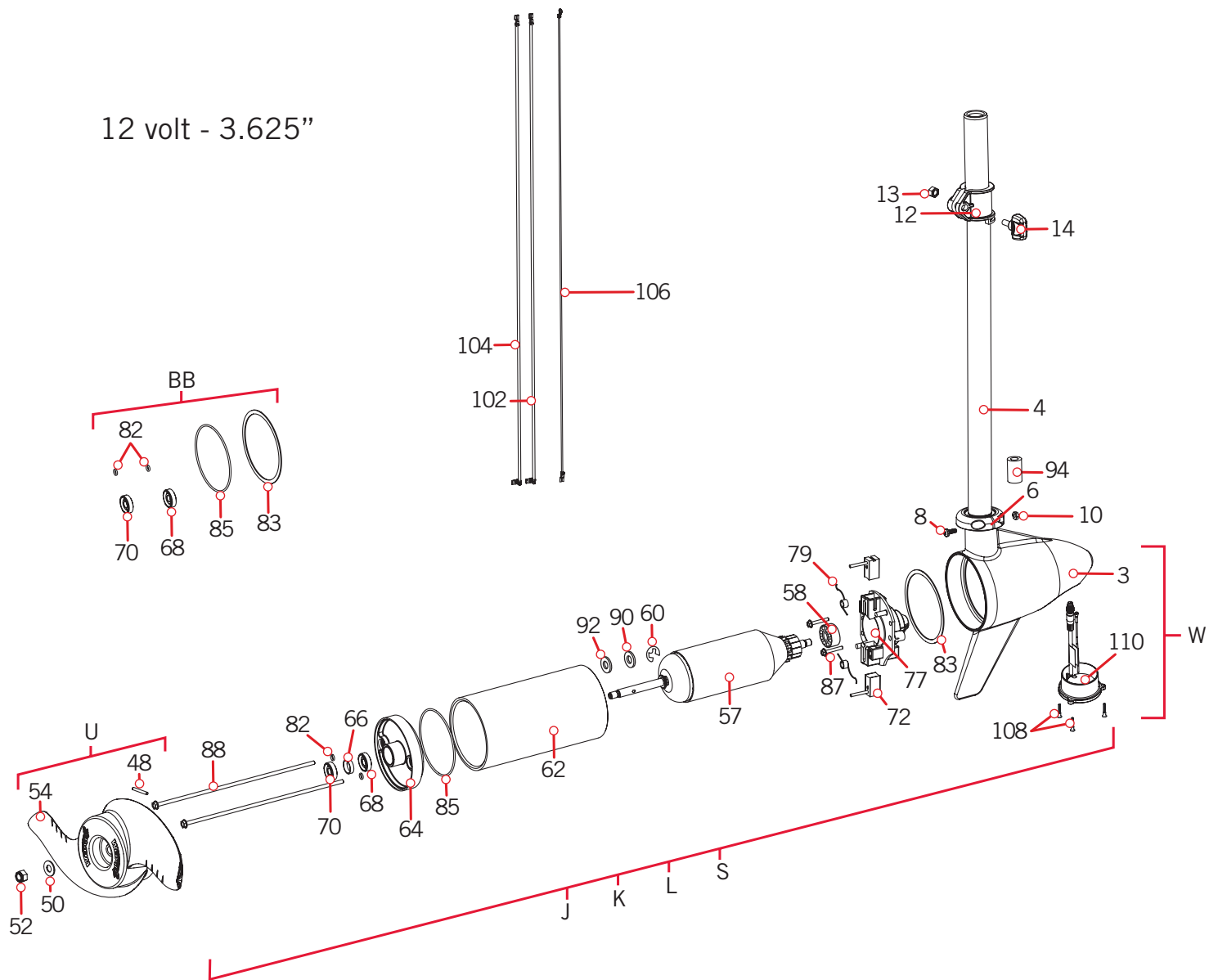
● Only available with models factory installed with CoPilot.



PARTS DIAGRAM & PARTS LIST

POWERDRIVE MOTOR >

> 12 Volt 3.625" Motor Parts Diagram



PARTS DIAGRAM & PARTS LIST

12 Volt 3.625" Motor Parts List

Assembly	Part #	Description	Quantity
J	2097090	MTR ASY 12V 3.62 VS FW 55#	1
K	2107098	MTR ASY US2.5 12V 3.62" 55# *UNIVERSAL SONAR*	1
L	2097072	MTR ASY 12V 3.62 VS FW 55# *PONTOON*	1
S	2097034	MTR ASY 12V 3.62 VS 50#	1
U	1378131	PROP IND 2091160 (WDL5 WDGII)	1
W	9421-171	BRS END HSG/TRANSDUCER ASY 3.6 *54"* *UNIVERSAL SONAR*	1
BB	2888460	SEAL & O-RING KIT	1
Item	Part #	Description	Quantity
3	421-065	HSG BRUSH END 3.625	1
	✘	BRUSH END HSG 3.625,US2.5 *US2 ONLY*	1
4	2032076	TUBE COMPOSITE 54" PD/AP	1
	2032075	TUBE COMPOSITE 48" PD/AP *PONTOON*	1
6	2301555	COLLAR-LATCH, PD/AP	1
8	2303434	SCREW-#8-32 X 5/8 MACH PHCR SS	1
10	2303112	NUT-#8-32 NYLOCK SS	1
12	2031522	COLLAR DRIVE (W/INSERT)	1
13	2013110	NUT-HEX #10-24 UNC-2B (ZCP)	1
14	2011365	SCREW-COLLAR/NEW KNOB	1
48	2092600	PIN-DRIVE 1.06" LG (SS)	1
50	2151726	WASHER-5/16 STD (S/S)	1
52	2053101	NUT-PROP,NYLOC (MED) 5/16 SS	1
54	2091160	PROP-WW2 (3.625") REAMED	1
57	2-100-117A	ARM ASY 12V 3.62 55#2.88" *55LB* *54"*	1
	2-100-117	ARM ASY 12V 3.62 55#2.88" *55LB* *48"*	1
58	140-010	BALL BEARING	1
60	788-015	RETAINING RING	1
62	2-200-101A	CTR HSG ASY 3.625 TX-MGNTZ(SUB)	1
	2-200-101	CTR HSG ASY 3.62 TX-MAGNETIZED *PONTOON*	1
64	2-400-101	PLAIN END HSG ASY 3.625 *55LB* *48"*	1
	2-400-101A	PLAIN END HSG ASY 3.625 *55LB* *54"*	1
66	144-049	BEARING - FLANGE (SERVICE ONLY)	1
68	880-003	SEAL	1
70	880-006	SEAL WITH SHIELD	1
72	188-036	BRUSH ASSEMBLY 3.625	2
77	738-036	BRUSH PLATE 3.625	1

▲ Not shown on Parts Diagram.

✘ This part is included in an assembly and cannot be ordered individually.

◆ Only available with models factory installed with i-Pilot or i-Pilot Link.

● Only available with models factory installed with CoPilot.

PARTS DIAGRAM & PARTS LIST



Item	Part #	Description	Quantity
79	975-040	SPRING - TORSION 3.625	2
82	701-008	THRU BOLT O-RING	2
83	337-036	GASKET	1
85	701-081	O-RING	1
87	830-007	SCREW, # 8-32	2
88	830-042	THRU BOLT 10-32 X 8.83	2
90	990-067	WASHER - STEEL THRUST	1
92	990-070	WASHER - NYLATRON	1
94	2307314	BEAD-FERRITE 50LB	1
	2307317	FERRITE BEAD, SHORT *55LB* *54"*	1
102	640-315	LEADWIRE BROWN 18 AWG 62" GPT *US2 ONLY*	1
104	640-107	LEADWIRE RED 10AWG 65-1/2" GPT 55LB *55LB* *54"*	1
	640-109	LEADWIRE RED 10 AWG 72 GPT 50LB *50LB* *54"*	1
	640-105M	LEADWIRE RED 10 AWG 58 GPT *55LB* *48"*	1
106	640-008	LEADWIRE BLK 10AWG 63-1/2" GPT 55LB *55LB* *54"*	1
	640-010	LEADWIRE BLK 10 AWG 70 GPT 50LB *50LB* *54"*	1
	640-004M	LEADWIRE BLK 10 AWG 56 GPT *55LB* *48"*	1
108	✘	SCREW #6-20 X 1/2 THD CUTS,RIE *US2 ONLY*	3
110	✘	TRANSDUCER ASSY 67" GEN2.5 W/T *US2 ONLY*	1

▲ Not shown on Parts Diagram.

✘ This part is included in an assembly and cannot be ordered individually.

◆ Only available with models factory installed with i-Pilot or i-Pilot Link.

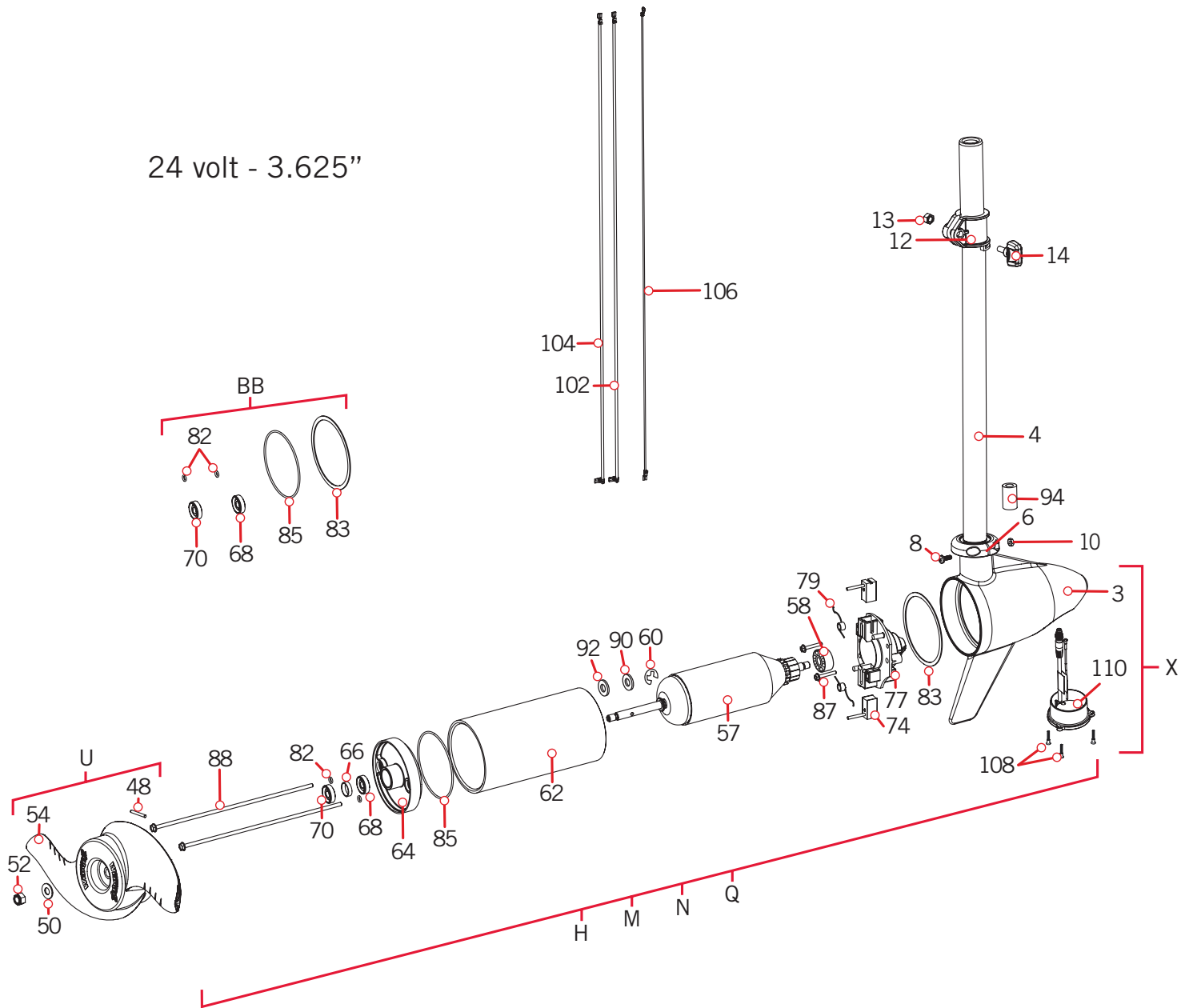
● Only available with models factory installed with CoPilot.



PARTS DIAGRAM & PARTS LIST

POWERDRIVE MOTOR >

> 24 Volt 3.625" Motor Parts Diagram



PARTS DIAGRAM & PARTS LIST



▶ 24 Volt 3.625" Motor Parts List

Assembly	Part #	Description	Quantity
H	2106051	MTR ASY US2.5 24V 3.62 VS 70# *60"* *UNIVERSAL SONAR* *i-PILOT*	1
M	2096068	MTR ASY 24V 3.62 VS 70#FW(SUB) *54" *i-PILOT*	1
N	2096061	MTR ASY 24V 3.62 VS 70#FW(SUB) *60"*	1
Q	2096067	MTR ASY 24V 3.62 VS 70#FW(SUB) *48"* *PONTOON*	1
X	9421-173	BRS END HSG/TRANSDUCER ASY 3.6 *60"* *UNIVERSAL SONAR*	1
U	1378131	PROP IND 2091160 (WDL5 WDGII)	1
BB	2888460	SEAL & O-RING KIT	1
Item	Part #	Description	Quantity
3	✘	BRUSH END HSG 3.625,US2.5 *70LB* *60"* *US2 ONLY*	1
	421-065	HSG BRUSH END 3.625	1
4	2032074	TUBE COMPOSITE 60" PD/AP *60"*	1
	2032075	TUBE COMPOSITE 48" PD/AP *PONTOON* *48"*	1
	2032076	TUBE COMPOSITE 54" PD/AP *54"* *i-PILOT*	1
6	2301555	COLLAR-LATCH, PD/AP	1
8	2303434	SCREW-#8-32 X 5/8 MACH PHCR SS	1
10	2303112	NUT-#8-32 NYLOCK SS	1
12	2031522	COLLAR DRIVE (W/INSERT)	1
13	2013110	NUT-HEX #10-24 UNC-2B (ZCP)	1
14	2011365	SCREW-COLLAR/NEW KNOB	1
48	2092600	PIN-DRIVE 1.06" LG (SS)	1
50	2151726	WASHER-5/16 STD (S/S)	1
52	2053101	NUT-PROP,NYLOC (MED) 5/16 SS	1
54	2091160	PROP-WW2 (3.625") REAMED	1
57	2-100-128	ARMATURE ASM 24V 3.62",70	1
58	140-010	BALL BEARING	1
60	788-015	RETAINING RING *3.625*	1
62	2-200-005	CTR HSG ASY 3.625 FW-MAGNET	1
64	2-400-101A	PLAIN END HSG ASY 3.625 (SUB)	1
66	144-049	BEARING - FLANGE (SERVICE ONLY)	1
68	880-003	SEAL	1
70	880-006	SEAL WITH SHIELD	1
74	188-038	BRUSH ASSEMBLY 3.625	2
77	738-038	BRUSH PLATE, 3.625", 70#	1
79	975-042	SPRING-TORSION, 70# LOWER UNIT	2

▲ Not shown on Parts Diagram.

✘ This part is included in an assembly and cannot be ordered individually.

◆ Only available with models factory installed with i-Pilot or i-Pilot Link.

● Only available with models factory installed with CoPilot.



PARTS DIAGRAM & PARTS LIST



Item	Part #	Description	Quantity
82	701-008	THRU BOLT O-RING	2
83	337-036	GASKET	1
85	701-081	O-RING	1
87	830-007	SCREW, # 8-32	2
88	830-008	THRU BOLT 10-32 x 9.205	2
90	990-067	WASHER - STEEL THRUST	1
92	990-070	WASHER - NYLATRON	1
94	2307314	BEAD-FERRITE *PONTOON* *IP-54"* *54"* *48"*	1
102	640-316	LEADWIRE BROWN 18 AWG 71" GPT	1
	640-315	LEADWIRE BROWN 18 AWG 62" GPT *PONTOON*	1
104	640-105	LEADWIRE RED 10 AWG 58 GPT *PONTOON* *48"*	1
	640-106	LEADWIRE RED 10 AWG 64 GPT *54"* *i-PILOT*	1
	640-109	LEADWIRE RED 10AWG *60"*	1
106	640-005	LEADWIRE BLK 10 AWG 57 GPT *PONTOON* *48"*	1
	640-008	LEADWIRE BLK 10AWG 63-1/2" GPT *54"* *i-PILOT*	1
	640-010	LEADWIRE BLK 10 AWG 70 GPT *60"*	1
108	✘	SCREW-#6-20 X 1/2 THD CUTS,RIE *US2 ONLY*	3
110	✘	TRANSDUCER ASSY 73" GEN2.5 W/T *70LB* *60"* *i-PILOT* *US2 ONLY*	1

▲ Not shown on Parts Diagram.

✘ This part is included in an assembly and cannot be ordered individually.

◆ Only available with models factory installed with i-Pilot or i-Pilot Link.

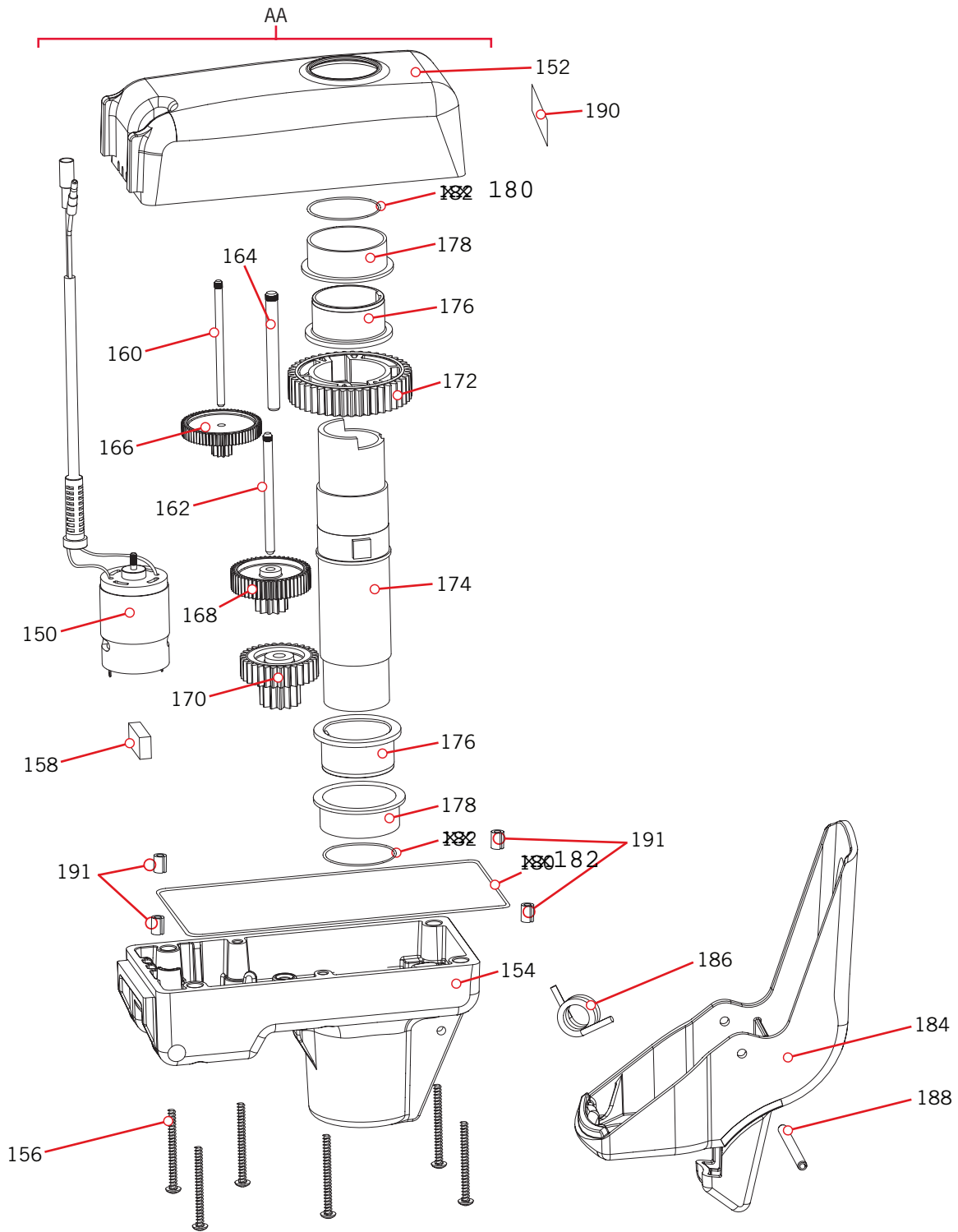
● Only available with models factory installed with CoPilot.



PARTS DIAGRAM & PARTS LIST

POWERDRIVE STEERING HOUSING >

> Steering Housing Parts Diagram





› Steering Housing Parts List

Assembly	Part #	Description	Quantity
AA	2991836	DRIVE HOUSING ASSY, PD	1
Item	Part #	Description	Quantity
150	2307050	MOTOR DR.HSG PD/AP 12,24V	1
152	2302541	CASE-UPPER,ALUM,FW,PAINTED	1
154	2302561	CASE-LOWER, ALUM, FW, PAINTED	1
156	2303408	SCREW-#8-32 TYPE F TORX PH SS	6
158	2308601	BREATHER FILTER, DR.HOUSING	1
160	2302610	SHAFT-GEAR, FIRST CLUSTER	1
162	2302615	SHAFT-GEAR,INTERMED.CLUSTER	1
164	2302620	SHAFT-GEAR, THIRD CLUSTER	1
166	2302245	GEAR & PINION,DR. HSG, STAGE 2	1
168	2302250	GEAR & PINION,DR. HSG, STAGE 3	1
170	2302255	GEAR & PINION,DR. HSG, STAGE 4	1
172	2302260	GEAR-OUTPUT SHAFT,STG 5	1
174	2302010	SHAFT-OUTPUT, DR.HOUSING	1
176	2307304	BUSHING-INNER, UPPER/LOWER	2
178	2307305	BUSHING-OUTER, UPPER/LOWER	2
180	2304603	O-RING-SHAFT SEAL UPPER/LOW	2
182	2304604	O-RING-CASE SEAL	1
184	2307201	LEVER,GRIP GLIDE II	1
186	2302750	SPRING-LATCH,TORSION,PD/AP,S/S	1
188	2302627	PIN-ROLL,3/16 X 2.5" ZP	1
190	2305641	DECAL - STOW/DEPLOY; POWERDRIVE	1
191	2302605	PIN-ROLL 5/16" X 1/2"	4

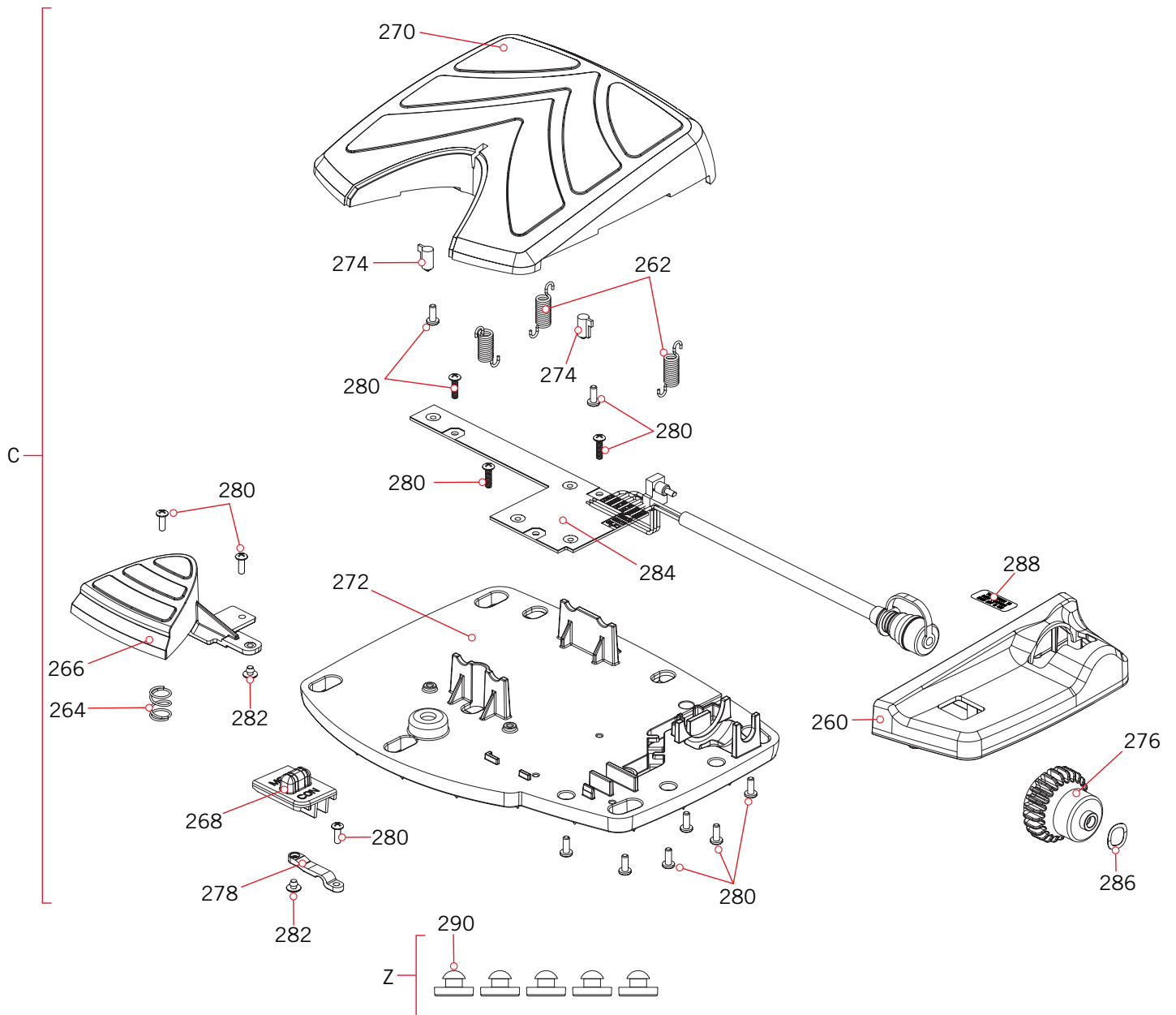
- ▲ Not shown on Parts Diagram.
- ✘ This part is included in an assembly and cannot be ordered individually.
- ◆ Only available with models factory installed with i-Pilot or i-Pilot Link.
- Only available with models factory installed with CoPilot.



PARTS DIAGRAM & PARTS LIST

POWERDRIVE FOOT PEDAL

Foot Pedal Parts Diagram





► Foot Pedal Parts List

Assembly	Part #	Description	Quantity
C	2994728	FOOT PEDAL ASSEMBLY, PD	1
Z	2994859	BAG ASY-TERROVA/V2,RUB.BUMPERS	1
Item	Part #	Description	Quantity
260	2300275	COVER-SPEED SELECTOR,PD FP,BLK	1
262	2302730	SPRING-LONG-UPPER PEDAL	3
264	2302732	SPRING-LOWER PEDAL S/S	1
266	2303725	BUTTON-MOMENTARY, PD FP, BLK	1
268	2303730	BUTTON-MOM/CON, PD FP, BLK	1
270	2304406	PEDAL, STRG ROCKER, PD FP, BLK	1
272	2304508	BASE, PEDAL PD	1
274	2305136	BUMPER,STRG RCKR,PD FP,RUBBER	2
276	2307905	WHEEL-SPEED, PD FP, BLK	1
278	2308609	SWITCH LEVER, SINGLE	1
280	2302105	SCREW #6-19 X 3/8 HIGH-LOW SS	14
282	2335130	BUMBER ACTUATOR	2
284	2994053	PCB/CTRL CORD, PD FT PEDAL	1
286	2301750	WASHER, WAVE, PD V3 FP	1
288	2316600	DECAL-ON/OFF SWITCH/PD V2 PED	1
290	2325110	PAD, FOOT PEDAL PD	5

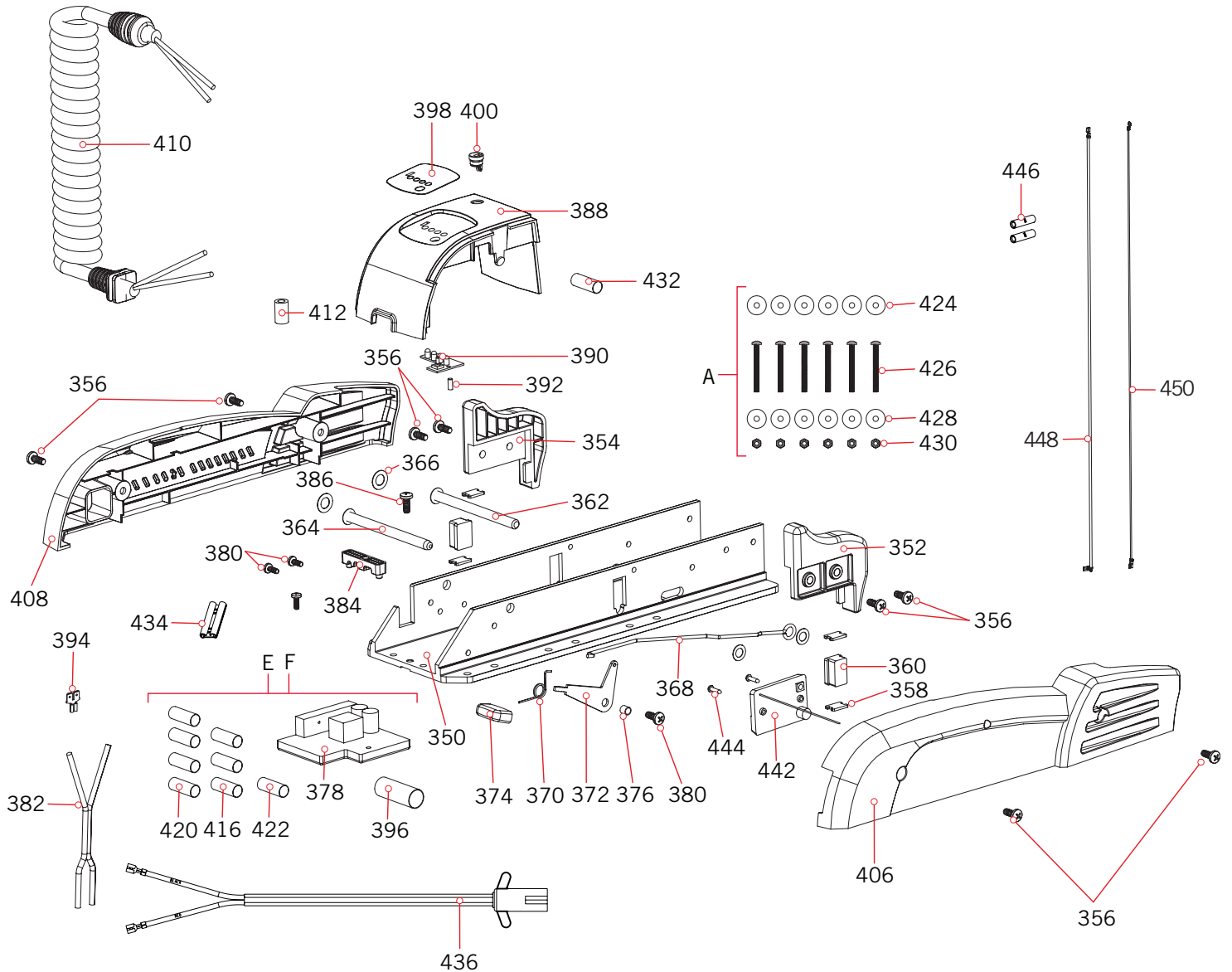
- ▲ Not shown on Parts Diagram.
- ✘ This part is included in an assembly and cannot be ordered individually.
- ◆ Only available with models factory installed with i-Pilot or i-Pilot Link.
- Only available with models factory installed with CoPilot.



PARTS DIAGRAM & PARTS LIST

POWERDRIVE MOUNT >

> Mount Parts Diagram



PARTS DIAGRAM & PARTS LIST

Mount Parts List

Assembly	Part #	Description	Quantity
A	2994864	BAG ASSEMBLY - (BOLT, NUT, WASHERS)	1
E	2884055	CONTROL BRD-12V V2 W/O AP W/SHRNK	1
F	2884056	CONTROL BRD-24V V2 W/O AP W/SHRNK	1
Item	Part #	Description	Quantity
350	2301936	EXTRUSION BASE PD V2	1
352	2303932	MOTOR REST-RIGHT, 3 5/8" *70LB* *50LB* *55LB*	1
	2303930	MOTOR REST-RIGHT, 3 1/4" *42LB* *45LB*	1
354	2303937	MOTOR REST-LEFT, 3 5/8" *70LB* *50LB* *55LB*	1
	2303935	MOTOR REST-LEFT, 3 1/4" *42LB* *45LB*	1
356	2303430	SCREW-1/4-20 X 5/8-SELFTAP ZP	9
358	2305110	PAD-PIVOT SUPT ZINC	4
360	2305103	PIVOT PAD,559 FB DUROMETER 90A	2
362	2300500	PIN-LATCH	1
364	2300510	PIN-PIVOT	1
366	2013100	NUT-SPEED	4
368	2303612	ROD-RELEASE (RT/AP) S/S	1
370	2322700	SPRING-TORSION	1
372	2303710	LEVER-RELEASE	1
374	2300101	RELEASE-KNOB	1
376	2301700	SPACER-RELEASE LEVER-BRASS	1
378	2304064	CONTROL BRD-12V V2 W/O AP *42LB 54"* *45LB 48"* *50LB 54"* *55LB 54"* *55LB 48"* *PONTOON* *55LB 54" COPILOT* *COPILOT* *55LB 54" US2* *UNIVERSAL SONAR*	1
	2304065	CONTROL BRD-24V V2 W/O AP *70LB 60"* *70LB 48"* *PONTOON* *70LB 60" US2* *UNIVERSAL SONAR*	1
	2304067	CONTROL BOARD-24V V2 W/AP *70LB 54" i-PILOT* *70LB 60" i-PILOT*	1
	2304066	CONTROL BOARD-12V V2 W/AP *54"* *45LB 54" i-PILOT* *55LB 54" i-PILOT*	1
380	2303434	SCREW-#8-32 X 5/8 MACH PHCR SS	3
382	2090651	LEADWIRE,10 GA *70LB*	1
384	2321310	STRAIN RELIEF	1
386	2323405	SCREW-1/4-20 X 1/2" MCH SS	1
388	2306570	HOUSING-CENTER, POWERDRIVE	1
390	2074071	BATTERY METER, 24V *70LB*	1
	2074070	BATTERY METER, 12V *55LB* *42LB* *45LB*	1
392	2383428	SCREW-#4-24 X 5/8 HI-LO SS	1
394	2320710	TERMINAL-AMP (T-TAB)	1
396	2325401	SHRINK TUBE-3/4 ID X 2" W/ADHS	1

▲ Not shown on Parts Diagram.

✱ This part is included in an assembly and cannot be ordered individually.

◆ Only available with models factory installed with i-Pilot or i-Pilot Link.

● Only available with models factory installed with CoPilot.

PARTS DIAGRAM & PARTS LIST



Item	Part #	Description	Quantity
398	2305643	DECAL-BATTERY METER PD V2 FW	1
400	2302935	STRAIN RELIEF-DR. HOUSING	1
406	2303980	SIDEPLATE-RIGHT PD MK	1
408	2303985	SIDEPLATE-LEFT PD MK	1
410	2991284	COIL CORD W/STRAIN RLF,PD 60" *60" 70LB *iPILOT*	1
	2991280	COIL CRD W/STRN RLF, PD 48"/54" *48" 45LB* *54" 45LB* *54" 42LB*	1
	2991283	COIL CORD W/STRN RLF, PD 48"/54" *48" 70LB* *iPILOT* *54" 70LB*	1
412	2307313	BEAD-FERRITE	1
420	2305401	SHRINK TUBE-.374 ID X 1.5"	4
416	2305410	SHRINK TUBE-.315 OD X 2.25"	3
422	2305415	SHRINK TUBE-.472 ID X 2.25"	1
424	2263462	SCREW-1/4-20 X 2" S/S PPH ADJT	6
426	2261713	WASHER-1/4 FLAT 18-8 SS	6
428	2263103	NUT-1/4-20 NYLOCK SS	6
430	2301720	WASHER-MOUNTING - RUBBER	6
432	2375400	SHRINK TUBE-1/40D X 1-3/4	1
434	2320715	ADAPTER-TAB .25 F-F	1
436	2266730	LEADWIRE W/PLUG,12/24V,PD,TRKR	1
442	2374092 ●	CTRL BOARD V2 COPILOT REC(SUB)	1
444	2373418 ●	SCREW-#8 X 5/8 PPHSMS S/S	2
446	2030710	CONNECTOR BUTT *42LB 54"*	2
448	2030317	WIRE EXTENSION-18"-RED *42LB 54"*	1
450	2030316	WIRE EXTENSION-18"-BLACK *42LB 54"*	1

▲ Not shown on Parts Diagram.

✱ This part is included in an assembly and cannot be ordered individually.

◆ Only available with models factory installed with i-Pilot or i-Pilot Link.

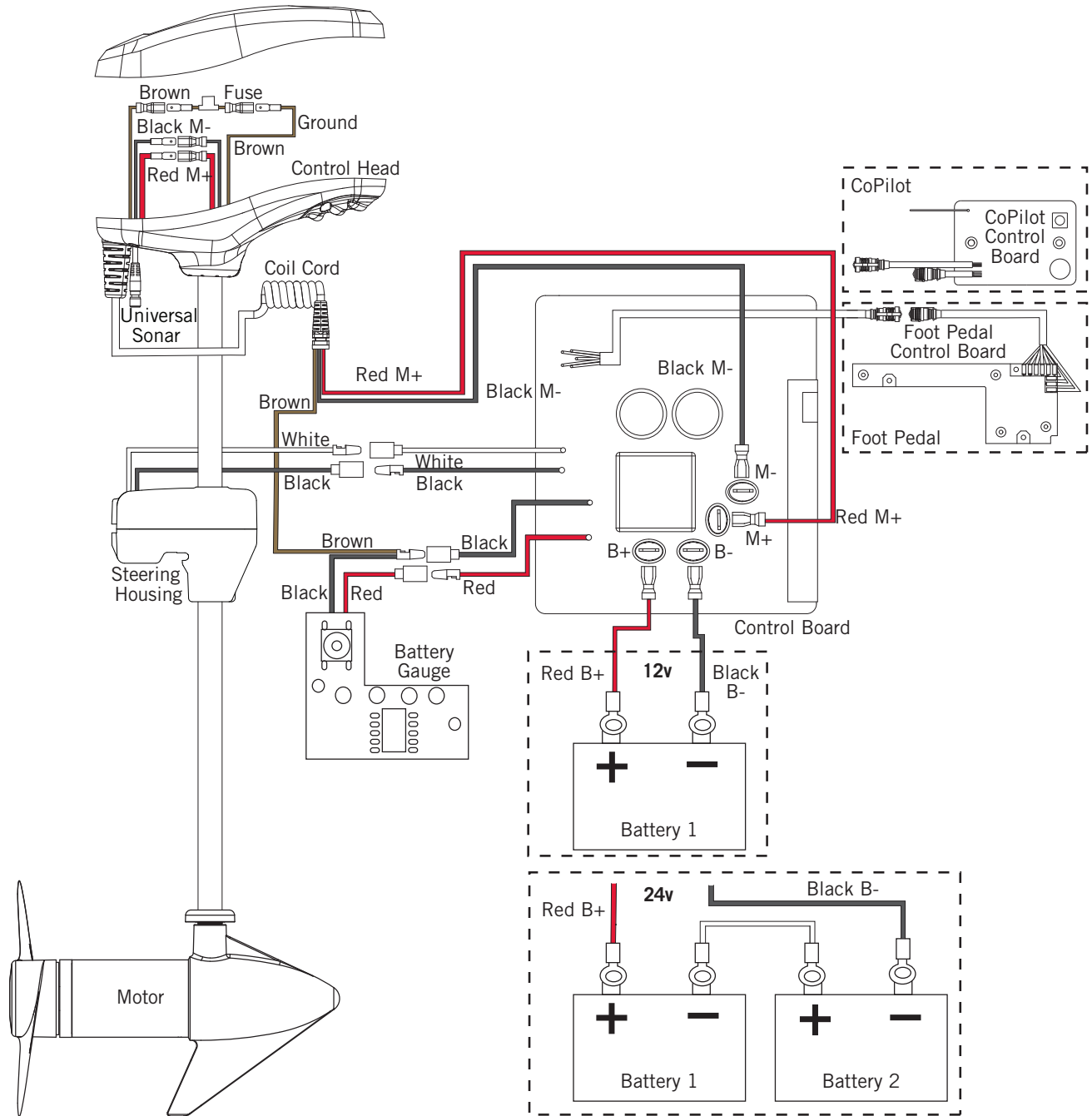
● Only available with models factory installed with CoPilot.



MOTOR WIRING DIAGRAM

POWERDRIVE

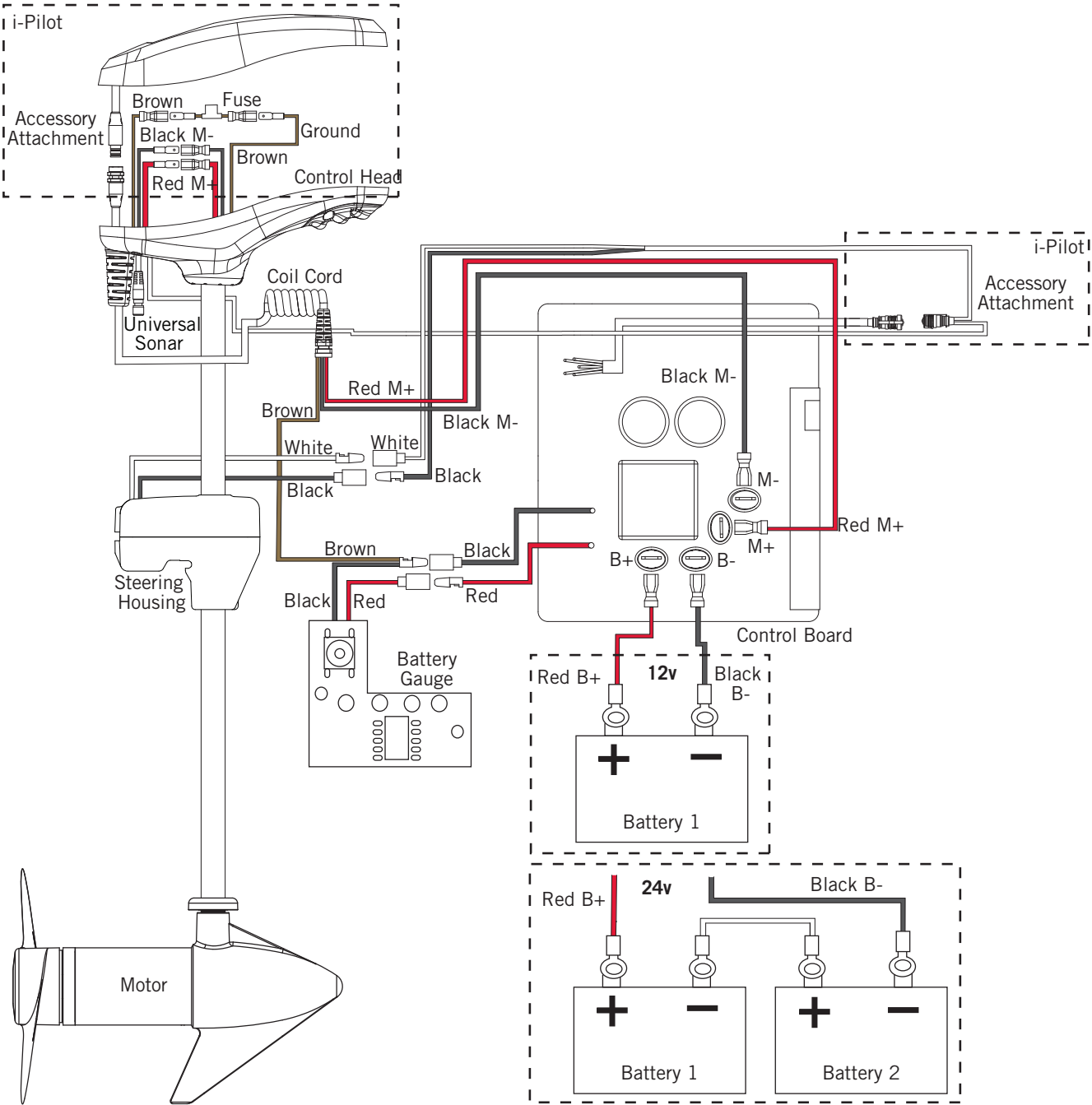
The following Motor Wiring Diagram applies to all PowerDrive models that do not come factory installed with AutoPilot or i-Pilot. CoPilot and Universal Sonar are optional features that may come factory installed. CoPilot can be installed as an after market accessory.



NOTICE: This is a multi-voltage diagram. Double-check your motor's voltage for proper connections. Over-Current Protection Devices are not shown in this illustration. If equipped with Universal Sonar, please see instruction sheet on the website at minnkotamotors.com.

POWERDRIVE WITH i-PILOT

The following Motor Wiring Diagram applies to all PowerDrive models that come factory installed with i-Pilot. Universal Sonar is an optional feature that may come factory installed.



NOTICE: This is a multi-voltage diagram. Double-check your motor's voltage for proper connections. Over-Current Protection Devices are not shown in this illustration. If equipped with Universal Sonar, please see instruction sheet on the website at minnkotamotors.com.