

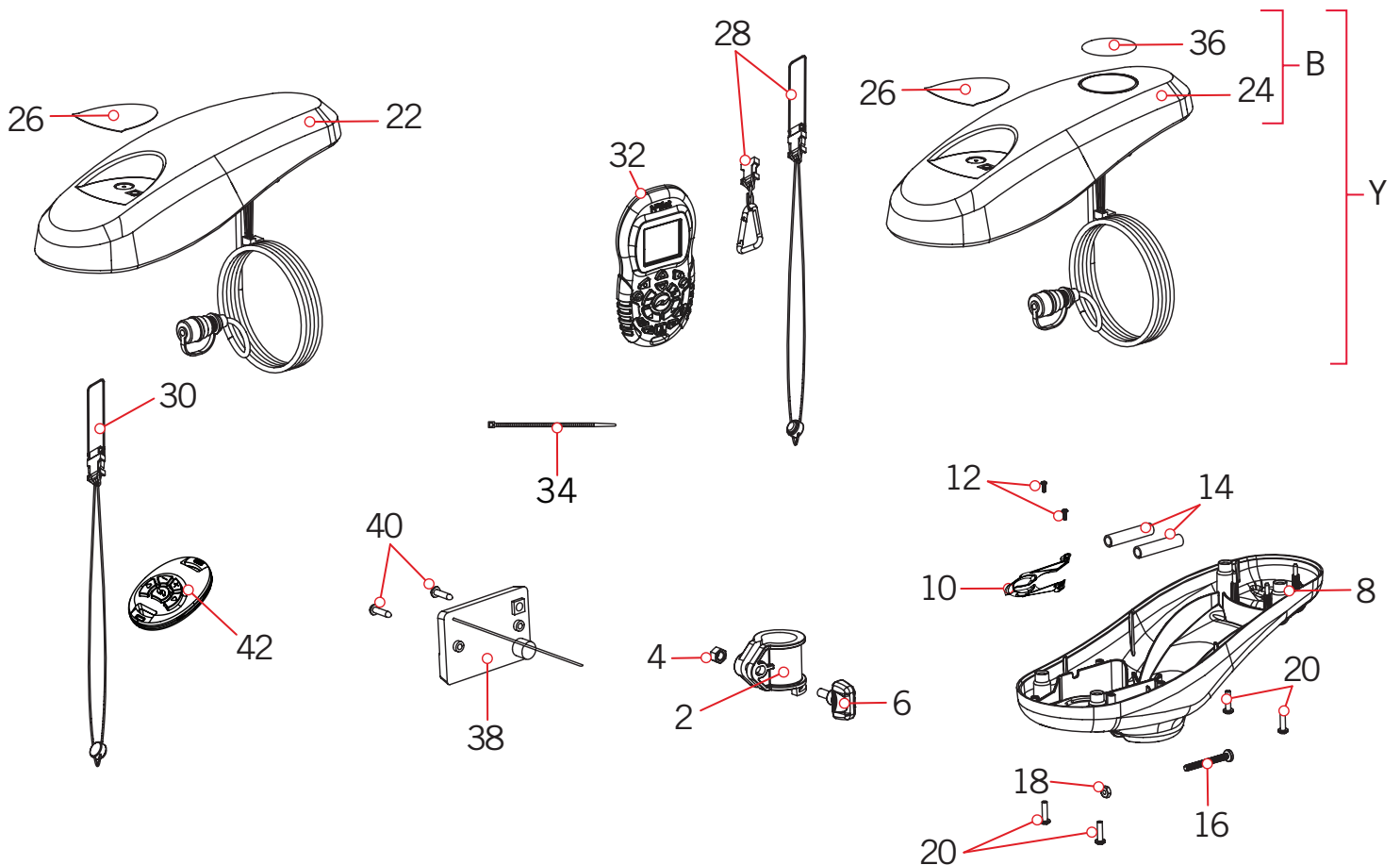
# PARTS DIAGRAM & PARTS LIST

## RIPTIDE POWERDRIVE - 55/70 LBS THRUST - 12/24 VOLT - 48"/54" SHAFT

The parts diagram and parts list provides Minn Kota® WEEE compliance disassembly instructions. For more information about where you should dispose of your waste equipment for recycling and recovery and/or your European Union member state requirements, please contact your dealer or distributor from which your product was purchased. Tools required, but not limited to: flat head screwdriver, Phillips screwdriver, socket set, pliers, wire cutters.

### RIPTIDE POWERDRIVE CONTROL HEAD >

#### > Control Head Parts Diagram



# PARTS DIAGRAM & PARTS LIST

## Control Head Parts List

Assembly	Part #	Description	Quantity
B	2770219 ◆	COVER KIT, RIPTIDE POWERDRIVE *I-PILOT COVER & DECALS ONLY*	1
Y	2774126 ◆	MOTOR KIT, iP 1.6 RT POWERDRIVE *i-PILOT RECEIVER*	1
Item	Part #	Description	Quantity
2	2031522	COLLAR DRIVE (W/INSERT)	1
4	2323104	HEX NUT ¼ -20 SS	1
6	2011366	SCREW-COLLAR/NEW KNOB(SS) *SALTWATER*	1
8	2292506	CONTROL BOX A/P RT-WHITE *SALTWATER*	1
10	2224707	PLUG, SCREW-DOWN, WHT	1
12	2372103	SCREW-#6 X .375 PLASTITE SS	2
14	2305402	SHRINK TUBE-.374 OD X 2.25" *SALTWATER*	2
16	2263406	SCREW-#10-24 X 2" S/S PPH	1
18	2333101	NUT-HEX #10-24 UNC-2B NYL SS *SALTWATER*	1
20	2372100	SCREW-#8-18 X 5/8 THD* (SS)	5
22	2290218	COVER, CTRL BOX, RT PD PRINTED	1
24	2290213 ◆	COVER, CTRL BOX RT PD PRINTED *iPILOT*	1
26	2315608	DECAL, COVER, RT PD 55 *55LB*	1
	2315607	DECAL, COVER, RT PD 50 *70LB*	1
	2315731	DECAL-GENERIC, PUSH BTN TOP SW	1
	2395551 ◆	DECAL, PUSH BTN RT PD, TRV/iP 55 *iPILOT*	1
	2315604 ◆	DECAL, PUSH BTN TOP, RT V3 70iP *iPILOT*	1
28	2390800 ◆	LANYARD, REMOTE W/ CARABINER	1
30	2390801 ●	LANYARD, REMOTE *COPILOT*	1
32	2994075 ◆	REMOTE ASSY, IPILOT 1.6	1
34	2256300	TIE WRAP - 5.5" BLACK *70LB*	1
36	2395546 ◆	DECAL. DOMED iPILOT SW	1
38	2994123 ●	RECIEVER ASM CO-PILOT SW	1
40	2373418 ●	SCREW-#8 X 5/8 PPHMS S/S *COPILOT ONLY* *SALTWATER*	2
42	2994020 ●	TRASMTR, ASY, PD/AP COPLT *COPILOT ONLY* *SALTWATER*	1
▲	2397100 ◆	MANUAL, iPILOT 1.6 *i-PILOT*	1
▲	2397106 ◆	GUIDE-QUICK REFERENCE iP 1.6 *iPILOT*	1
▲	2015800	HANG TAG "CAUTION... TILT HINGE"	1
▲	2317123	MANUAL, INSTALL GUIDE, RTPD BT	1
▲	2297165	MANUAL, DISCLAIMER, DOWNLOAD INFO	1
▲	2317121	MANUAL, RT POWERDRIVE BT	1

▲ Not shown on Parts Diagram.

✘ This part is included in an assembly and cannot be ordered individually.

◆ Only available with models factory installed with i-Pilot or i-Pilot Link.

● Only available with models factory installed with CoPilot.



# PARTS DIAGRAM & PARTS LIST

## 12 Volt Motor Parts List

Assembly	Part #	Description	Quantity
W	2097095	MTR ASY 12V 3.62 VS 55# *SALTWATER*	1
U	1378131	PROP IND 2091160 (WDLS WDGII)	1
CC	2888460	SEAL & O-RING KIT *3.625*	1
Item	Part #	Description	Quantity
54	421-336	HSG BRUSH END 3.62 WHITE *SALTWATER*	1
56	2002000	TUBE COMPOSITE 48" RT/SP-WHT *SALTWATER* *55LB* *48**	1
	2002001	TUBE COMPOSITE 54" RT/SP-WHT *55LB* *54**	1
58	2301555	COLLAR-LATCH, PD/AP	1
60	2303434	SCREW-#8-32 X 5/8 MACH PHCR SS	1
62	2303112	NUT-#8-32 NYLOCK SS	1
64	2031522	COLLAR DRIVE (W/INSERT)	1
66	2323104	HEX NUT 1/4 - 20 SS	1
68	2011366	SCREW-COLLAR/NEW KNOB(SS) *SALTWATER*	1
70	2092600	PIN-DRIVE 1.06" LG (SS)	1
72	2151726	WASHER-5/16 STD (S/S)	1
74	2198400	ANODES, ZINC, 3.25/3.62" LWR UNT	1
76	2091160	PROP-WW2 (3 5/8") REAMED	1
78	2-100-117A	ARM ASY 12V 3.62 55#2.88"	1
80	140-010	BALL BEARING	1
82	788-015	RETAINING RING	1
84	2-200-301A	CTR HSG ASY 3.6 MAGNETIZED	1
86	2-400-337A	PLAIN END HSG ASY 3.6 TX/W	1
88	144-049	BEARING - FLANGE (SERVICE ONLY)	1
90	880-003	SEAL	1
92	880-006	SEAL WITH SHIELD	1
94	188-036	BRUSH ASSEMBLY 3.625 55#	2
96	738-036	BRUSH PLATE WITH HOLDER 3.625	1
98	975-040	SPRING-TORSION	2
100	701-081	O-RING	1
102	701-007	O-RING	2
104	337-036	GASKET	1
106	830-007	SCREW, # 8-32	2
108	830-042	THRU BOLT 10-32 X 8.83 *55LB*	2
110	990-067	WASHER - STEEL THRUST	1
112	990-070	WASHER - NYLATRON	2

▲ Not shown on Parts Diagram.

✳ This part is included in an assembly and cannot be ordered individually.

◆ Only available with models factory installed with i-Pilot or i-Pilot Link.

● Only available with models factory installed with CoPilot.

# PARTS DIAGRAM & PARTS LIST



Item	Part #	Description	Quantity
114	2307317	BEAD-FERRITE, SHORT	1
116	640-107	LEADWIRE RED 10AWG 65-1/2" GPT	1
118	640-008	LEADWIRE BLK 10AWG 63-1/2" GPT	1

- ▲ Not shown on Parts Diagram.
- ✘ This part is included in an assembly and cannot be ordered individually.
- ◆ Only available with models factory installed with i-Pilot or i-Pilot Link.
- Only available with models factory installed with CoPilot.



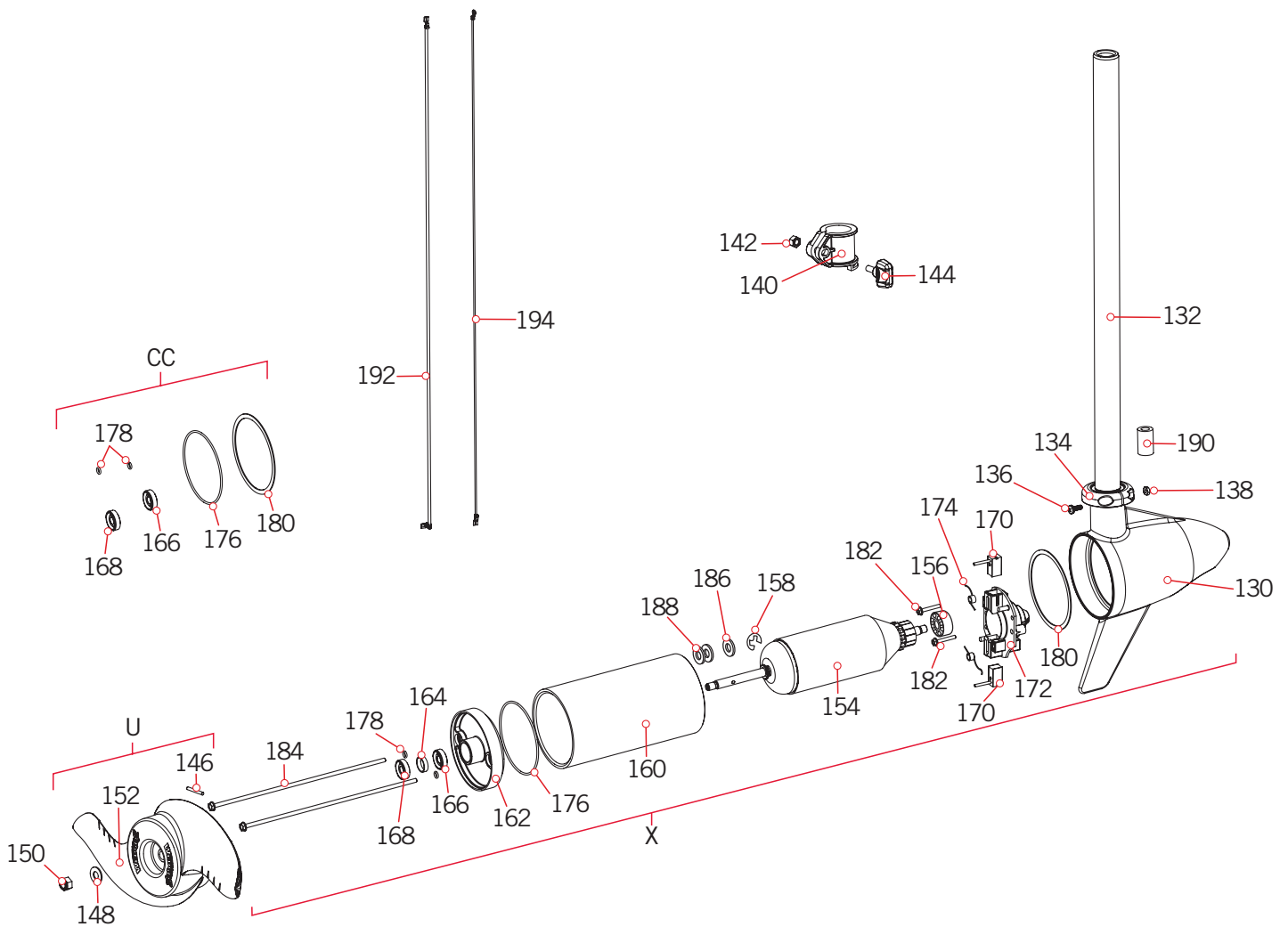
# PARTS DIAGRAM & PARTS LIST



## RIPTIDE POWERDRIVE MOTOR >

### > 24 Volt Motor Parts Diagram

24 volt - 3.625"



» 24 Volt Motor Parts List

Assembly	Part #	Description	Quantity
X	2096056	MTR ASY 24V 3.62 VS 70#SW *SALTWATER*	1
U	1378131	PROP IND 2091160 (WDLS WDGII)	1
CC	2888460	SEAL & O-RING KIT *3.625*	1
Item	Part #	Description	Quantity
130	421-336	HSG BRUSH END 3.62 WHITE *SALTWATER*	1
132	2002001	TUBE COMPOSITE 54" RT/SP-WHT *SALTWATER*	1
134	2301555	COLLAR-LATCH, PD/AP	1
136	2303434	SCREW-#8-32 X 5/8 MACH PHCR SS	1
138	2303112	NUT-#8-32 NYLOCK SS	1
140	2031522	COLLAR DRIVE (W/INSERT)	1
142	2323104	HEX NUT 1/4 - 20 SS	1
144	2011366	SCREW-COLLAR/NEW KNOB(SS) *SALTWATER*	1
146	2092600	PIN-DRIVE 1.06" LG (SS)	1
148	2151726	WASHER-5/16 STD (S/S)	1
150	2198400	ANODES, ZINC, 3.25/3.62" LWR UNT	1
152	2091160	PROP-WW2 (3 5/8") REAMED	1
154	2-100-128	ARM ASSY 24V 3.62 70#	1
156	140-010	BALL BEARING	1
158	788-015	RETAINING RING	1
160	2-200-307	CTR HSG ASM 3.6" SW MAGNETIZED	1
162	2-400-337A	PLAIN END HSG ASY 3.6 TX/W	1
164	144-049	BEARING - FLANGE (SERVICE ONLY)	1
166	880-003	SEAL	1
168	880-006	SEAL WITH SHIELD	1
170	188-038	BRUSH ASSEMBLY 3.625 70# 6H3	2
172	9-738-038	BRUSH PLATE WITH HOLDER 3.625, #70 LOWER UNIT	1
174	975-042	SPRING-TORSION	2
176	701-081	O-RING	1
178	701-007	O-RING THRU BOLT	2
180	337-036	GASKET	1
182	830-007	SCREW, # 8-32	2
184	830-008	THRU BOLT 10-32 x 9.205 70LB	2
186	990-067	WASHER - STEEL THRUST	1
188	990-070	WASHER - NYLATRON	2
190	2307314	BEAD-FERRITE	1

- ▲ Not shown on Parts Diagram.
- ✘ This part is included in an assembly and cannot be ordered individually.
- ◆ Only available with models factory installed with i-Pilot or i-Pilot Link.
- Only available with models factory installed with CoPilot.

# PARTS DIAGRAM & PARTS LIST



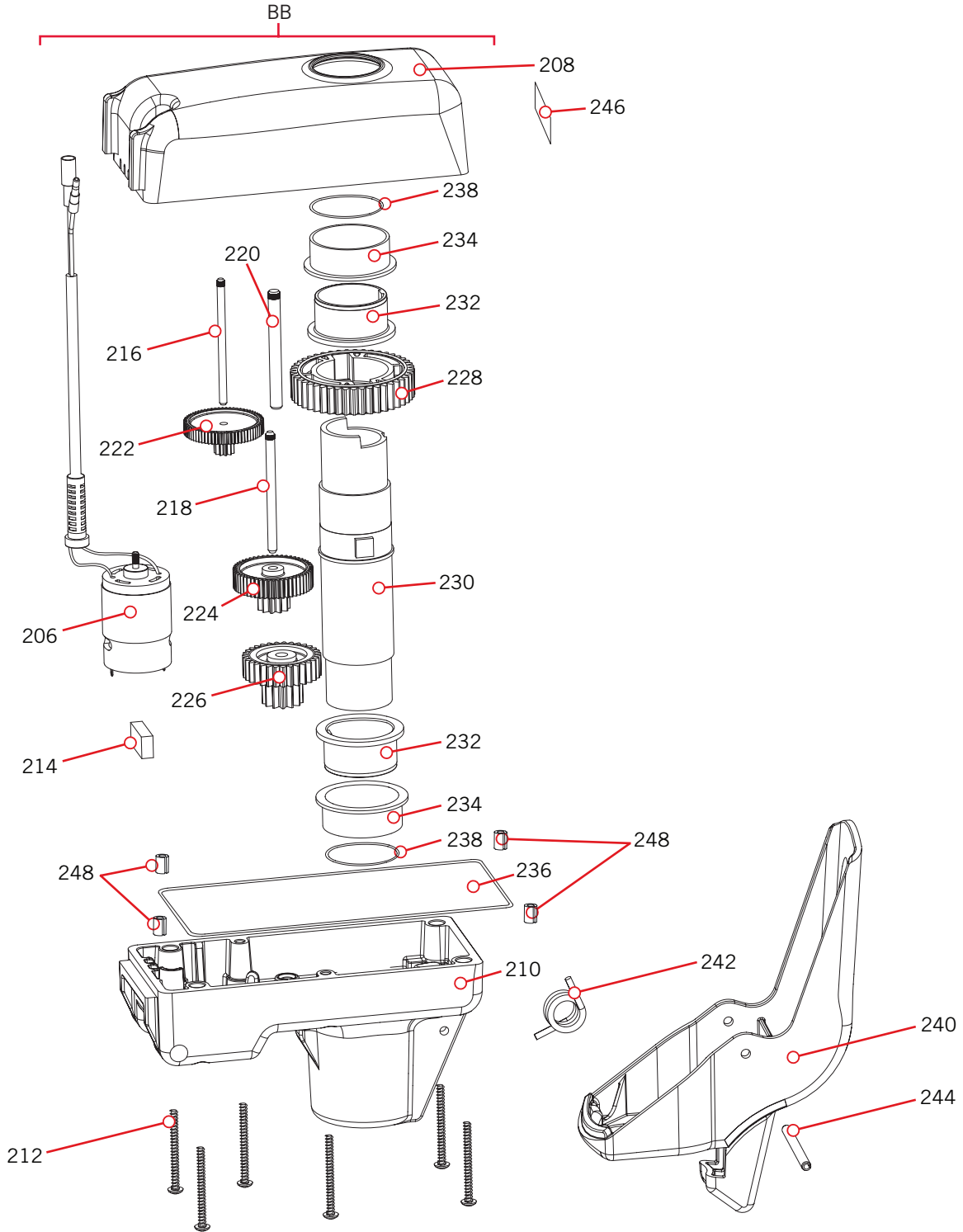
Item	Part #	Description	Quantity
192	640-106	LEADWIRE RED 10 AWG 64 GPT	1
194	640-008	LEADWIRE BLK 10AWG 63-1/2" GPT	1

- ▲ *Not shown on Parts Diagram.*
- ✘ *This part is included in an assembly and cannot be ordered individually.*
- ◆ *Only available with models factory installed with i-Pilot or i-Pilot Link.*
- *Only available with models factory installed with CoPilot.*



RIPTIDE POWERDRIVE STEERING HOUSING >

> Steering Housing Parts Diagram



# PARTS DIAGRAM & PARTS LIST

## › Steering Housing Parts List

Assembly	Part #	Description	Quantity
BB	2771827	DRIVE HOUSING ASSY, RT SP	1
Item	Part #	Description	Quantity
206	2307050	MOTOR DR.HSG PD/AP 12,24V	1
208	2302543	CASE-UPPER,ALUM, SW - WHITE	1
210	2302562	CASE-LOWER, ALUM, SW - WHITE	1
212	2303408	SCREW-#8-32 TYPE F TORX PH SS	6
214	2308601	BREATHER FILTER, DR.HOUSING	1
216	2302610	SHAFT-GEAR, FIRST CLUSTER	1
218	2302615	SHAFT-GEAR,INTERMED.CLUSTER	1
220	2302620	SHAFT-GEAR, THIRD CLUSTER	1
222	2302245	GEAR & PINION,DR. HSG, STAGE 2	1
224	2302250	GEAR & PINION,DR. HSG, STAGE 3	1
226	2302255	GEAR & PINION,DR. HSG, STAGE 4	1
228	2302260	GEAR-OUTPUT SHAFT,STG 5	1
230	2302010	SHAFT-OUTPUT, DR.HOUSING	1
232	2307304	BUSHING-INNER, UPPER/LOWER	2
234	2307305	BUSHING-OUTER, UPPER/LOWER	2
236	2304603	O-RING-SHAFT SEAL UPPER/LOW	2
238	2304604	O-RING-CASE SEAL	1
240	2307201	LEVER,GRIP GLIDE II	1
242	2302750	SPRING-LATCH,TORSION,PD/AP,S/S	1
244	2302628	PIN-ROLL,3/16 X 2.5" SS	1
246	2305641	DECAL - STOW/DEPLOY; POWERDRIVE	1
248	2302605	PIN-ROLL 5/16" X 1/2"	4

▲ Not shown on Parts Diagram.

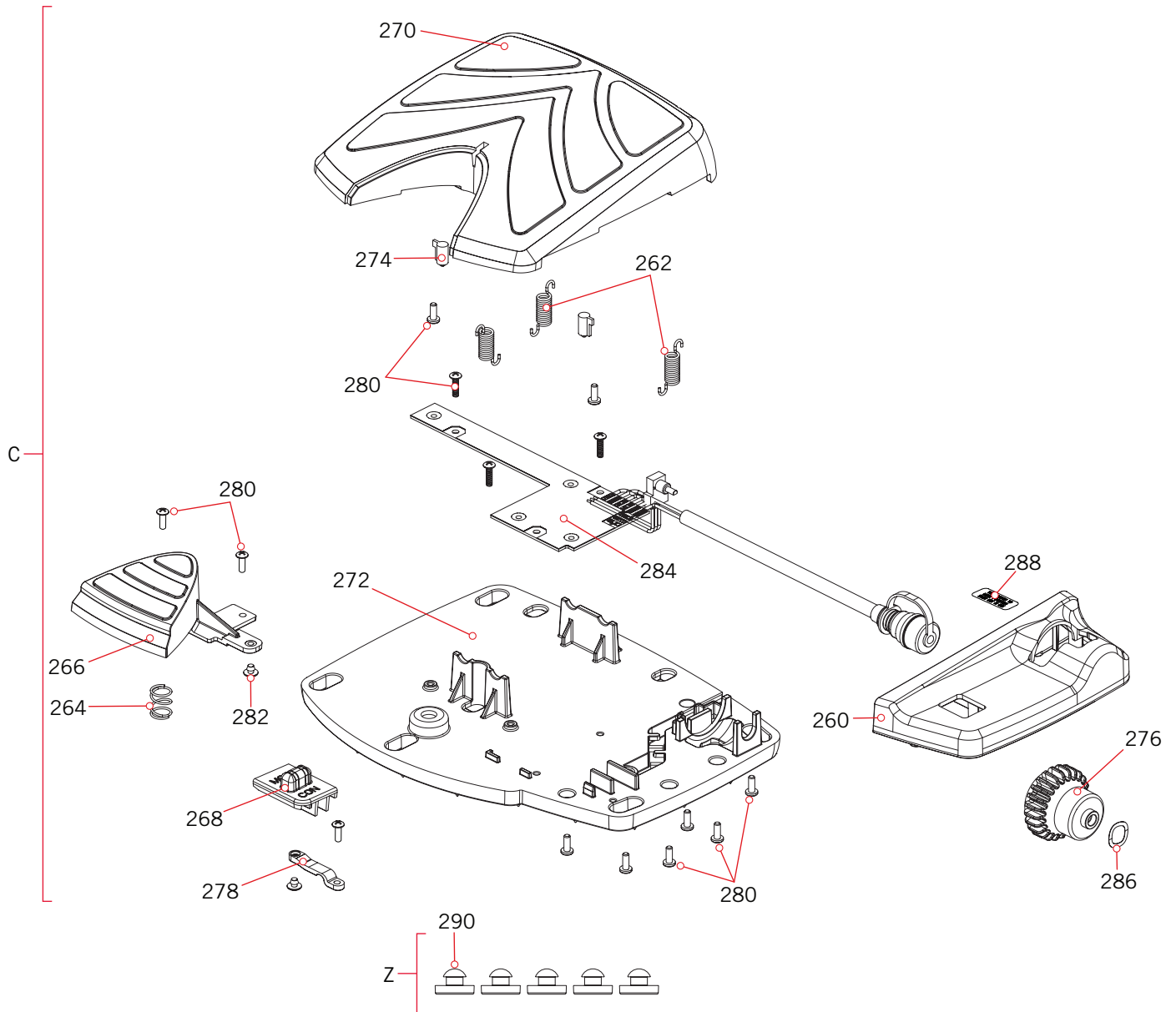
✘ This part is included in an assembly and cannot be ordered individually.

◆ Only available with models factory installed with i-Pilot or i-Pilot Link.

● Only available with models factory installed with CoPilot.

RIPTIDE POWERDRIVE FOOT PEDAL >

> Foot Pedal Parts Diagram



# PARTS DIAGRAM & PARTS LIST

## Foot Pedal Parts List

Assembly	Part #	Description	Quantity
C	2994728	FOOT PEDAL ASSEMBLY, PD	1
Z	2994859	BAG ASY-TERROVA/V2,RUB.BUMPERS	1
Item	Part #	Description	Quantity
260	2300275	COVER-SPEED SELECTOR,PD FP,BLK	1
262	2302730	SPRING-LONG-UPPER PEDAL	3
264	2302732	SPRING-LOWER PEDAL S/S	1
266	2303725	BUTTON-MOMENTARY, PD FP, BLK	1
268	2303730	BUTTON-MOM/CON, PD FP, BLK	1
270	2304406	PEDAL, STRG ROCKER, PD FP, BLK	1
272	2304508	BASE, PEDAL PD	1
274	2305136	BUMPER,STRG RCKR,PD FP,RUBBER	2
276	2307905	WHEEL-SPEED, PD FP, BLK	1
278	2308609	SWITCH LEVER, SINGLE	1
280	2302105	SCREW #6-19 X 3/8 HIGH-LOW SS	14
282	2335130	BUMBER ACTUATOR	2
284	2994053	PCB/CTRL CORD, PD FT PEDAL	1
286	2301750	WASHER, WAVE, PD V3 FP	1
288	2316600	DECAL-ON/OFF SWITCH/PD V2 PED	1
290	2325110	PAD, FOOT PEDAL PD	5

▲ Not shown on Parts Diagram.

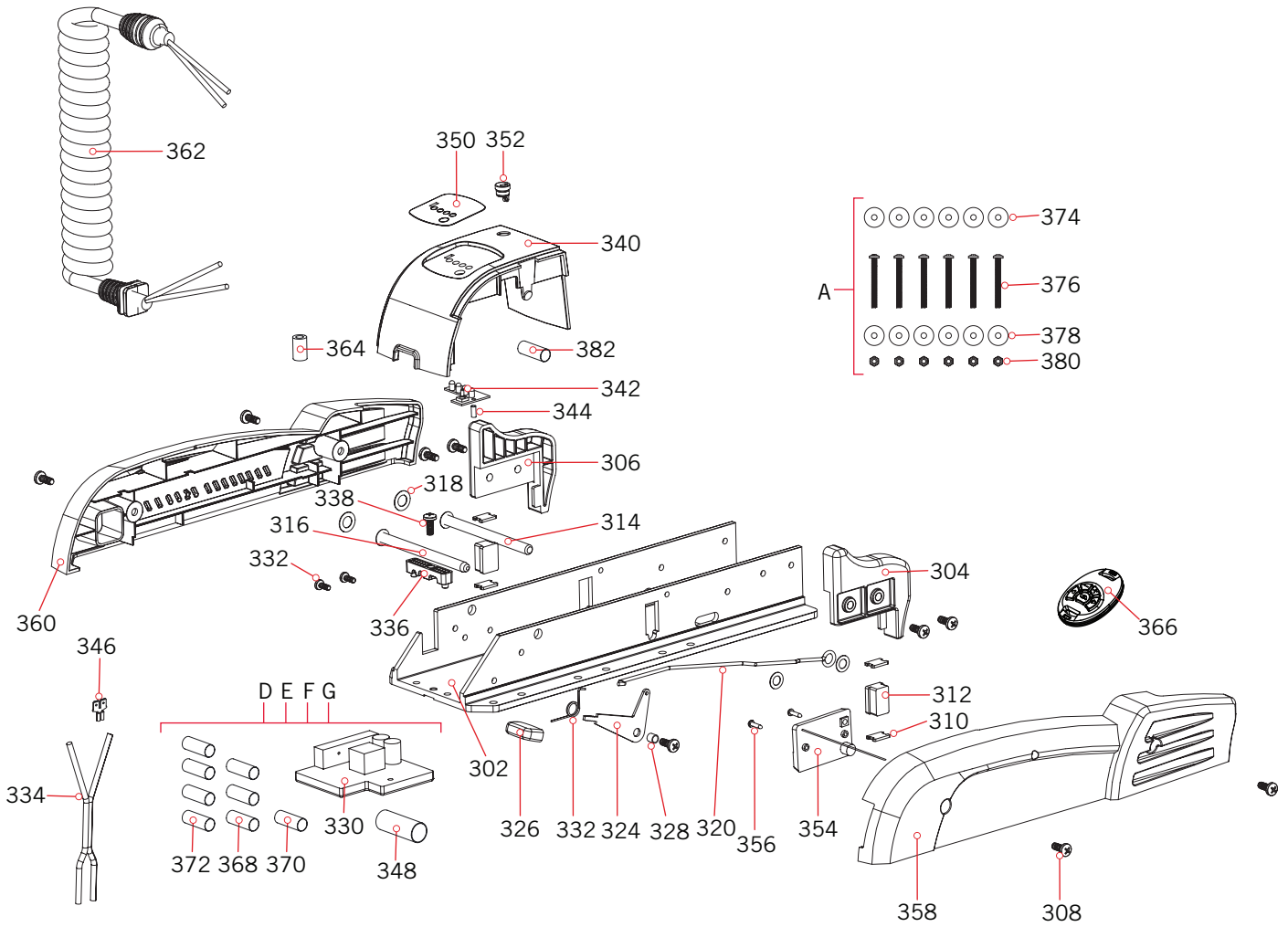
✘ This part is included in an assembly and cannot be ordered individually.

◆ Only available with models factory installed with i-Pilot or i-Pilot Link.

● Only available with models factory installed with CoPilot.

RIPTIDE POWERDRIVE MOUNT >

> Mount Parts Diagram



# PARTS DIAGRAM & PARTS LIST

## Mount Parts List

Assembly	Part #	Description	Quantity
A	2994864	BAG ASSEMBLY - (BOLT, NUT, WASHERS)	1
D	2884058	CONTROL BOARD-24V V2 W AP W/SHRKNK *AUTOPILOT*	1
E	2884055	CONTROL BRD-12V V2 W/O AP W/SHRKNK	1
F	2884057	CONTROL BOARD-12V V2 W/AP W/SHRKNK *AUTOPILOT*	1
G	2884056	CONTROL BRD-24V V2 W/O AP W/SHRKNK	1
Item	Part #	Description	Quantity
302	2301937	EXTRUSION BASE PD V2 *SALTWATER*	1
304	2303932	MOTOR REST-RIGHT, 3 5/8"	1
306	2303937	MOTOR REST-LEFT, 3 5/8"	1
308	2332104	SCREW-1/4-20 X 5/8 S/S *SALTWATER*	9
310	2335110	PAD-PIVOT SUPPORT(SS) *SALTWATER*	4
312	2305103	PIVOT PAD,559 FB DUROMETER 90A	2
314	2330510	PIN-LATCH (PD BASE)SS *SALTWATER*	1
316	2330520	PIN-PIVOT (PD BASE)SS *SALTWATER*	1
318	2333100	NUT-SPEED (SS) *SALTWATER*	4
320	2303612	ROD-RELEASE (RT/AP) S/S	1
322	2322700	SPRING-TORSION	1
324	2333705	LEVER-RELEASE S/S *SALTWATER*	1
326	2300101	RELEASE-KNOB	1
328	2301700	SPACER-RELEASE LEVER-BRASS	1
330	2304067	CONTROL BOARD-24V V2 W/AP *AUTOPILOT*	1
	2304064	CONTROL BRD-12V V2 W/O AP	1
	2304066	CONTROL BOARD-12V V2 W/AP *AUTOPILOT*	1
	2304065	CONTROL BRD-24V V2 W/O AP	1
332	2303434	SCREW-#8-32 X 5/8 MACH PHCR SS	3
334	2090651	LEADWIRE,10 GA, PD/GENESIS	1
336	2321310	STRAIN RELIEF	1
338	2323405	SCREW-1/4-20 X 1/2" MCH SS	1
340	2306571	HOUSING-CENTER RT-WHITE *SALTWATER*	1
342	2074081	BATTERY METER, 24V *SALTWATER* *70LB*	1
	2074080	BATTERY METER, 12V *SALTWATER* *55LB*	1
344	2383428	SCREW-#4-24 X 5/8 HI-LO SS	1
346	2320710	TERMINAL-AMP (T-TAB)	1
348	2325401	SHRINK TUBE-3/4 ID X 2" W/ADHS	1
350	2305642	DECAL,BATTERY METER PD V2 SW *SALTWATER*	1

▲ Not shown on Parts Diagram.

✘ This part is included in an assembly and cannot be ordered individually.

◆ Only available with models factory installed with i-Pilot or i-Pilot Link.

● Only available with models factory installed with CoPilot.

## PARTS DIAGRAM & PARTS LIST



Item	Part #	Description	Quantity
352	2302935	STRAIN RELIEF-DR. HOUSING	1
354	2994112 ●	TRANS/REC ASY PD V2 SW *COPILOT ONLY* *SALTWATER*	1
356	2373418 ●	SCREW-#8 X 5/8 PPHSMS S/S *COPILOT ONLY* *SALTWATER*	2
358	2303982	SIDEPLATE-RIGHT RT-WHITE * SALTWATER*	1
360	2303987	SIDEPLATE-LEFT RT-WHITE *SALTWATER*	1
362	2991280	COIL CRD W/STRN RLF, PD 48"/54"	1
364	2307313	BEAD-FERRITE	1
366	2994020 ●	TRASMTR, ASY, PD/AP COPLT *COPILOT ONLY* *SALTWATER*	1
368	2305410	SHRINK TUBE-.315 OD X 2.25" *SALTWATER*	3
370	2305415	SHRINK TUBE-.472 ID X 2.25" *SALTWATER*	1
372	2305403	SHRINK TUBE-.500 IDX1.0" ADHSV *SALTWATER*	4
374	2263462	SCREW-1/4-20 X 2" S/S PPH ADJT	6
376	2261713	WASHER-1/4 FLAT 18-8 SS	6
378	2263103	NUT-1/4-20 NYLOCK SS	6
380	2301720	WASHER-MOUNTING - RUBBER	6
382	2375400	SHRINK	1

- ▲ Not shown on Parts Diagram.
- ✘ This part is included in an assembly and cannot be ordered individually.
- ◆ Only available with models factory installed with i-Pilot or i-Pilot Link.
- Only available with models factory installed with CoPilot.

