

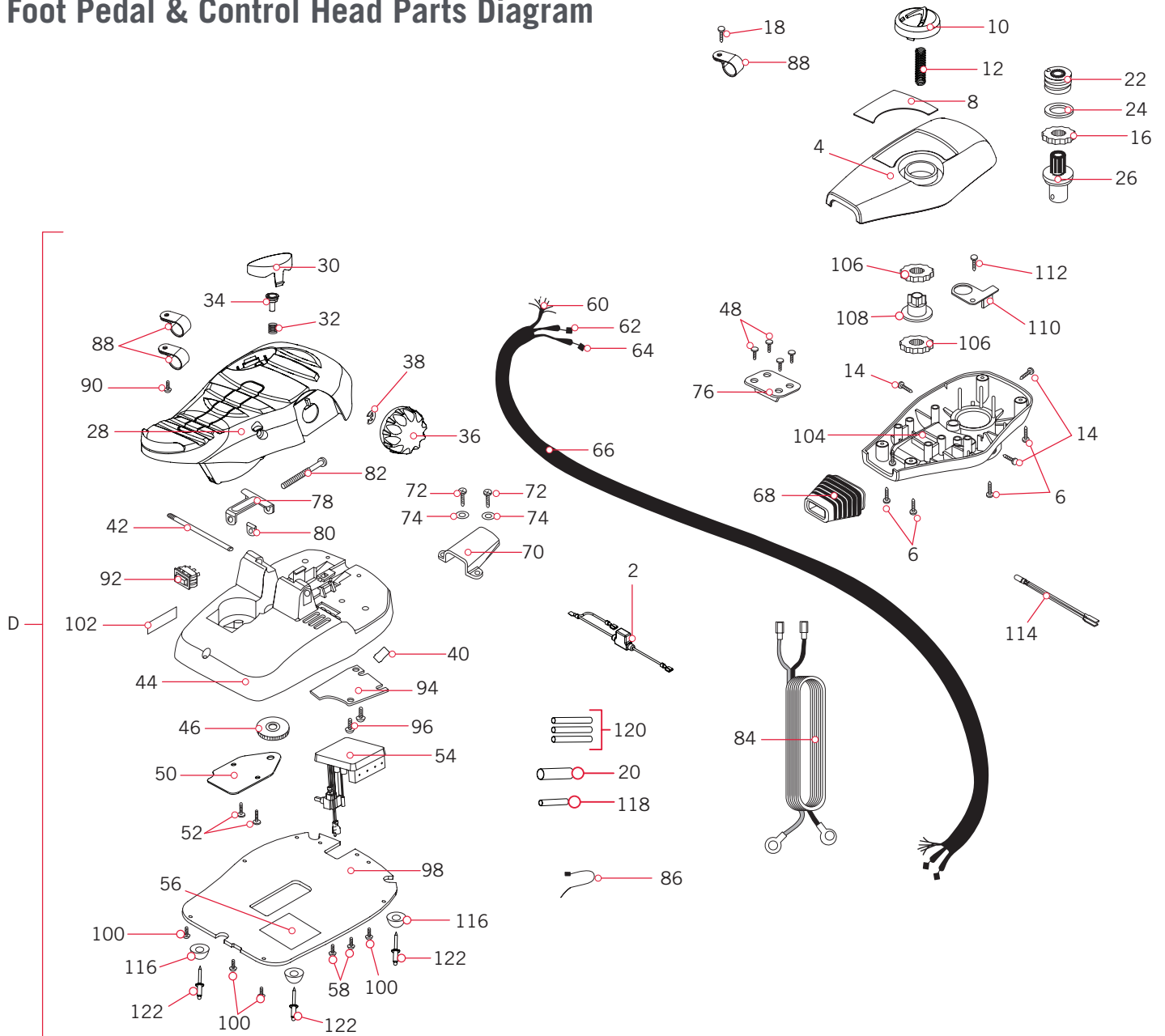
# PARTS DIAGRAM & PARTS LIST

## MAXXUM 70 - 70 LBS THRUST - 24 VOLT - 52" SHAFT

The parts diagram and parts list provides Minn Kota® WEEE compliance disassembly instructions. For more information about where you should dispose of your waste equipment for recycling and recovery and/or your European Union member state requirements, please contact your dealer or distributor from which your product was purchased. Tools required, but not limited to: flat head screwdriver, Phillips screwdriver, socket set, pliers, wire cutters.

### MAXXUM 70 FOOT PEDAL & CONTROL HEAD >

### > Foot Pedal & Control Head Parts Diagram



# PARTS DIAGRAM & PARTS LIST

## ► Foot Pedal & Control Head Parts List

Assembly	Part #	Description	Notes	Quantity
D	2992123	FT PED ASM, MAX 24/36V		1
Item	Part #	Description	Notes	Quantity
2	2218200	FUSE HOLDER ASSEMBLY		1
4	2280202	CONTROL BOX COVER, FTX,MAX/FC		1
6	2372100	SCREW-#8-18 X 5/8 THD* (SS)	NOT PART OF ASSEMBLY D	4
8	2265717	DECAL-COVER, MAX70/FC		1
10	2990140	INDICATOR ASSY		1
12	2282730	SPRING-INDICATOR		1
14	2053414	SCREW-#8-32 X 1/2 TRI-LOBE PPH	NOT PART OF ASSEMBLY D	3
16	2267800	GEAR-INDICATOR		2
18	2372100	SCREW-#8-18 X 5/8 THD* (SS)		1
20	2335400	SHRINK TUBE-1/2 OD X 2"		1
22	2232360	PULLEY-CABLE DRUM		1
24	2261730	WASHER-NYLON A/T CON B		1
26	2996247	TOP BEARING RACE/PINION DRIVE		1
28	2994497	FOOT PEDAL w/PLUG		1
30	2993705	PUSH BTTN/MAGNET ASSY		1
32	2302732	SPRING-LOWER PEDAL S/S		1
34	2260810	CLIP, REED SENSOR		1
36	2280115	KNOB-SPEED CTRL, VARS SPD		1
38	2263000	E-RING TRU-ARC#5133-43		1
40	2266413	TENSION SCREW PLATE FTPEDAL		1
42	2260511	PIN-PIVOT A/T FT PDL		1
44	2994556	ASSEMBLY, FT PEDAL BASE/PIN		1
46	2262301	PULLEY (FOOT PEDAL)		1
48	2223430	SCREW-#8x3/4 PPH,TYPE 25,SS		4
50	2266401	COVER-PULLEY (STAMPING)		1
52	2301310	SCREW-#8-18 X 1/2 (SS)*		2
54	2264056	CTRL BRD ASY-MX/FC 24/36V		1
56	2365107	INSULATING PAD(2.3 X 3.2)		1
58	2223455	SCREW-#10-32 X 1/2" ZP MACHINE		2
60	2261220	WIRE HARNESS, MAXXUM FT.PEDAL		1
62	2267505	CABLE ASSY-RIGHT (5')		1
64	2267515	CABLE ASSY-LEFT (5')		1
66	2265430	CABLE JACKET (5') AT MODEL		1
68	2265110	BOOT-CONTROL BOX		1

▲ Not shown on Parts Diagram.

✳ This part is included in an assembly and cannot be ordered individually.

# PARTS DIAGRAM & PARTS LIST



Item	Part #	Description	Notes	Quantity
70	2265115	BOOT-FOOT PEDAL BASE		1
72	2372100	SCREW-#8-18 X 5/8 THD* (SS)		2
74	2261714	WASHER-MAXXUM FT PDL 18/8 SS		2
76	2261901	BRACKET-CONDUIT AT/MAX		1
78	2263210	BRACKET-CONDUIT ADJUSTMEN		1
80	2263140	KEEPER-NYLOCK		1
82	2263466	SCREW-1/4-20 X 2" PPH SS/REI		1
84	2261238	LEADWIRE,MAX F.PED,61",SM TERM		1
86	2256300	TIE WRAP-5.5" BLACK		1
88	2263201	CLAMP WIRE HARNESS MICRO		3
90	2332103	SCREW-#6-20 X 3/8 THD*(SS)		1
92	2254031	SWITCH-MOM/OFF/COM		1
94	2266412	SWITCH PLATE, FT PEDAL		1
96	2332103	SCREW-#6-20 X 3/8 THD*(SS)		2
98	2264511	BOTTOM PLATE,MX101 FT PED		1
100	2372100	SCREW-#8-18 X 5/8 THD* (SS)		5
102	2266610	DECAL-ON/OFF SWITCH		1
104	2282500	CONTROL BOX , PLASTIC		1
106	2267800	GEAR-INDICATOR		2
108	2262221	INDICATOR-DRIVE (YELLOW)		1
110	2261905	BRACKET/INDICATOR		1
112	2301310	SCREW-#8-18 X 1/2 (SS)*		1
114	2264015	LIGHT/INDICATOR		1
116	2265126	BUMPER PAD, FOOT PEDAL		4
118	2375400	SHRINK TUBE-1/4OD X 1-3/4		1
120	2355410	SHRINK TUBE-3/8 DIA. ID X 2"		3
122	2378600	RIVET-POP,3/16 X 3/4 ALUM.SHNK		4
▲	2267153	MANUAL-MAXXUM / FC		1
▲	2274962	PARTS LIST MAX70/FC-52"		1
▲	2015800	HANG TAG "CAUTION..TILT HINGE"		1
▲	2006809	PRODUCT LABELS,"CAUTION HEAVY"		1

▲ Not shown on Parts Diagram.

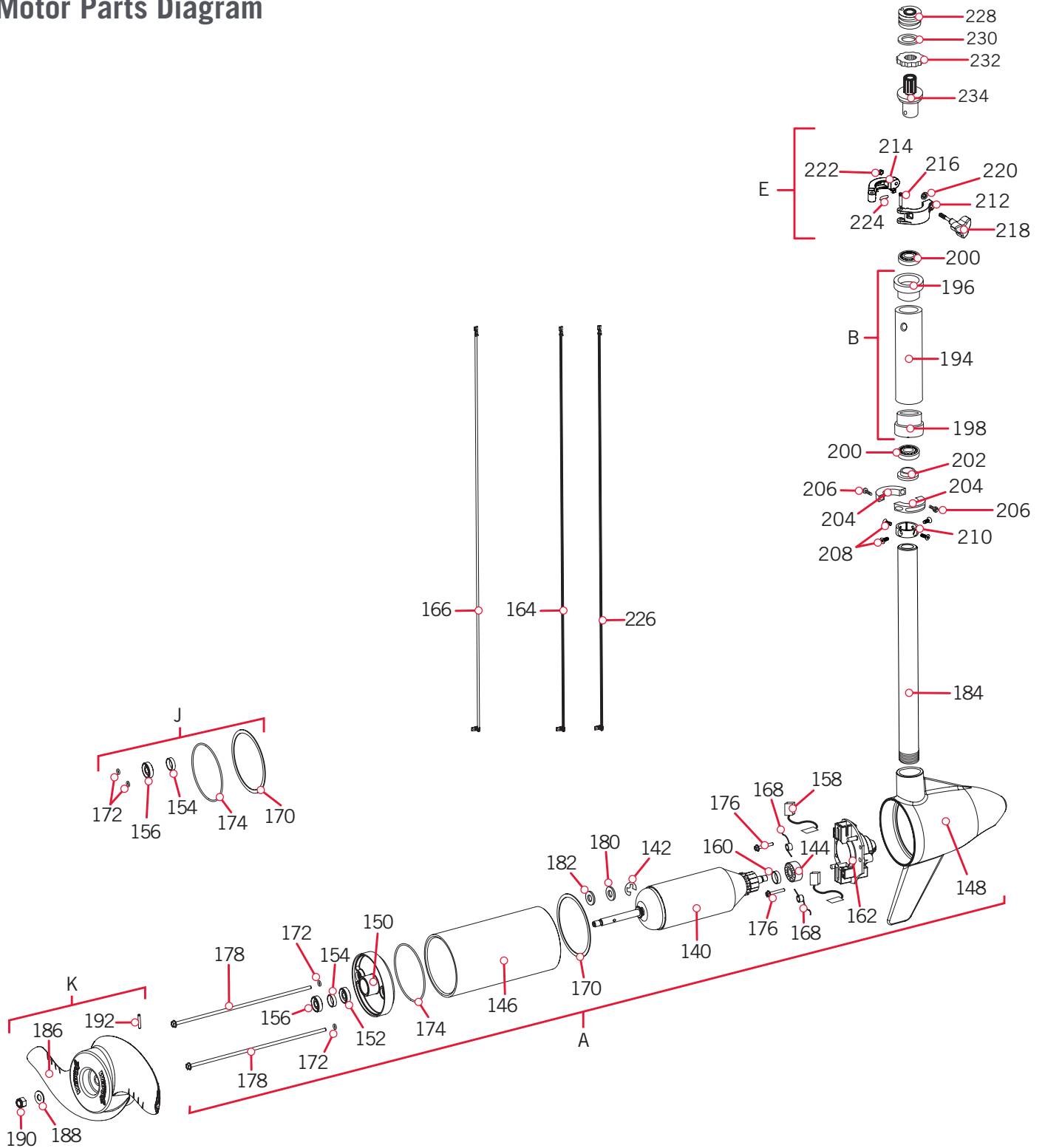
✘ This part is included in an assembly and cannot be ordered individually.



# PARTS DIAGRAM & PARTS LIST

## MAXXUM 70 MOTOR

### Motor Parts Diagram



# PARTS DIAGRAM & PARTS LIST

## Motor Parts List

Assembly	Part #	Description	Quantity
A	2096064	MTR ASY 24V 3.62 VS 70#FW	1
B	2772016	TUBE W/BEARING RACE ASSY	1
E	2991550	CLAMP COLLAR ASSY, MAXXUM	1
J	2888460	SEAL & O-RING KIT TURBO PRO	1
K	1378131	PROP KIT	1
Item	Part #	Description	Quantity
140	2-100-128	ARMATURE ASM 24V 3.62",70	1
142	788-015	RETAINING RING	1
144	140-010	BEARING - BALL	1
146	2-200-005	CTR HSG ASY 3.6 FW-MAGNET	1
148	421-065	HSG BRSH END 3.62 TXT FW	1
150	2-400-101A	PLAIN END HSG ASY 3.625	1
152	144-049	BEARING - FLANGE	1
154	880-003	SEAL	1
156	880-006	SEAL WITH SHIELD	1
158	188-038	BRUSH ASSEMBLY, 3.625", 70#	2
160	725-035	PAPER TUBE - SEAL BORE	1
162	738-038	BRUSH PLATE, 3.625", 70#	1
164	640-008	LEADWIRE BLK 10AWG 63-1/2" GPT	1
166	640-107	LEADWIRE RED 10AWG 65-1/2" GPT	1
168	975-042	SPRING-TORSION, 70# LOWER UNIT	2
170	337-036	GASKET	1
172	701-008	O-RING *THRU-BOLT*	2
174	701-081	O-RING	1
176	830-007	SCREW, # 8-32	2
178	830-008	THRU BOLT 10-32 x 9.205	2
180	990-067	WASHER - STEEL THRUST	1
182	990-070	WASHER - NYLATRON	1
184	2032006	TUBE COMP 52"/48" (51.625")	1
186	2091160	PROP-WW2 (3 5/8") REAMED	1
188	2151726	WASHER-5/16 STD (S/S)	1
190	2053101	NUT-PROP,NYLOC (MED) 5/16 SS	1
192	2092600	PIN-DRIVE 1.06" LG (SS)	1
▲	810-001	RIVET-.25"	4
194	2272067	TUBE OUTER-24" 4 HOLES	1
196	2266260	BEARING RACE	1

▲ Not shown on Parts Diagram.

\* This part is included in an assembly and cannot be ordered individually.

## PARTS DIAGRAM & PARTS LIST



Item	Part #	Description	Quantity
198	2266220	BEARING RACE-STEEL	1
200	2266000	BEARING BALL-STEEL	2
202	2266115	BEARING CONE	1
204	2261622	COLLAR HALF,ALUM (2 PER)	2
206	2263453	SCREW-1/4-20 X 1" SHCS S/S	2
208	2263457	SCREW-#8-32 X 3/8 PFH MACH	4
210	2071560	COLLAR-TUBE (4 HOLES)	1
212	2071550	COLLAR-CLAMP "A" SIDE	1
214	2071555	COLLAR-CLAMP "B" SIDE	1
216	2072621	PIN, KNURLED	1
218	2281505	KNOB-SOFT GRIP, FW	1
220	2071718	WASHER #10 NYLON RETAINING	1
222	2073102	NUT-HEX 1/4-28 SS	1
224	2075120	PAD,URETHANE,DEPTH COLLAR	1
226	640-315	LEADWIRE BROWN 18 AWG 62" GPT	1
228	2232360	PULLEY-CABLE DRUM	1
230	2261730	WASHER-NYLON A/T CON B	1
323	2267800	GEAR-INDICATOR	1
234	2996247	TOP BEARING RACE/PINION DRIVE	1

▲ Not shown on Parts Diagram.

✘ This part is included in an assembly and cannot be ordered individually.

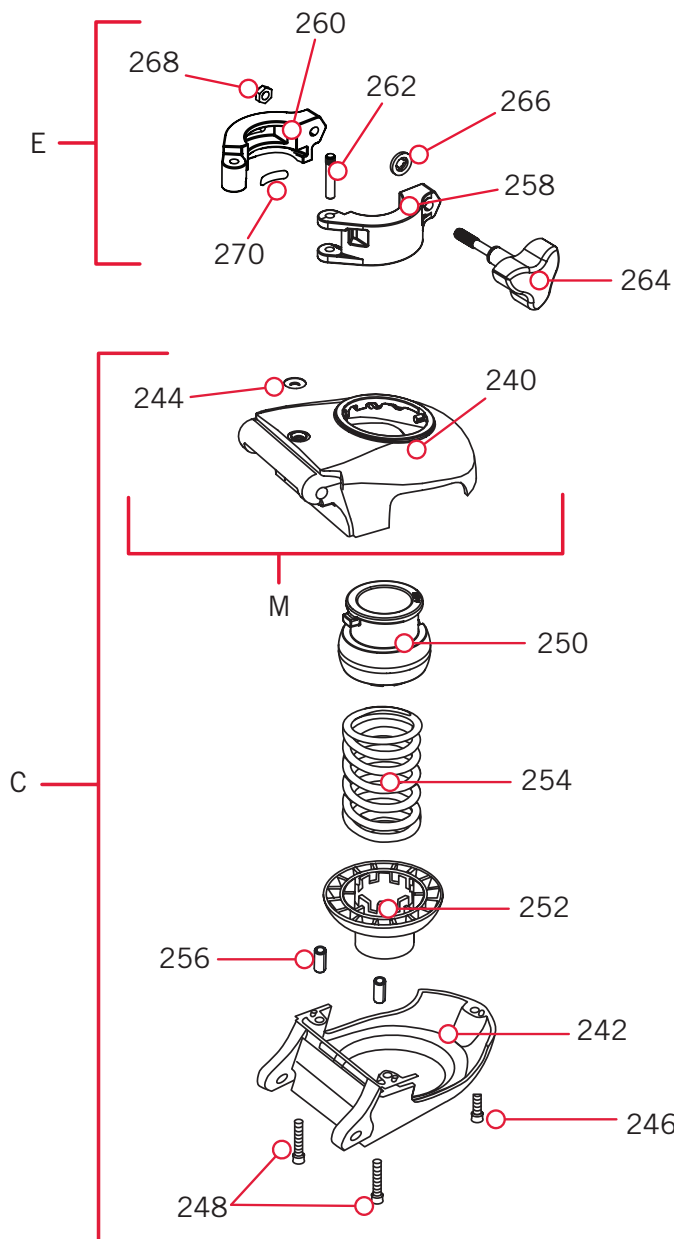


# PARTS DIAGRAM & PARTS LIST



## MAXXUM 70 CONTROL HEAD

### Control Head Parts Diagram



# PARTS DIAGRAM & PARTS LIST



## ► Bowguard Parts List

Assembly	Part #	Description	Quantity
C	2991762	BOWGUARD ASY-FW,FC; HC W/3X	1
E	2991550	CLAMP COLLAR ASSY, MAXXUM	1
M	2772319	BRACKET BASE-TOP/EYELET FW	1
Item	Part #	Description	Quantity
240	2261943	BRACKET BASE TOP FW	1
242	2991776	BRACKET BTM/BEARING FW ASY	1
244	2262315	EYELET-ROPE,STAINLESS STEEL	1
246	2263423	SCREW-5/16-18 X 1" SHCS ZP	1
248	2263425	SCREW-5/16-18 X 2.5" SHCS ZP	2
250	2071541	SPRING-SLEEVE UPPER, MR C MAT'L	1
252	2071535	SPRING SLEEVE, LOWER	1
254	2262712	SPRING, BOWGUARD, FC PAINTED	1
256	2262632	PIN-SPRING 1/4" X 5/8" SS	2
258	2071550	COLLAR-CLAMP "A" SIDE	1
260	2071555	COLLAR-CLAMP "B" SIDE	1
262	2072621	PIN, KNURLED	1
264	2281505	KNOB-SOFT GRIP, FW	1
266	2071718	WASHER #10 NYLON RETAINING	1
268	2073102	NUT-HEX 1/4-28 SS	1
270	2075120	PAD,URETHANE,DEPTH COLLAR	1

▲ Not shown on Parts Diagram.

✘ This part is included in an assembly and cannot be ordered individually.

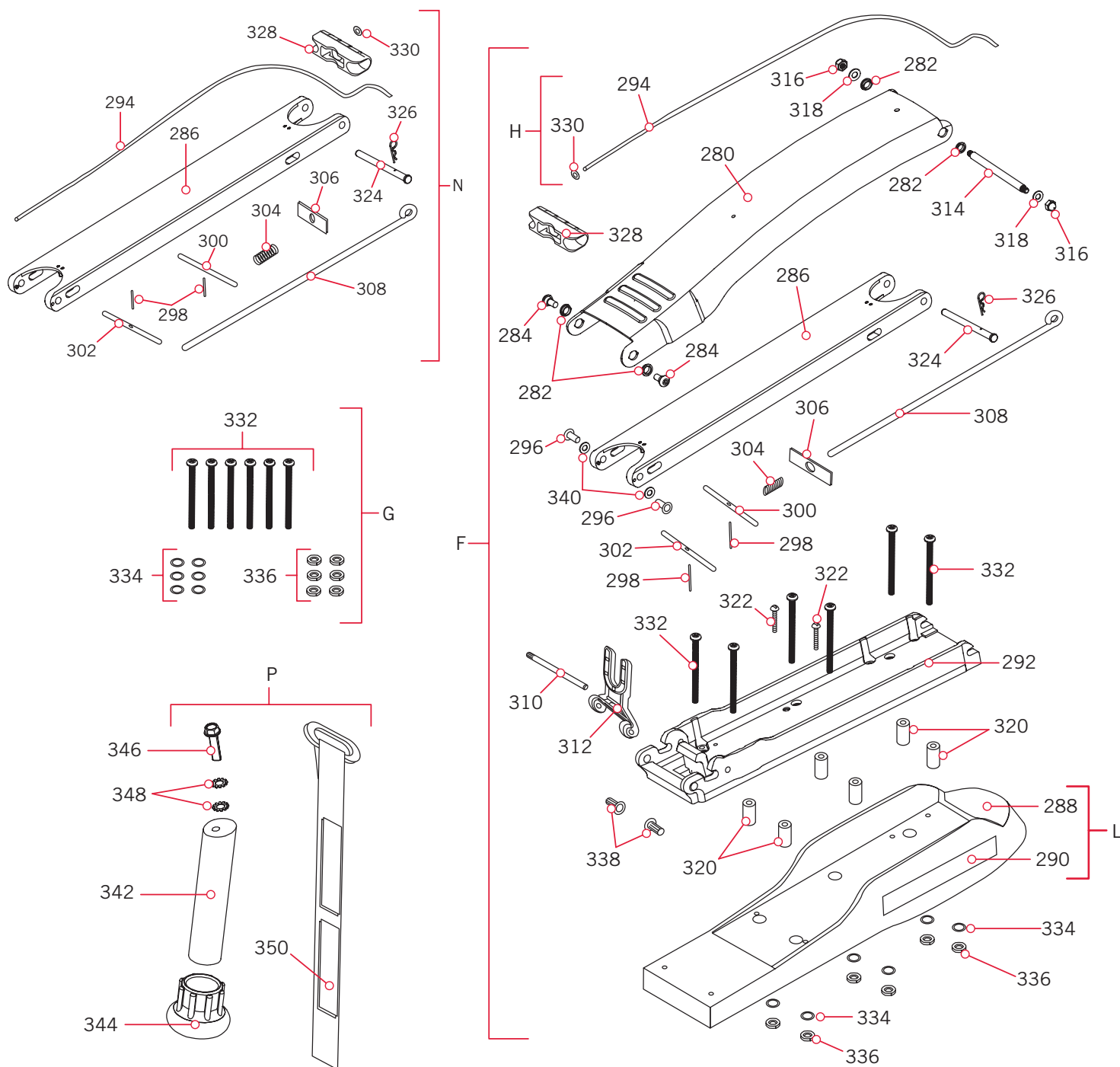




# PARTS DIAGRAM & PARTS LIST

## MAXXUM 70 MOUNT

### Mount Parts Diagram



# PARTS DIAGRAM & PARTS LIST

## Mount Parts List

Assembly	Part #	Description	Quantity
F	2991658	MNT ASM MAXXUM FW LONG	1
G	2994830	BAG ASSY-MAXXUM	1
H	2881601	ROPE W/WASHER(40")MX MT	1
L	2265707	DECAL, MOTOR REST MAXXUM FW	1
N	2774317	ARM-LOWER ASSY FW LONG	1
P	2994841	BAG ASSY,STABILIZER/STRAP	1
Item	Part #	Description	Quantity
280	2264246	ARM-UPPER LNG. FW, TX	1
282	2293501	BUSHING, STAINLESS STEEL	4
284	2263500	BOLT, SHOULDER (MAXXUM)	2
286	2994317	ARM-LOWER ASSY,LG,FW,EXTR	1
288	2263918	MOTOR REST LNG MAXXUM BLK	1
290	2265707	DECAL, MOTOR REST MAXXUM FW	2
292	2773986	BOWPLATE/INST ASY,LG,FW-TXT	1
294	2251601	ROPE (44.5"), MAXXUM MNT	1
296	2267318	BUSHING,FLANGE,5/16 #5L7-F-642	2
298	2152612	SPRING-PIN (LOCKBAR) 18-8 SS	2
300	2233620	LOCK BAR-(BOW MNT) ZP CRS	1
302	2233622	LOCK BAR, REAR - ZP CRS	1
304	2152700	SPRING-(LOCKBAR) CAD.PLTD	1
306	2262703	SPRING STOP MAXXUM	1
308	2153604	EYE SHAFT-2LOCKBAR LG -PLTD	1
310	2260506	HINGE-PIN (HEADLESS)ZINC	1
312	2293811	YOKE,MAX MNT-POLYPROPYLENE	1
314	2262605	PIN-BWGRD,UPPER,THREADED,ZP	1
316	2223100	NUT-5/16-18 NYLOCK S/S	2
318	9908236	WASHER-1/4 FLAT (ZINC)	2
320	2261505	SPACER, MOTOR REST	6
322	2263434	SCREW-#8-18 X 1" PPH S/S	2
324	2262607	PIN-CLEVIS,ZP,MAX BWGRD	1
326	2260805	CLIP-HAIR SPRING,ZP,MAX BG	1
328	2150400	PULL-GRIP	1
330	2151700	WASHER-EYE SHAFT(.562 OD) SS	1
332	2263431	SCREW-1/4-20 X 3.5 PPH	6
334	2261713	WASHER-1/4 FLAT 18-8 SS	6
336	2263103	NUT-1/4-20 NYLOCK SS	6
338	2261540	INSERT-THREADED,BOWPLT,MAX	2
340	2261708	WASHER-3/8"X1/2"X.010 (S/S)	2
342	2268400	SHAFT-SUPPORT, MAXXUM	1
344	2268401	BUMPER-SHAFT, MAXXUM	1
346	2263464	SCREW-1/4-10 X 1 HH TYPE A SS	1
348	2011720	LOCKWASHER-PROP (SMALL)	2
350	2263804	STRAP-HOLD DWN,30.5",VLCR	1
▲	2285801	HANG TAG, HOOK AND LOOP STRAP	1

▲ Not shown on Parts Diagram.

✳ This part is included in an assembly and cannot be ordered individually.