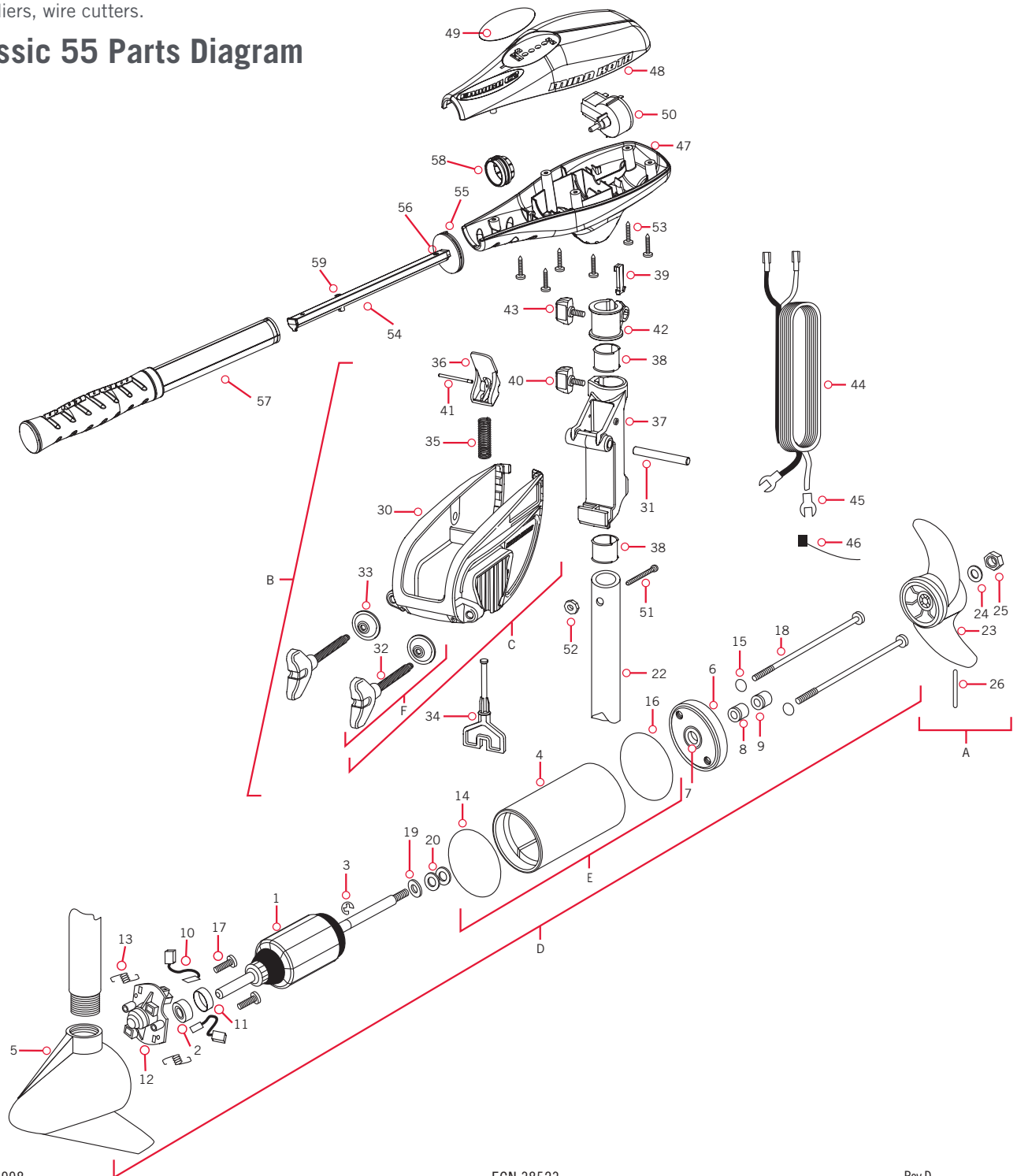


PARTS DIAGRAM & PARTS LIST

CLASSIC 55 - 55 LBS THRUST - 12 VOLT - 36" SHAFT

This page provides Minn Kota® WEEE compliance disassembly instructions. For more information about where you should dispose of your waste equipment for recycling and recovery and/or your European Union member state requirements, please contact your dealer or distributor from which your product was purchased. Tools required, but not limited to: flat head screw driver, Phillips screw driver, socket set, pliers, wire cutters.

Classic 55 Parts Diagram



PARTS DIAGRAM & PARTS LIST

Classic 55 Parts List

Assembly	Part #	Description	Quantity
A	1378170	PROPELLER KIT (INCLUDES 23-26)	1
B	2771818	BRACKET & HINGE ASSEMBLY (INCLUDES 30-41)	1
C	2771910	BRACKET ASSEMBLY (INCLUDES 30, 32, 33)	1
D	2097085	MOTOR ASSEMBLY 12V 3.62 5SPC FW 36"	1
E	2888460	SEAL AND O-RING KIT	1
F	2881300	SCREW — CLAMP, WASHER, RETAINER KIT	2
Item	Part #	Description	Quantity
1	2-100-121	ARMATURE ASSEMBLY 12V 3.62	1
2	140-010	RADIAL BEARING	1
3	788-015	RETAINING RING	1
4	2-200-101	CENTER HOUSING ASSEMBLY	1
5	2-300-196	BRUSH END HOUSING ASSEMBLY 3.62 SPCO 36"	1
6	2-400-101	PLAIN END HOUSING ASSEMBLY	1
7	144-049	FLANGE BEARING (SERVICE ONLY)	1
8	880-003	SEAL	1
9	880-006	SEAL W/SHIELD	1
10	188-036	BRUSH ASSEMBLY	2
11	725-050	BRUSH RETENTION — PAPER TUBE	1
12	738-036	BRUSH PLATE WITH HOLDER	1
13	975-040	TORSION SPRING	2
14	337-036	GASKET	1
15	701-008	O-RING	2
16	701-081	O-RING	1
17	830-007	SCREW — #8-32	2
18	830-042	THRU BOLT #10-32X8.83	2
19	990-067	WASHER — STEEL THRUST	1
20	990-070	WASHER — NYLATRON	2
22	2032046	36" COMPOSITE TUBE	1
23	2091170	POWER PROPELLER 3-5/8"	1
24	2151726	WASHER — 5/16 STD SS	1

Item	Part #	Description	Quantity
25	2053101	NUT — NYLOC 5/16	1
26	2092600	DRIVE PIN	1
30	*	BRACKET	1
31	2060510	HINGE PIN	1
32	*	SCREW — CLAMP	2
33	*	WASHER — CLAMP	2
34	2063605	PLASTIC T-BAR	1
35	2062706	T-BAR SPRING	1
36	2067201	BLACK TILT LEVER	1
37	2061810	PLASTIC HINGE	1
38	2037301	HINGE BUSHING	2
39	2062800	SNAP-IN TENSION BLOCK	1
40	2011385	SCREW — TENSION/KNOB	1
41	2060515	TILT LEVER PIN	1
42	2061520	DEPTH COLLAR	1
43	2011365	SCREW — COLLAR/NEW KNOB	1
44	2050609	LEADWIRE 10 GA SPADE TERM	1
45	2020702	SPADE TERMINAL 10GA.	2
46	2256300	TIE WRAP	2
47	2062515	CONTROL BOX	1
48	2060215	CONTROL BOX COVER	1
49	2065713	DECAL COVER CLASSIC 55	1
50	2064028	SWITCH — FWD/REV 5 SP	1
51	2033401	SCREW — #10-24 X 1-3/4	1
52	2013110	NUT — 10-24 HEX	1
53	2012100	SCREW — #8-18 X 5/8	6
54	2990919	INNER HANDLE ASSEMBLY	1
55	2060405	HANDLE PIVOT	1
56	2012102	SCREW — #6 X 1/2" SS	1
57	2990928	OUTER HANDLE ASSEMBLY	1
58	2060009	FRONT BEARING	1
59	2882726	BALL DETENT, RTNR SPRNG ASM KIT	1

* This part is included in an assembly and cannot be ordered individually.

▲ Not shown on Parts Diagram.