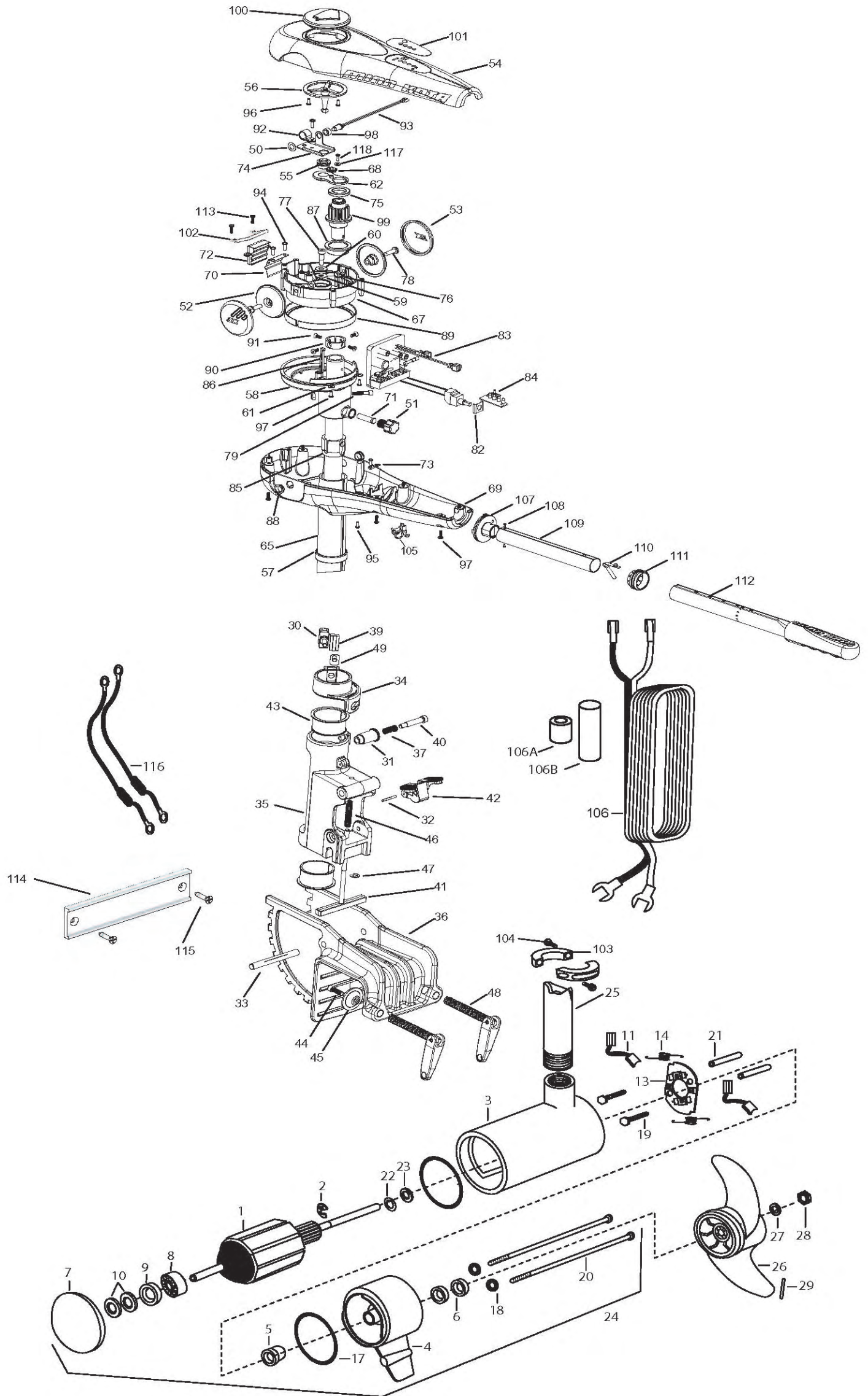


**VECTOR 101- 3X STEERING
SUPER DUTY BRACKET**
101 LBS THRUST
36 VOLT 46 AMP
42" SHAFT

for use with "AI" serial numbers
3-year warranty from the date of purchase



1	2-100-216	ARMATURE ASSEMBLY 36V 4 VARS FW 101#	41	2073603	T-BAR	83	2074054	CONTROL BOARD ASSEMBLY
2	788-040	RETAINING RING	42	2077202	TILT LEVER	84	2074072	BATTERY METER
3	2-200-110	CENTER HOUSING ASSEMBLY 4.0 FW TXT	43	2077310	BUSHING HINGE [2 EA.]	85	2075100	TENSION SLEEVE
4	2-300-160	BRUSH END HOUSING ASSEMBLY 4.0 FW	44	2263452	SCREW 1/4-20 SHCS [2 EA.]	86	2076701	KEY - TUBE
5	421-276	BEARING -FLANGE (SERVICE ONLY)	45	2331700	WASHER CLAMP	87	2077305	BEARING UPPER
6	880-025	SEAL [2.EA]	46	2332700	SPRING	88	2077316	BUSHING PIVOT [2 EA.]
7	421-260	PLAIN END HOUSING ASSEMBLY 4.0	47	2013000	E-RING	89	2077320	BEARING - GEAR CARRIER
8	140-010	BALL BEARING	48	2991301	CLAMP/HANDLE ASSEMBLY [2 EA.]	90	2071560	COLLAR TUBE
9	990-045	THRUST SPACER	49	2263101	NUT-T	91	2223468	SCREW 8-32 [4 EA.]
10	992-010	SPRING WASHER [2.EA]	50	2013100	SPEED NUT	92	2263201	CLAMP WIRE HARNESS
11	188-094	BRUSH 4"W/TERMINAL [2.EA]	51	2070105	KNOB-TENSION	93	2264015	LIGHT INDICATOR
12B	640-018	BRUSH WIRE- BLACK 10 AWG 62 1/2" XLP	52	2070110	PIVOT KNOB [2 EA.]	94	2372100	SCREW 8-18 SS [2 EA.]
12R	640-123	BRUSH WIRE- RED 10 AWG 64 XLP	53	2070117	COVER-PIVOT KNOB [2 EA.]	95	2073416	SCREW 8-32 SS SHCS [2 EA.]
13	738-004	BRUSH PLATE - 4" TERMINAL	54	2070201	COVER 3:1	96	2332103	SCREW 6-20 SS [3 EA.]
14	975-041	SPRING -TORSION [2.EA]	55	2070801	COUPLER SOCKET	97	2303412	SCREW 6-20 X 5/8" [8 EA.]
17	701-009	O-RING -THRU BOLT [2.EA]	56	2070810	COUPLER DRIVE	98	2071525	SPACER-INDICATOR LIGHT
18	701-043	O-RING (2 REQD)	57	2071500	COLLAR LOWER SUPPORT	99	2992205	PINION - MAIN
19	830-027	SCREW -SELF TREADED 10-32 X 2" [2.EA]	58	2071512	YOKE-GEAR CARRIER	100	2998600	INDICATOR ASSEMBLY
20	830-096	THRU BOLT 12-24 X 11.56" SS [2.EA]	59	2071712	WASHER NYLATRON [2 EA.]	101	2075613	DECAL COVER VECTOR 101
21	973-025	SPACER -BRUSH PLATE [2.EA]	60	2071712	WASHER SS	102	2072815	BRACKET- TILT STOP
22	990-051	WASHER-THRUST, STEEL	61	2071714	WASHER FLAT #6 [2 EA.]	103	2261622	COLLAR HALF [2 EA.]
23	990-052	WASHER- NYLATRON	62	2071900	IDLER PLATE	104	2263453	SCREW 1/4-20 X 1" [2 EA.]
24	2316285	MOTOR ASSEMBLY 36V VARS TXT				105	2052900	STRAIN RELIEF
25	2072001	TUBE (COMP) W/3:1, 42"	65	2072086	OUTER TUBE 3:1 42"	106	2090600	LEADWIRE
■	1378132	PROPELLER KIT	67	2072210	GEAR CARRIER	106A	2307310	BEAD - FERRITE [2 EA] (CE MODELS ONLY)
26	2331160	PROPELLER W/WEDGE 2	68	2072215	GEAR- IDLER	106B	2075401	HEAT SHRINK 1.10" OD X 3.5" (CE MODELS ONLY)
27	2091701	WASHER-5/16 SS	69	2072501	CONTROL BOX	107	2990404	PIVOT HANDLE ASSEMBLY
28	2093101	NUT-PROP NYLOC	70	2072705	SPRING DETENT	108	2072102	SCREW #6 X 1/4" [2 EA.]
29	2011385	SCREW-TENSION	71	2072710	SPRING TENSION SLEEVE	109	2070425	HANDLE TUBE
30	2262658	PROP PIN	72	2072810	DETENT BLOCK-TILT	110	2070411	LATCH-BUTTON
31	2070100	KNOB ORIENTATION COLLAR	73	2072811	DETENT BLOCK-SWITCH	111	2070010	BEARING
32	2070513	PIN HINGE ZINC	74	2072900	RETAINER COUPLER	112	2990931A	HANDLE ASSEMBLY-EXT.
33	2070515	PIN PIVOT ZINC	75	2073000	RING PRELOAD	113	2332101	SCREW #8-32 X 1/2" SS [2 EA.]
34	2071505	ORIENTATION COLLAR	76	2073100	HEX NUT - NYLOC [3 EA.]	■	2994844	TRANSOM STABILIZER ASSEMBLY
■	2991825	BRACKET/HINGE ASSEMBLY	77	2073400	SCREW 5/16" X 1/2" SHOULDER	114	2058415	TRANSOM EXTRUSION
35	2071872	HINGE 3:1 BRACKET	78	2073408	SCREW [2 EA.]	115	2053421	SCREW 1/4 -14 X 1" PPH
36	2071941	BRACKET FW BLACK	79	2073410	SCREW	116	2998200	CIRCUIT BREAKER ASSEMBLY
37	2072700	SPRING						
39	2072800	TENSION BLOCK	82	2074000	POT CLIP			
40	2073402	SCREW 5/16 X 1 1/4" SHOULDER						2889460 seal & oring kit

* This item is part of an assembly. This item cannot be sold separately due to machining and /or assembly that is required.

P/N 2074983

REV. F 8-07

Vector 101 is 36-volt only!

