

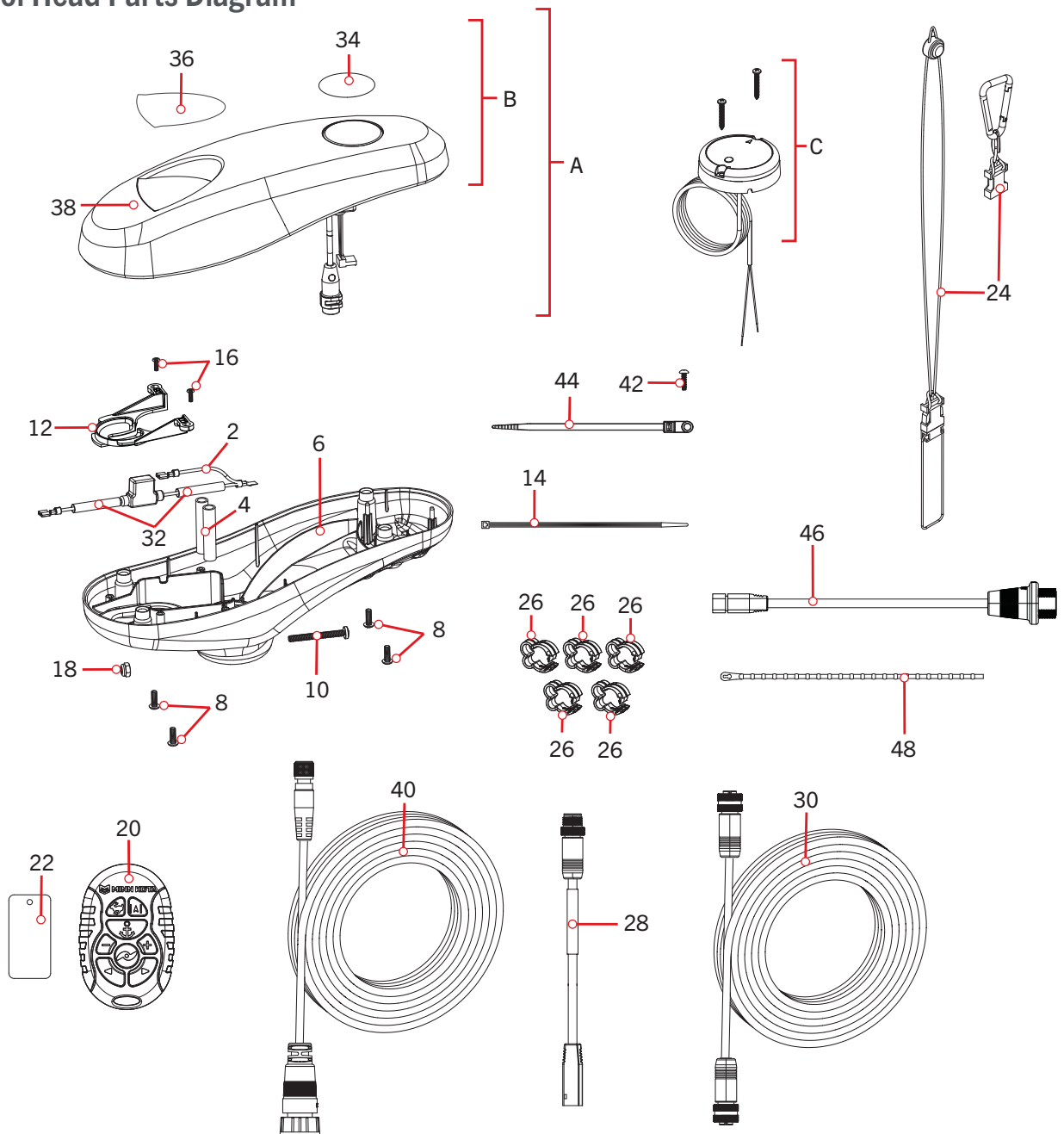
# PARTS DIAGRAM & PARTS LIST

## ULTREX - 80/112 LBS THRUST - 24/36 VOLT - 45"/52"/60" SHAFT

The parts diagram and parts list provides Minn Kota® WEEE compliance disassembly instructions. For more information about where you should dispose of your waste equipment for recycling and recovery and/or your European Union member state requirements, please contact your dealer or distributor from which your product was purchased. Tools required, but not limited to: flat head screwdriver, Phillips screwdriver, socket set, pliers, wire cutters.

### ULTREX CONTROL HEAD >

#### > Control Head Parts Diagram



# PARTS DIAGRAM & PARTS LIST

## Control Head Parts List

Assembly	Part #	Description	Notes	Quantity
A	2774103	CONTROLLER,ADV GPS NAV,TRV/UTX		1
B	2770242	CVR KIT, ADV GPS NAV, TRV/UTX	*COVER & DECALS ONLY*	1
C	2996400	HEADING SENSOR ASSEMBLY		1
Item	Part #	Description	Notes	Quantity
▲	✘	SEAL, BUNG LOWER		1
▲	✘	SEAL, BUNG UPPER		1
2	2218201	FUSE HOLDER ASSEMBLY		1
4	2065400	WIRE INSULATOR-LGE 1-3/4,BLUE		2
6	2292500	CONTROL BOX, ULTREX, T2		1
8	2372100	SCREW-#8-18 X 5/8 THD* (SS)		4
10	2263406	SCREW-#10-24 X 2" S/S PPH		1
12	2224706	PLUG, SCREW-DOWN, BLK		1
14	9953310	TIE WRAP-8.5"		1
16	2203441	SCREW-#6 X 1/2" THRD FORM,SSTL		2
18	2333101	NUT-HEX #10-24 UNC-2B NYL SS		1
20	2994175	REMOTE ASM, MICRO REMOTE		1
22	2394110	TAG, MICRO REMOTE		1
24	2390802	LANYARD w/CARABINR,IP RMT		1
26	2290844	CLIP, CABLE ROUTING		5
28	490380-1	CABLE, ETHERNET PIGTAIL-700 HD		1
30	490384-4	CABLE, ETHERNET (M12-M12), 30'		1
32	2375400	SHRINK TUBE-1/4OD X 1-3/4		2
34	2395524	DECAL, DOMED FW		1
36	2395573	DECAL,PUSH BTN TOP 80 LB	*80LB*	1
	2395574	DECAL,PUSH BTN TOP 112 LB	*112LB*	1
38	✘	COVER,CTRL BOX iP, PD PRINTED		1
40	490575-2	CABLE, ADPTR, 14 PIN, 175"-DSC	*DUAL SPECTRUM CHIRP*	1
	490507-2	CABLE, ADP-INT MDI 14 M12-174"	*BUILT-IN MEGA DOWN IMAGING*	1
42	2203441	SCREW-#6 X 1/2" THRD FORM, SSTL		1
44	2206302	TIE WRAP, SCREW MOUNT 6.3"		1
46	2994961	BAG ASM, CABLE,ADPTR, 490537-2	*490537-2* *MKR-MI-1*	1
48	2206304	TIE WRAP, REUSABLE RED, 6"		1
▲	2205412	SHRINK TUBE-.75 ID X 2"		1
▲	2297165	MANUAL DISCLAIMER DOWNLOAD INFO		1
▲	2297162	MANUAL, ULTREX		1
▲	2297163	QCK REF/INSTALL GUIDE,UTX		1

▲ Not shown on Parts Diagram.

✘ This part is included in an assembly and cannot be ordered individually.

# PARTS DIAGRAM & PARTS LIST



Item	Part #	Description	Notes	Quantity
▲	2394900	INSTRUCTIONS, HEADING SENSOR		1
▲	2207131	STANDARD QS SETUP GUIDE		1
▲	2205810	DECAL-MINN KOTA 12" PROMO		1
▲	2394910	INSTRC. SHEET, MICRO REMO		1
▲	2394912	QCK. REF. GUIDE, MICRO REMOTE		1
▲	2294950	INSTRC-OBN & REMOTE PAIR		1

▲ Not shown on Parts Diagram.

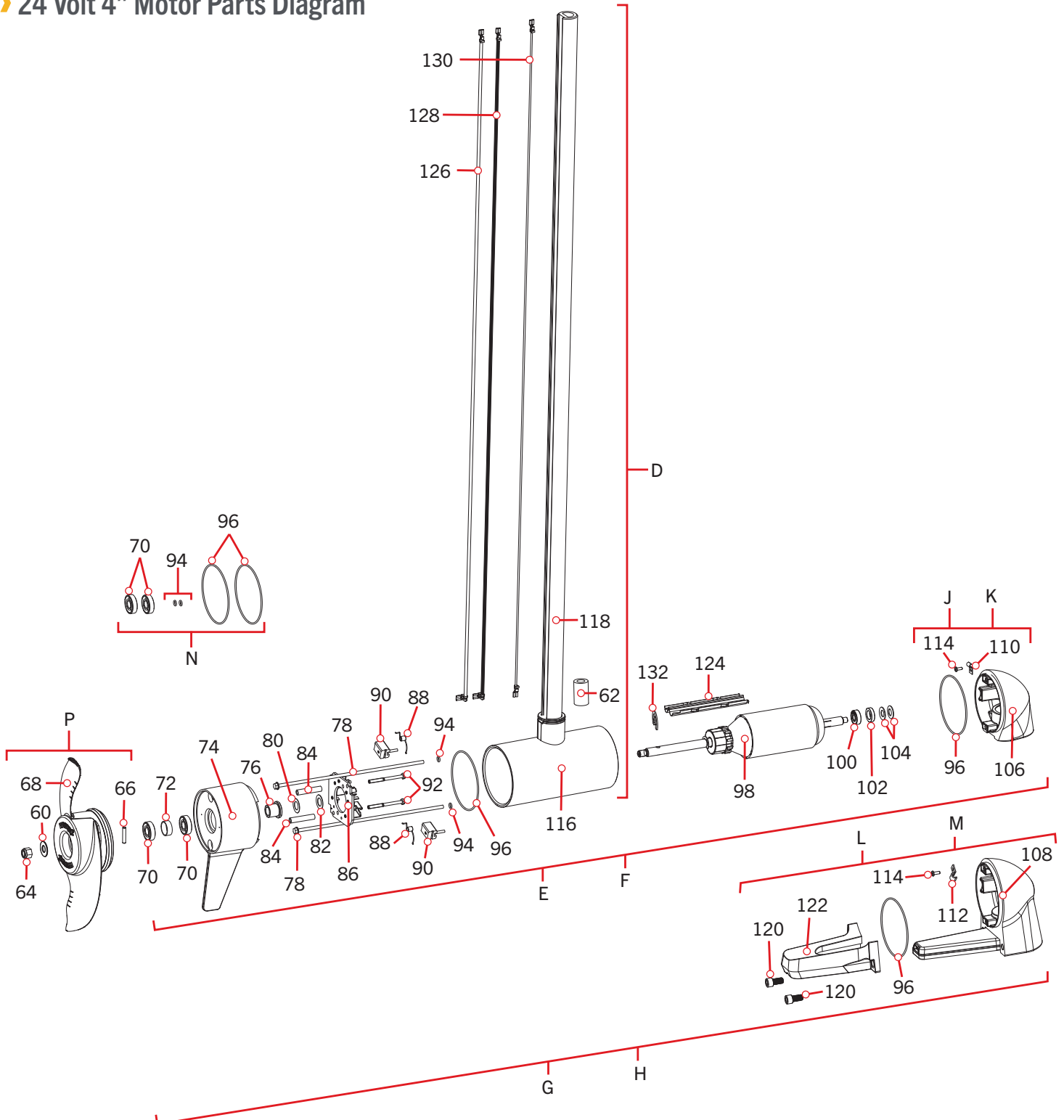
✘ This part is included in an assembly and cannot be ordered individually.



# PARTS DIAGRAM & PARTS LIST

## ULTREX 24 VOLT 4" MOTOR

### 24 Volt 4" Motor Parts Diagram



# PARTS DIAGRAM & PARTS LIST

## 24 Volt 4" Motor Parts List

Assembly	Part #	Description	Notes	Quantity
D	2777196	CTR HSG,CB,80#,FW, UP TO 60"	*CENTER SECTION & TUBE* *CUT TO LENGTH* *BUILT-IN MEGA DOWN IMAGING*	1
E	2437025	MTR ASY 24V 4" 80# DSC CB	*DUAL SPECTRUM CHIRP* *45"*	1
F	2437026	MTR ASY 24V 4" 80# DSC CB	*DUAL SPECTRUM CHIRP* *52"*	1
G	2777135	MTR/TUBE ASM 80# 45"UTX/MDI BT	*BUILT-IN MEGA DOWN IMAGING* *45"* *MOTOR & TUBE*	1
H	2777131	MTR/TUBE ASM 80# 52"UTX/MDI BT	*BUILT-IN MEGA DOWN IMAGING* *52"* *MOTOR & TUBE*	1
J	2993020	PLN END HSG/TRDCR 4.0 DSC	*DUAL SPECTRUM CHIRP* *45"*	1
K	2993021	PLN END HSG/TRDCR 4.0 DSC	*DUAL SPECTRUM CHIRP* *52"*	1
L	2993001	PLN END HSG/TRNDCR 4.0 MDI ASM	*BUILT-IN MEGA DOWN IMAGING* *45"*	1
M	2993003	PLN END HSG/TRNDCR 4.0 MDI ASM	*BUILT-IN MEGA DOWN IMAGING* *52"*	1
N	2889460	80# THRUST SEAL KIT		1
P	1378132	80# THRUST PROP KIT		1
Item	Part #	Description	Notes	Quantity
60	2091701	WASHER-PROP (LARGE)		1
62	✖	BEAD-FERRITE		1
64	2093101	NUT-PROP,NYLOC,LG,MX101 3/8 SS		1
66	2262658	PIN-DRIVE 1" X 3/16" S/S		1
68	2331161	PROP-WW2 4" WELDED		1
70	880-025	SEAL		2
72	725-095	PAPER TUBE - SEAL BORE		1
74	92-300-170	BRUSH END HSG ASY 4.0 FW		1
76	144-017	BEARING - FLANGE		1
78	830-095	THRU BOLT 12-24 x 9.79		2
80	990-052	WASHER - NYLATRON		1
82	990-051	WASHER - STEEL THRUST		1
84	973-025	SPACER - BRUSHPLATE		2
86	9-738-015	BRUSH PLATE-4" terminal		1
88	975-041	SPRING - TORSION		2
90	188-094	BRUSH W/TERMINAL		2
92	830-027	SCREW - SELF-THREAD 10-32X2.25		2
94	701-009	O-RING	*THRU-BOLT*	2
96	701-043	O-RING		2
98	2-100-214	ARM ASSY 24V 4" 80# (WW2)		1
100	140-010	BEARING - BALL		1
102	990-045	SPACER - THRUST		1
104	992-010	WASHER - BELLEVILLE		2
106	✖	PLN END 4.0"US2.5/DSC PNT	*DUAL SPECTRUM CHIRP*	1

▲ Not shown on Parts Diagram.

✖ This part is included in an assembly and cannot be ordered individually.

## PARTS DIAGRAM & PARTS LIST



Item	Part #	Description	Notes	Quantity
108	✘	PLAIN END HOUSING, PNT 4.0 DI	*BUILT-IN MEGA DOWN IMAGING*	1
110	230-038	CABLE CLAMP	*DUAL SPECTRUM CHIRP*	1
112	230-040	CABLE CLAMP, 1/4" STEEL	*BUILT-IN MEGA DOWN IMAGING*	1
114	2302104	SCREW-#6-20 X 3/8 THD CUTS,RIE		1
116	✘	CTR HSG ASY 4.0 FW -MGNTZ		1
118	✘	TUBE-COMP,BLK,48",1/4" WALL	*45"*	1
	✘	TUBE-CMP,BLK,54",1/4" WALL	*52"*	1
120	830-110	SCREW 5-16 - 18 X 5/8 SHCS SS	*BUILT-IN MEGA DOWN IMAGING*	2
122	792-001	GUARD TRANSDUCER, PNT 4.0 DI	*BUILT-IN MEGA DOWN IMAGING*	1
124	582-013	CLIP, RETAINING SHORT		1
126	640-118	LEADWIRE RED 10 AWG 56 XLP	*45"*	1
	640-132	LEADWIRE RED 10AWG 60-1/4 XLP	*52"*	1
128	640-016	LEADWIRE BLK 10 AWG 56 1/2 XLP	*45"*	1
	640-017	LEADWIRE BLK 10 AWG 61 XLP	*52"*	1
130	640-315	LEADWIRE BROWN 18 AWG 62" GPT	*45"*	1
	640-316	LEADWIRE BROWN 18 AWG 71" GPT	*52"*	1
132	788-040	RETAINING RING		1
▲	✘	DSC XDUCER ASSY 62" HW T	*DUAL SPECTRUM CHIRP* *45"*	1
	✘	DSC XDUCER ASSY 73" HW T	*DUAL SPECTRUM CHIRP* *52"*	1
▲	✘	SCREW-#6-32X1/2"TORX PH SS	*DUAL SPECTRUM CHIRP*	3
▲	✘	BUILT- IN MDI 63"	*BUILT-IN MEGA DOWN IMAGING* *45"*	1
	✘	BUILT- IN MDI 74"	*BUILT-IN MEGA DOWN IMAGING* *52"*	1
▲	✘	SCREW-#6-20 X 3/4"THR D CUT,RIE	*BUILT-IN MEGA DOWN IMAGING*	3
▲	810-001	RIVET-.25"		6
▲	2260730	CONNECTOR 1/4 MALE TAB QD		2

▲ Not shown on Parts Diagram.

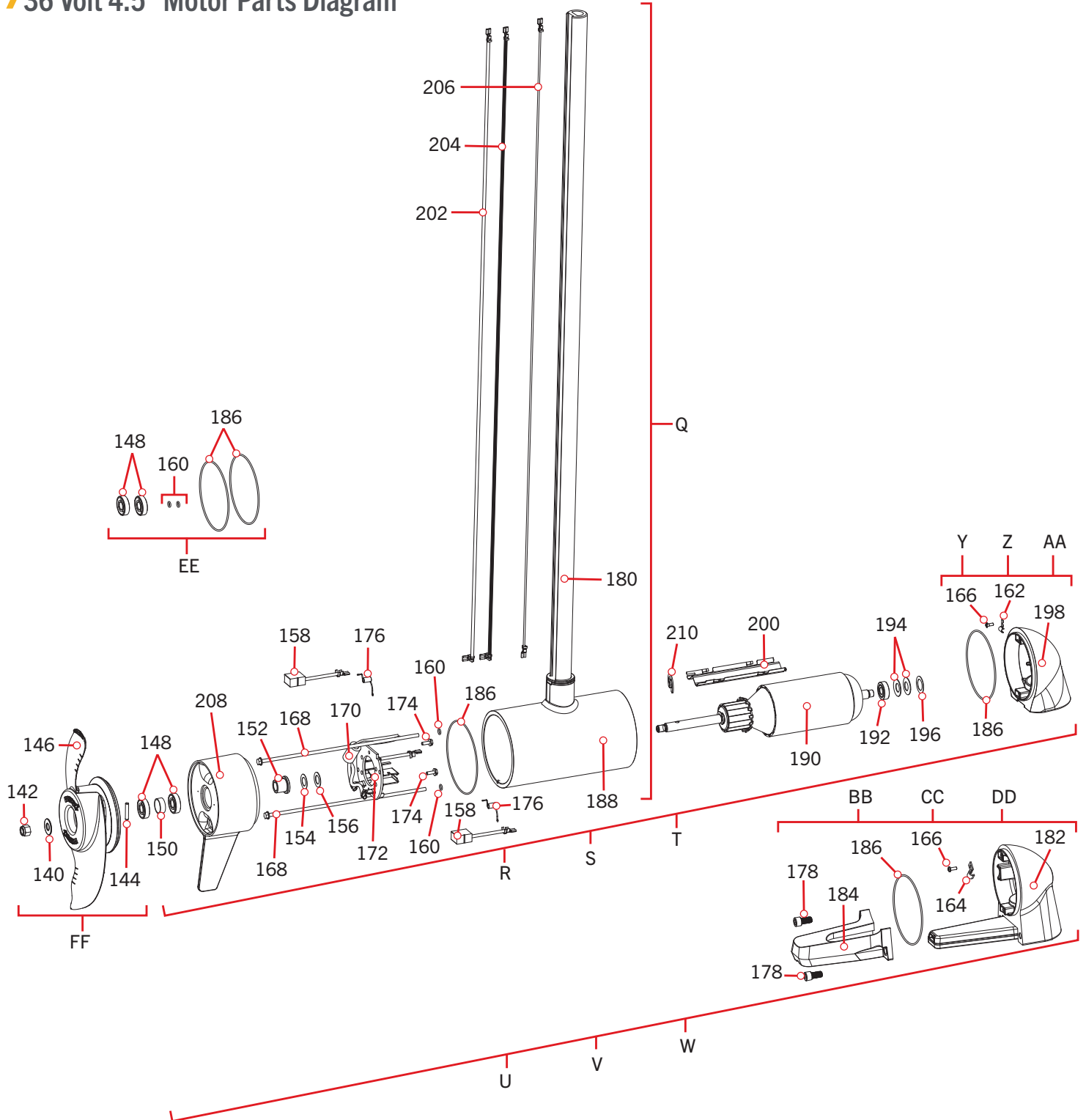
✘ This part is included in an assembly and cannot be ordered individually.



# PARTS DIAGRAM & PARTS LIST

## ULTREX 36 VOLT 4.5" MOTOR

### 36 Volt 4.5" Motor Parts Diagram



# PARTS DIAGRAM & PARTS LIST

## 36 Volt 4.5" Motor Parts List

Assembly	Part #	Description	Notes	Quantity
Q	2777241	CTR HSG,CB,112#,FW, UP TO 60"	*CENTER SECTION & TUBE* *CUT TO LENGTH* *BUILT-IN MEGA DOWN IMAGING*	1
R	2437065	MTR ASY 36V 4.5" 112# DSC	*DUAL SPECTRUM CHIRP* *45"* *MOTOR & TUBE*	1
S	2437066	MTR ASY 36V 4.5" 112# DSC	*DUAL SPECTRUM CHIRP* *52"* *MOTOR & TUBE*	1
T	2437067	MTR ASY 36V 4.5" 112# DSC	*DUAL SPECTRUM CHIRP* *60"* *MOTOR & TUBE*	1
U	2777150	MTR/TUBE ASM 112#45"UTX/MDI BT	*BUILT-IN MEGA DOWN IMAGING* *45"* *MOTOR & TUBE*	1
V	2777151	MTR/TUBE ASM 112#52"UTX/MDI BT	*BUILT-IN MEGA DOWN IMAGING* *52"* *MOTOR & TUBE*	1
W	2777153	MTR/TUBE ASM 112#60"UTX/MDI BT	*BUILT-IN MEGA DOWN IMAGING* *60"* *MOTOR & TUBE*	1
Y	2993022	PLN END HSG/TRDCR 4.5 DSC	*DUAL SPECTRUM CHIRP* *45"*	1
Z	2993023	PLN END HSG/TRDCR 4.5 DSC	*DUAL SPECTRUM CHIRP* *52"*	1
AA	2993024	PLN END HSG/TRDCR 4.5 DSC	*DUAL SPECTRUM CHIRP* *60"*	1
BB	2993052	PLN END HSG/TRNDCR 4.5 MDI	*BUILT-IN MEGA DOWN IMAGING* *45"*	1
CC	2993059	PLN END HSG/TRNDCR 4.5 MDI	*BUILT-IN MEGA DOWN IMAGING* *52"*	1
DD	2993056	PLN END HSG/TRNDCR 4.5 MDI	*BUILT-IN MEGA DOWN IMAGING* *60"*	1
EE	2881450	SEAL & O-RING KIT 112#		1
FF	1378160	PROP KIT 2341160 112# WW2		1
Item	Part #	Description	Notes	Quantity
140	2091701	WASHER-PROP (LARGE)		1
142	2093101	NUT-PROP,NYLOC,LG,MX101 3/8 SS		1
144	2262658	PIN-DRIVE 1" X 3/16" S/S		1
146	2341161	PROP-WW2(4.5)W/ADP.RING		1
148	880-025	SEAL		2
150	725-095	PAPER TUBE - SEAL BORE		1
152	144-017	BEARING - FLANGE		1
154	990-052	WASHER - NYLATRON		1
156	990-051	WASHER - STEEL THRUST		1
158	188-095	BRUSH		2
160	701-009	O-RING, THRU BOLTS	*THRU-BOLT*	2
162	230-038	CABLE CLAMP	*DUAL SPECTRUM CHIRP*	1
164	230-040	CABLE CLAMP, 1/4" STEEL	*BUILT-IN MEGA DOWN IMAGING*	1
166	2302104	SCREW-#6-20 X 3/8 THD CUTS,RIE		1
168	830-094	THRU BOLT 12-24 X10.31		2
170	2307312	BEAD-FERRITE		1
172	9-738-011	BRUSH PLATE ASSY, 4.5"		1
174	2053410	SCREW-BRUSH PLATE, 10-32		2
176	975-045	SPRING-TORSION		2
178	830-110	SCREW-5-16-18 X 5/8 SHCS SS	*BUILT-IN MEGA DOWN IMAGING*	2

▲ Not shown on Parts Diagram.

✱ This part is included in an assembly and cannot be ordered individually.



# PARTS DIAGRAM & PARTS LIST



Item	Part #	Description	Notes	Quantity
180	✘	TUBE-COMP,BLK,48",1/4" WALL	*45"*	1
	✘	TUBE-CMP,BLK,54",1/4" WALL	*52"*	1
	✘	TUBE-COMP,BLK,60",w/1/4" WALL	*60"*	1
182	✘	PLAIN END HSG, PNT 4.5 DI	*BUILT-IN MEGA DOWN IMAGING*	1
184	792-005	GUARD, TRANSDUCER, PNT 4.5 DI	*BUILT-IN MEGA DOWN IMAGING*	1
186	701-098	O-RING, 98MM X 2MM		2
188	✘	CTR HSG ASY 4.5" MAG FW CB TER		1
190	2-100-245	ARMATURE ASY 4.5"LWR UNIT		1
192	140-014	BEARING-BALL		1
194	992-011	WASHER-BELLEVILLE		2
196	990-011	WASHER-SHIM OD 1",ID.630"SS		1
198	✘	PLN END 4.5"US2.5/DSC PNT	*DUAL SPECTRUM CHIRP*	1
200	582-016	CLIP-RETAINING, SONAR		1
202	640-140	LEADWIRE RED 10AWG 61 1/2" GPT	*45"*	1
	640-142	LEADWIRE RED 10AWG 65" GPT	*52"*	
	640-145	LEADWIRE RED 10AWG 75 7/8" GPT	*60"*	1
204	640-040	LEADWIRE BLK 10AWG 62 1/4" GPT	*45"*	1
	640-042	LEADWIRE BLK 10AWG 66 1/4" GPT	*52"*	1
	640-039	LEADWIRE BLK 10 AWG 74" GPT	*60"*	1
206	640-315	LEADWIRE BROWN 18 AWG 62" GPT	*45"* *52"*	1
	640-316	LEADWIRE BROWN 18 AWG 71" GPT	*60"*	1
208	92-300-175	BRUSH END HSG 4.5" FW		1
210	788-040	RETAINING RING		1
▲	✘	DSC XDUCER ASSY 67" HW T	*DUAL SPECTRUM CHIRP* *45"*	1
	✘	DSC XDUCER ASSY 73" HW T	*DUAL SPECTRUM CHIRP* *52"*	1
	✘	DSC XDUCER ASSY 79" HW T	*DUAL SPECTRUM CHIRP* *60"*	1
▲	✘	SCREW-#6-32X1/2"TORX PH SS	*DUAL SPECTRUM CHIRP*	3
▲	✘	BUILT- IN MDI 68"	*BUILT-IN MEGA DOWN IMAGING* *45"*	1
	✘	BUILT- IN MDI 74"	*BUILT-IN MEGA DOWN IMAGING* *52"*	1
	✘	BUILT- IN MDI 80"	*BUILT-IN MEGA DOWN IMAGING* *60"*	1
▲	✘	SCREW-#6-32X1/2"TORX PH SS	*BUILT-IN MEGA DOWN IMAGING*	3
▲	810-001	RIVET-.25"		8
▲	2260731	TERMINAL 1/4" MALE TAB-THREE		2

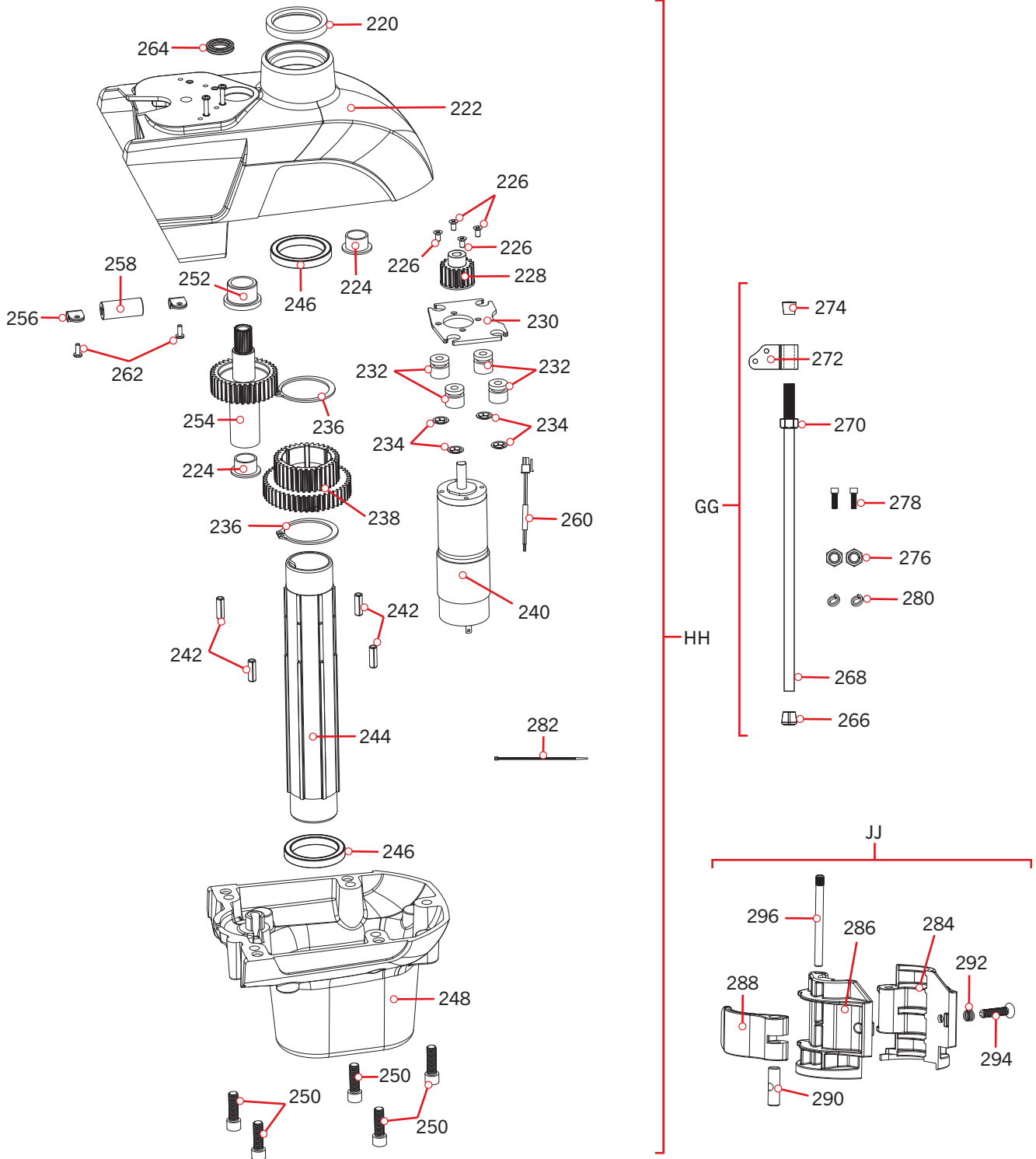
▲ Not shown on Parts Diagram.

✘ This part is included in an assembly and cannot be ordered individually.



ULTREX STEERING MODULE >

> Steering Module Parts Diagram



# PARTS DIAGRAM & PARTS LIST

## › Steering Module Parts List

Assembly	Part #	Description	Notes	Quantity
GG	2991925	BRACKET,STABILZR ARM ASY		1
HH	2991896	STEERING MODULE ASM FW		1
JJ	2991531	CLAMP COLLAR ASM 1.3" DIA		1
Item	Part #	Description	Notes	Quantity
220	✘	SEAL		1
222	✘	HOUSING, UPPER, PAINTED		1
224	✘	BUSHING-1012-08		2
226	✘	SCREW-M4 X 8MM, FHP, SS		4
228	✘	GEAR-MOTOR		1
230	✘	PLATE, MOTOR		1
232	✘	BUSHING, DAMPENING		4
234	✘	NUT-PUSH, 1/4" ZP		4
236	✘	RETAINING RING, 1 3/4" SHAFT		2
238	✘	GEAR-CLUSTER, 35-48T		1
240	✘	MOTOR-DRIVE		1
242	✘	PIN-SPRING, 1/4 X 3/4, ZP		4
244	✘	TUBE-STEER, MACHINED		1
246	✘	BEARING		2
248	✘	HOUSING, LOWER, PAINTED		1
250	✘	SCREW-5/16-18 X 1" SHCS ZP		5
252	✘	BUSHING-1216-12		1
254	✘	GEAR, CABLE		1
256	✘	CABLE CLAMP, 3/16", NYLON		2
258	✘	BEAD-FERRITE		1
260	✘	WIRE HARNESS, MOTOR,SHORT		1
262	✘	SCREW-#6-20 X 3/8 THD*(SS)		2
264	✘	SEAL, QUAD RING, 3/4"		1
266	2265100	BUMPER (CRUTCH TIP)		1
268	2263624	ROD,3/4" ANDZD ALUM.,22"		1
270	2263107	NUT-HEX 3/4-10 UNC NYLON		1
272	2281929	BRACKET, STABILIZER ARM		1
274	2260221	CAP,VINYL, FRTRX / ULTX STBLZR		1
276	2223100	NUT-5/16-18 NYLOCK S/S		2
278	2263422	SCREW-5/16-18 X 1" SHCS SS		2
280	2281700	5/16 "ID X .457 OD HIGH COLLAR LOCK WASHER		2
282	9953310	TIE WRAP-8.5"		1
284	✘	CLAMP COLLAR, BOLT SIDE 1.3"		1

▲ Not shown on Parts Diagram.

✘ This part is included in an assembly and cannot be ordered individually.

# PARTS DIAGRAM & PARTS LIST



Item	Part #	Description	Notes	Quantity
286	✘	CLAMP COLLAR, CAM SIDE 1.3"		1
288	✘	LEVER, CAM LOCK		1
290	✘	PIN 3/8" DIA., CAM LOCK		1
292	✘	SPRING,DEPTH COLLAR,TRAXX		1
294	✘	SCREW-1/4-28X1 1/4 PFH 316SS		1
296	✘	PIN, HINGE		1
▲	✘	PAD, FRICTION		1

▲ Not shown on Parts Diagram.

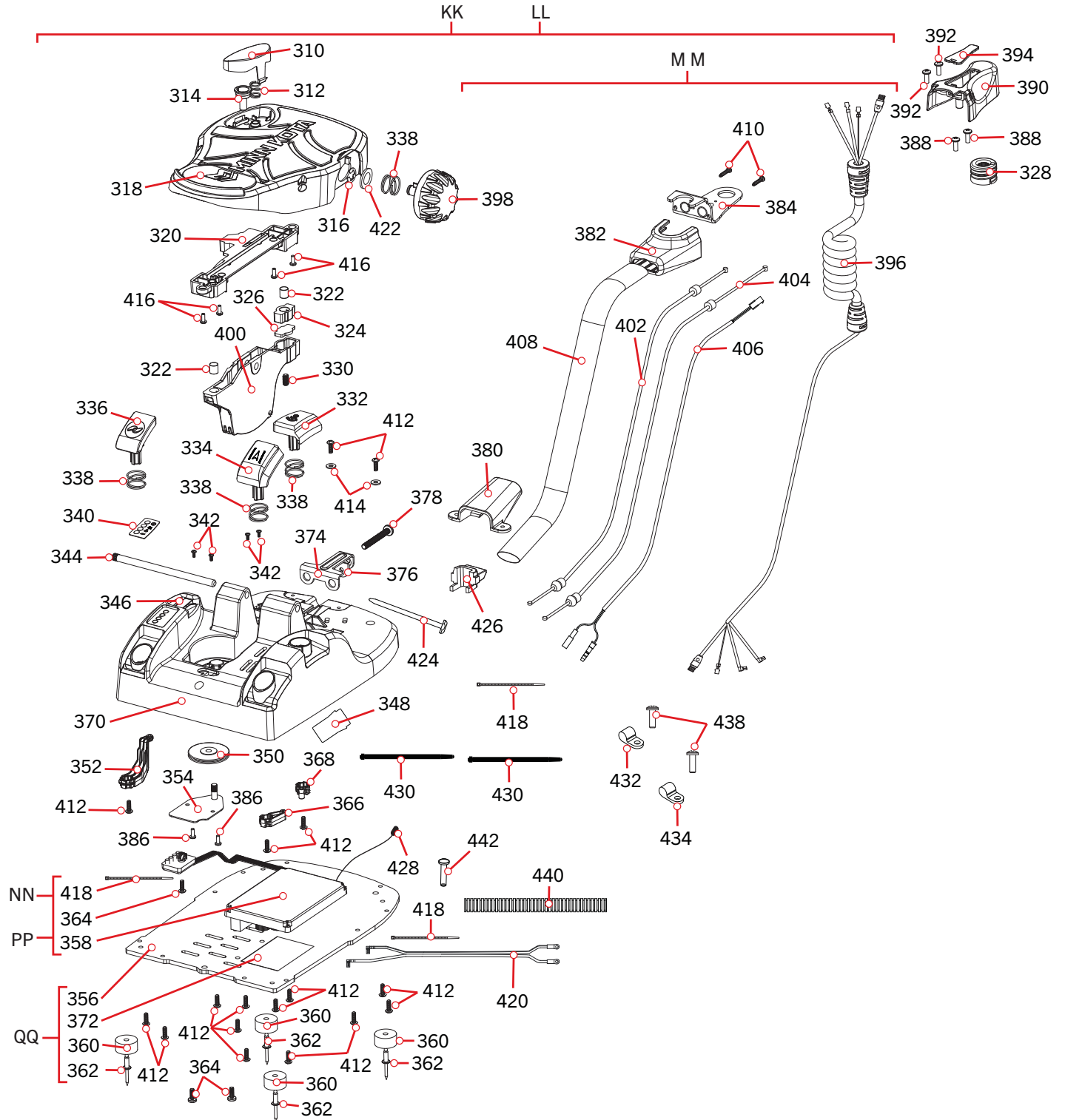
✘ This part is included in an assembly and cannot be ordered individually.



# PARTS DIAGRAM & PARTS LIST

## ULTREX FOOT PEDAL

### Foot Pedal Parts Diagram



# PARTS DIAGRAM & PARTS LIST

## Foot Pedal Parts List

Assembly	Part #	Description	Notes	Quantity
KK	2992158	FT PED w/BASE ASM 24V UTX	*80LB*	1
LL	2992159	FT PED w/BASE ASM 36V UTX	*112LB*	1
MM	2771201	CORD-CABLE ASM, ULTREX		1
NN	2774060	CONTROL BOARD KIT, 24V ULTREX	*80LB*	1
PP	2774061	CONTROL BOARD KIT, 36V ULTREX	*112LB*	1
QQ	2771923	ULTREX FOOT PEDAL PLATE ASM		1
Item	Part #	Description	Notes	Quantity
310	2993705	PUSH BTTN/MAGNET ASSY		1
312	2302732	SPRING-LOWER PEDAL S/S		1
314	2260810	CLIP, REED SENSOR		1
316	2263000	E-RING TRU-ARC#5133-43		1
318	2994451	FOOT PEDAL w/MAGNET, ULTREX		1
320	2294027	CONTROL BRD,SENSOR BRD		1
322	2294410	ACTUATOR-SENSOR, DIA. .375 MAX		2
324	2294420	CARRIER, ACTUATOR		1
326	2294430	BACKER, CARRIER		1
328	2292300	PULLEY, CABLE DRUM		1
330	2293401	SCREW-1/4-20 X 1/2 SET, 316 SS		1
332	2293720	BUTTON-SL, FOOT PEDAL		1
334	2293731	BUTTON, AP FOOT PEDAL		1
336	2293710	BUTTON-PROP, FOOT PEDAL		1
338	2292700	SPRING, BUTTON, FOOT PEDAL		4
340	2295628	DECAL, INDICATOR LIGHTS		1
342	2373440	SCREW-#4-24 X 1/4 PHCR SS TY B		4
344	2260511	PIN-PIVOT A/T FT PDL		1
346	2294011	SWITCH-POWER w/WIRES, UTX FP		1
348	2266413	TENSION SCREW PLATE FTPEDAL		1
350	2262301	PULLEY (FOOT PEDAL)		1
352	2993715	ARM-SENSOR, PROP W/MAGNET		1
354	2266401	COVER-PULLEY (STAMPING)		1
356	2291920	PLATE-BOTTOM		1
358	2294060	CONTROL BOARD,24V,ULTREX	*80LB*	1
	2294061	CONTROL BOARD,36V,ULTREX	*112LB*	1
360	2265126	BUMPER PAD, FOOT PEDAL		4
362	2378600	RIVET-POP,3/16 X 3/4 ALUM.SHNK		4
364	2223455	SCREW-#10-32 X 1/2" ZP MACHINE		2
366	2993735	ARM-SENSOR, AP w/MAGNET		1
368	2993725	ARM-SENSOR, SL w/MAGNET		1

▲ Not shown on Parts Diagram.

✘ This part is included in an assembly and cannot be ordered individually.

# PARTS DIAGRAM & PARTS LIST



Item	Part #	Description	Notes	Quantity
370	2994505	BASE w/PIN, FOOT PEDAL, BL		1
372	2365107	INSULATING PAD(2.3 X 3.2)		1
374	2263210	BRACKET-CONDUIT ADJUSTMEN		1
376	2263140	KEEPER-NYLOCK		1
378	2263466	SCREW-1/4-20 X 2" PPH SS/REI		1
380	2265115	BOOT-FOOT PEDAL BASE		1
382	2296410	COVER, COIL CORD		1
384	2291910	BRACKET, CABLE ANCHOR		1
386	2373450	SCREW-#8-18 X 3/8" THRD.CUT SS		2
388	2323406	SCREW-#10-24 X .50 PPH SS		2
390	2296400	COVER, WRAP DRUM		1
392	2293403	SCREW-#6-32 X .625 PPH SS		2
394	2296405	COVER, MOTOR CONNECTION		1
396	2291200	COIL CORD ASSEMBLY		1
398	2290100	KNOB-SPEED CONTROL		1
400	2294400	LOWER-ROCKER, FOOT PEDAL		1
402	2297505	CABLE ASM, RIGHT (5')		1
404	2297515	CABLE ASM, LEFT (5')		1
406	2297411	WIRE HARNESS, MOTOR, LONG		1
408	2265430	CABLE JACKET 1.00" OD x 62.50		1
410	3393450	SCREW-#6-19 X .75 PPH HI-LO		2
412	2372100	SCREW-#8-18 X 5/8 THD* (SS)		17
414	2261714	WASHER-MAXXUM FT PDL 18/8 SS		2
416	2332103	SCREW-#6-20 X 3/8 THD*(SS)		4
418	2256300	TIE WRAP-6.0" BLACK		3
420	2290605	LEAD WIRE, FOOT PEDAL		1
422	3391722	WASHER, FLAT 7/16		1
424	2296300	TIE WRAP, PANEL MOUNT		1
426	2292915	STRAIN RELIEF, BASE, BL		1
428	2294010	SWITCH-REED		1
430	9953310	TIE WRAP-8.5"		2
432	2290840	P-CLIP, ULTREX FOOT PEDAL		1
434	2052510	CABLE CLAMP, 3/16", NYLON		1
438	2301310	SCREW-#8-18 X 1/2 (SS)*		2
440	2298800	LOOM-WIRE, 1/4 X 4"		1
442	2223430	SCREW-#8X3/4 PPH, TYPE 25,SS		1
▲	2040340	CONNECTOR, SCOTCHLOK, UY2		2
▲	✘	DECAL, COMPLIANCE, KIT 1.6, 3.0		1
▲	✘	DECAL, FCC STATEMENT		1

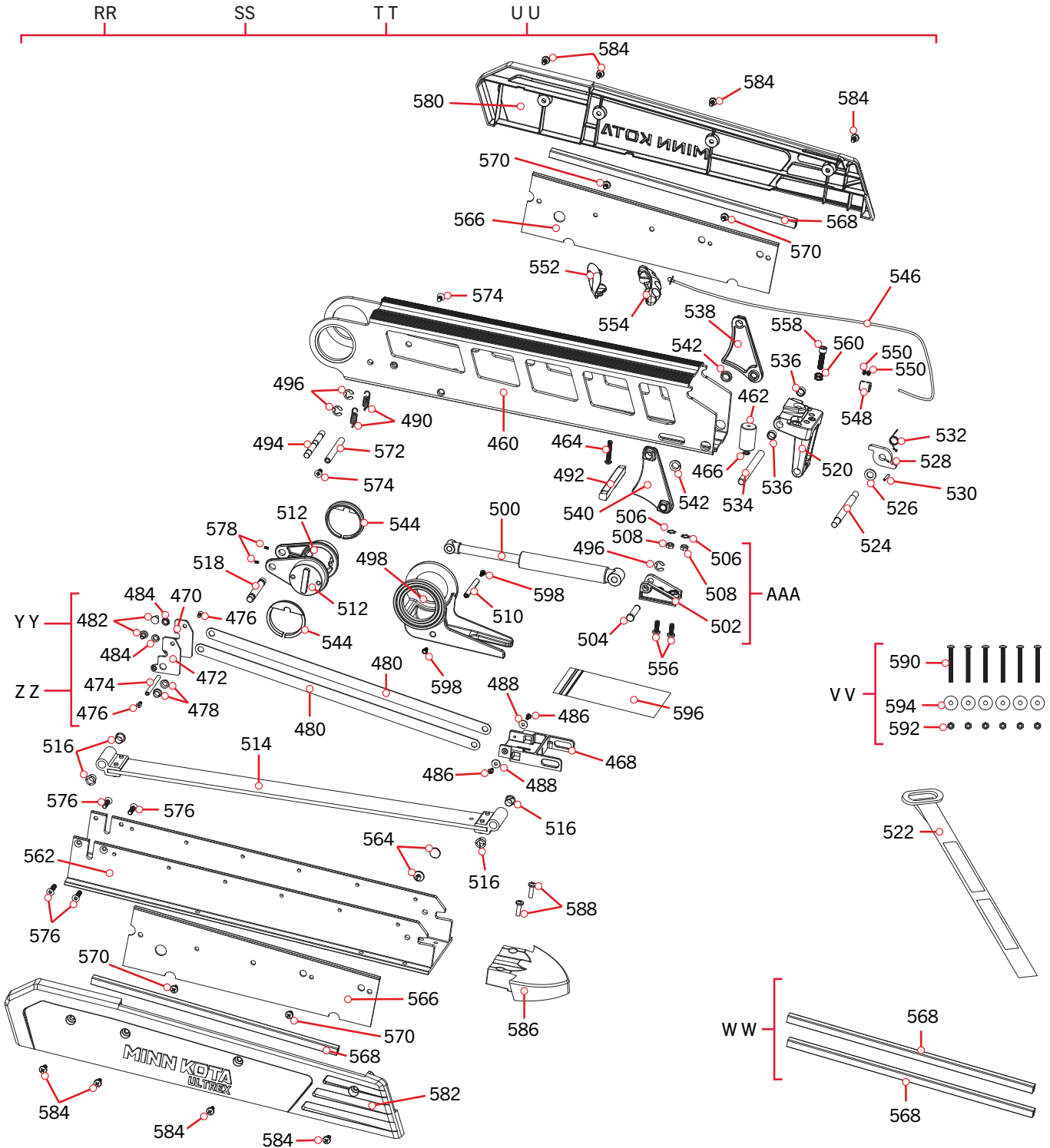
▲ Not shown on Parts Diagram.

✘ This part is included in an assembly and cannot be ordered individually.



## ULTREX MOUNT >

### > Mount Parts Diagram





# PARTS DIAGRAM & PARTS LIST

## Mount Parts List

Assembly	Part #	Description	Notes	Quantity
RR	2771670	MOUNT KIT ASM, ULTREX 80#, 45"	*80LB* *45**	1
SS	2771671	MOUNT KIT ASM, ULTREX 80#, 52"	*80LB* *52**	1
TT	2771672	MOUNT KIT ASM, ULTREX 112#,45"	*112LB* *45**	1
UU	2771673	MOUNT KIT ASM,UTX 112#,52"/60"	*112LB 52"/60**	1
VV	2994887	INSTALLATION HARDWARE BAG ASSEMBLY		1
WW	2886400	RAIL COVER KIT, MOTOR REST		1
YY	2773601	LATCH STRAP ASSY, LONG	*112LB 52"/60** *80LB 52**	1
ZZ	2773600	LATCH STRAP ASSY, SHORT	*112LB 45** *80LB 45**	1
AAA	2991662	MNT ASM, GAS SPRNG, OTR ARM		1
Item	Part #	Description	Notes	Quantity
460	2294226	ARM-OUTER, LONG, ANODIZED	*52** *60**	1
	2294216	ARM-OUTER, SHORT, ANODIZED	*45**	1
462	2281516	SPACER, INNER ARM		1
464	2293417	SCREW-1/4-20 X 1.50" BHCS SS		1
466	2281702	WASHER-LOCK, 1/4" EXT. SS		1
468	2283610	BRKT-LATCH/STRAP, ROPE PULL		1
470	✘	BRACKET, REAR LATCH, RIGHT		1
472	✘	BRACKET, REAR LATCH, LEFT		1
474	2292625	PIN, REAR LATCH		1
476	2223468	SCREW-#8-32 X 7/16 FH, MCH		2
478	✘	BEARING-I GLIDE 3/8 SHAFT		2
480	✘	LATCH STRAP, LONG MNT SS	*52** *60**	2
	✘	LATCH STRAP, SS	*45**	2
482	✘	RIVET, SHLDR 5/16" X .159" SS		2
484	✘	BEARING, NYLINER 5/16" (5L1-FF)		2
486	2373450	SCREW-#8-18 X 3/8" THRD. CUT SS		2
488	2261732	WASHER-#8, NYLON BLACK		2
490	2292725	SPRING, LATCH		2
492	2283616	LATCH BAR, STAINLESS STEEL	*112LB 52/60**	1
	2283615	LATCH BAR	*112LB 45** *80LB 52** *80LB 45**	1
494	2282602	PIN 3/8" X 3 3/4" SS		1
496	2263011	E-RING 3/8 DIA. SHAFT		3
498	2281501	YOKE, FORTREX		1
500	2298412	GAS SPRING, U1.5	*112LB 52/60**	1
	2298411	GAS SPRING, U1.5	*112LB 45** *80LB 52**	1
	2298410	GAS SPRING, U1.5	*80LB 45**	1
502	2291960	MOUNT, GAS SPRING, OUTER ARM		1

▲ Not shown on Parts Diagram.

✘ This part is included in an assembly and cannot be ordered individually.

# PARTS DIAGRAM & PARTS LIST



Item	Part #	Description	Notes	Quantity
504	2292630	PIN-CLEVIS, 3/8, ZP		1
506	3394722	INSERT, PUSH ON		2
508	2073100	NUT-HEX 1/4-20 NYLOC-JAM SS		2
510	2292618	PIN, UPPER SHOCK		1
512	2281932	BRACKET-REAR PIVOT FW		2
514	2993821	ASSY,INNER ARM,LNG,FW	*52"* *60"*	1
	2993819	ASSY,INNER ARM,SHORT,FW	*45"*	1
516	2280005	BEARING,NYLINER 7/16" (7L7-F)		4
518	2282606	PIN-PIVOT, 7/16" X 3 1/8" SS		1
520	2992333	ROPE GUIDE ASSEMBLY		1
522	2773806	STRAP, HOLD DOWN		1
524	2282613	PIN, BOW GUARD, LOWER	*112LB 52/60"*	1
	2282608	PIN 7/16" X 5.15" SS	*112LB 45"* *80LB 52"* *80LB 45"*	1
526	2281704	WASHER-7/16 NYLON		1
528	2283620	LATCH, SAFETY		1
530	2282611	PIN-SPRING 3/32"		1
532	2042711	SPRING-TORSION, SS		1
534	2282600	PIN 7/16" X 4.80" SS		1
536	2287303	BUSHING, UPPER PIN		2
538	2280810	END LINK, LEFT, MACHINED	*112LB 52/60"*	1
	2280800	LINK,BOWGUARD MOUNT,LEFT	*112LB 45"* *80LB 52"* *80LB 45"*	1
540	2280815	END LINK, RIGHT, MACHINED	*112LB 52/60"*	1
	2280805	LINK,BOWGUARD MOUNT,RIGHT	*112LB 45"* *80LB 52"* *80LB 45"*	1
542	2287305	BUSHING, END LINK	*112LB 52/60"*	2
544	2287300	BUSHING-REAR PIVOT		2
546	2291400	CABLE, PULL HANDLE, SS		1
548	2290800	CLAMP, PULL CABLE		1
550	2293404	SCREW-SET-#8X 5/16,POINTED,SS		2
552	2280401	PULL GRIP,SFT,TOP,FTX,UTX		1
554	2280405	PULL GRIP, SOFT, BOTTOM		1
556	2373434	SCREW-1/4-20 X 3/4 SS PPMS		2
558	2293402	SCREW-5/16-18, SHCS, RIE,STEEL		1
560	2291700	WASHER-5/16, M8 WEDGE LCK		1
562	2281903	BASE-EXTRUSION, SHORT, MACH	*45"*	1
	2281913	BASE-EXTRUSION, LONG, MACH	*52"* *60"*	1
564	2286700	PLUG-SPACER,BASE EXTRUSION		2
566	2283631	RAIL, MACH., MOTOR REST		2
568	2286400	COVER-RAIL, MOTOR REST		2

▲ Not shown on Parts Diagram.

✳ This part is included in an assembly and cannot be ordered individually.



# PARTS DIAGRAM & PARTS LIST



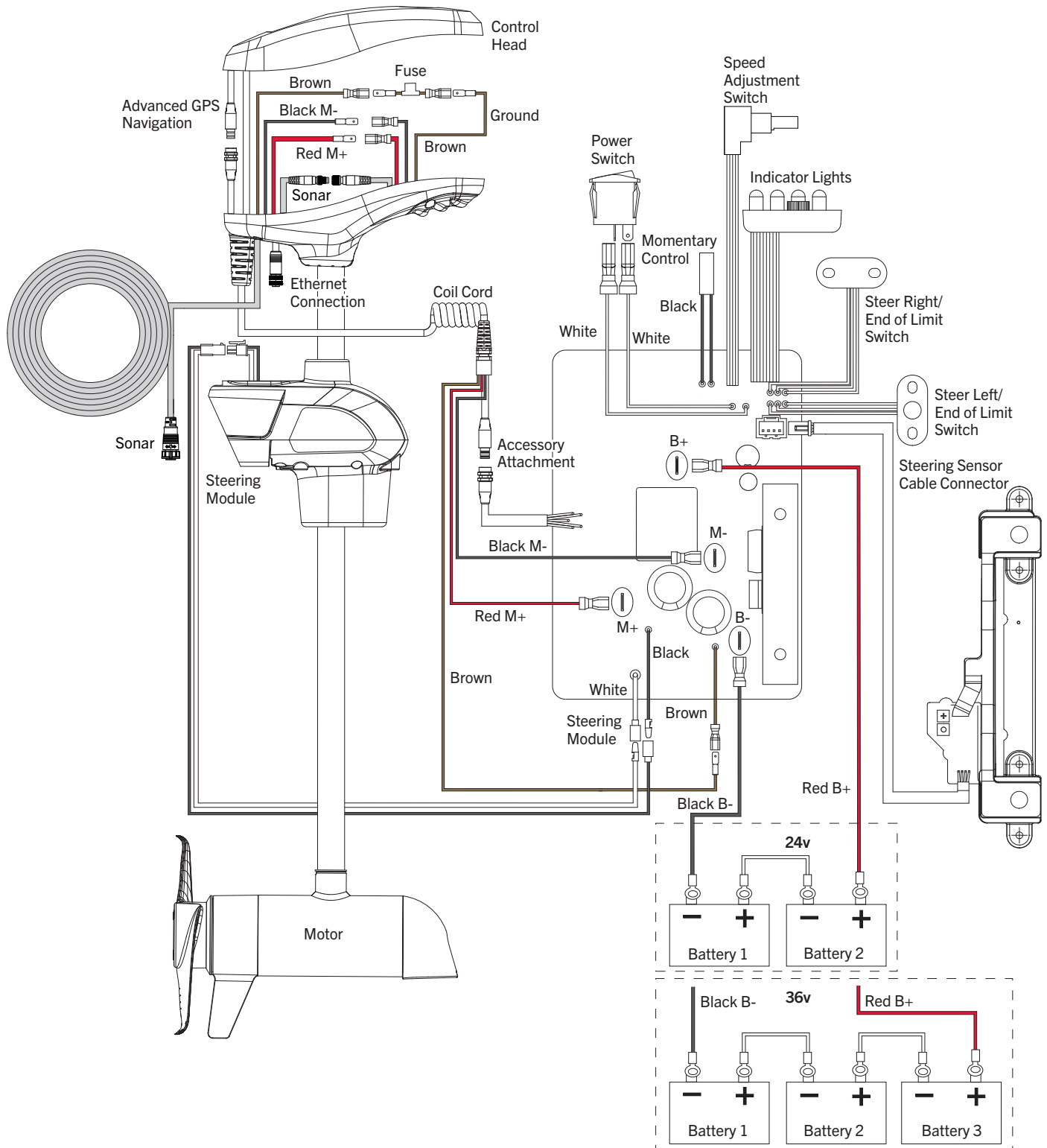
Item	Part #	Description	Notes	Quantity
570	2323403	SCREW-1/4-20 X.375 MCH SS CRPH		4
572	2282610	PIN, UPPER SHOCK		1
574	2283410	SCREW-1/4-20 X .500" PFH		2
576	2283411	SCREW-1/4-20X1.00 FHS RIE TORX		4
578	2283402	SCREW-SET 6-32 X .25" SS		2
580	2283949	SIDEPLATE, LEFT LONG FW UTX	*112LB 52"/60"* *80LB 52"*	1
	2283939	SIDEPLATE, LEFT SHORT FW UTX	*112LB 45"* *80LB 45"*	1
582	2283944	SIDEPLATE, RIGHT LONG FW UTX	*112LB 52"/60"* *80LB 52"*	1
	2283934	SIDEPLATE, RIGHT SHORT FW UTX	*112LB 45"* *80LB 45"*	1
584	2323405	SCREW-1/4-20 X 1/2" MCH SS	*112LB 45"* *80LB 45"*	6
	2323405	SCREW-1/4-20 X 1/2" MCH SS	*112LB 52"/60"* *80LB 52"*	8
586	2283900	RAMP-MOTOR		1
588	2073408	SCREW-1/4-20 X 7/8 PPH S/S		2
590	2263468	SCREW-1/4-20X2.5" S/S PPH		6
592	2263103	NUT-1/4-20 NYLOCK SS		6
594	2261713	WASHER-1/4 FLAT 18-8 SS		6
596	2295800	HANG TAG, ULTREX 1.5		1
598	2293408	SCREW-#8-32X.375 FLNG HH		2
▲	2015800	HANG TAG "CAUTION..TILT HINGE"		1
▲	2285801	HANG TAG, HOOK AND LOOP STRAP		1

▲ Not shown on Parts Diagram.

✘ This part is included in an assembly and cannot be ordered individually.



# MOTOR WIRING DIAGRAM



**NOTICE:** This is a multi-voltage diagram. Double-check your motor's voltage for proper connections. Over-Current Protection Devices are not shown in this illustration.