

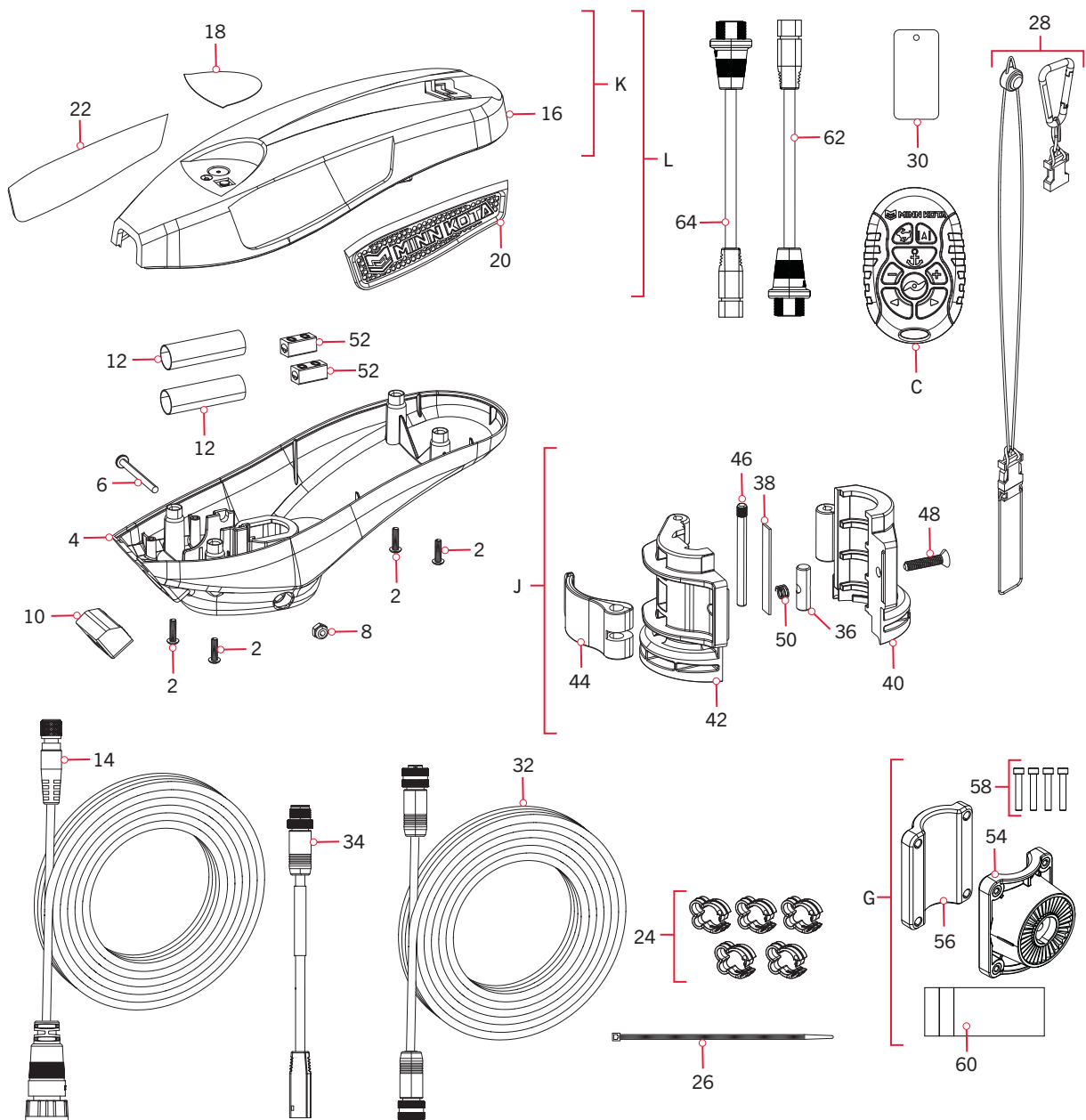
PARTS DIAGRAM & PARTS LIST

ULTREX QUEST - 90/115 THRUST - 24/36 VOLT - 45"/52"/60" SHAFT

The parts diagram and parts list provides Minn Kota® WEEE compliance disassembly instructions. For more information about where you should dispose of your waste equipment for recycling and recovery and/or your European Union member state requirements, please contact your dealer or distributor from which your product was purchased. Tools required, but not limited to: flat head screwdriver, Phillips screwdriver, socket set, pliers, wire cutters.

ULTREX QUEST CONTROL HEAD >

> Control Head Parts Diagram



PARTS DIAGRAM & PARTS LIST

Control Head Parts List

Assembly	Part #	Description	Notes	Quantity
C	2994175	REMOTE ASM, MICRO REMOTE		1
J	2991532	DEPTH COLLAR ASSEMBLY		1
K	2774193	MTR KIT, 4.0 BL FW MR	*COVER AND DECALS*	1
L	2994191	MTR KIT, 4.0 BL FW MR GND	*COVER, ELECTRONICS, AND DECALS*	1
G	540321-1	HDWE, BGD, 1.5" SHAFT MNT-ML	*HUMMINBIRD 360 BRACKET ADAPTER*	1
Item	Part #	Description	Notes	Quantity
2	2293450	SCREW-#6-19 X 1.0 PPH HI-LO		4
4	2202520	CONTROL BOX BASE,ULT/UTX FW		1
6	2263406	SCREW-#10-24 X 2" S/S PPH		1
8	2333101	NUT-HEX #10-24 UNC-2B NYL SS		1
10	2206711	PLUG, RUBBER, 2D		1
12	2095400	SHRINK TUBE,16MM, 2", 4:1		2
14	490575-2	CABLE, ADPTR, 14 PIN, 175"-DSC		1
16	2200220	CONTROL BOX COVER,ULT/UTX		1
18	2395590	DECAL,PUSH BTN U2 FW SERV		1
20	2205540	DECAL, CTRL BOX MK RIGHT FW		1
22	2205545	DECAL, CTRL BOX MK LEFT FW		1
24	2290845	CLIP, CABLE ROUTING		5
26	9953310	TIE WRAP-8.5"		1
28	2390802	LANYARD w/CARABINR, IP RMT		1
30	2394110	TAG, MICRO REMOTE		1
32	490384-4	CABLE, ETHERNET (M12-M12), 30'		1
34	490380-1	CABLE, ETHERNET PIGTAIL-700 HD		1
36	2292617	PIN, HINGE		1
38	2295110	PAD, FRICTION		1
40	2291532	DEPTH COLLAR, BOLT HALF		1
42	2291537	DEPTH COLLAR, CAM HALF		1
44	2297200	LEVER, CAM LOCK		1
46	2062610	PIN 3/8" DIA., CAM LOCK		1
48	2063400	SCREW-1/4-28 X 1 1/4" PFH SS		1
50	2062720	SPRING,DEPTH COLLAR,TRAXX		1
52	2375441	SPLICER. 4-14 AWG		2
▲	2205810	DECAL-MINN KOTA 12" PROMO		1
▲	2297166	MANUAL, ULTREX 2		1
▲	2394910	INSTRUC. SHEET, MICRO REMOTE		1
▲	2297165	MANUAL-DISCLAIMER,DNLOAD INFO		1
▲	2394912	QCK REF.GUIDE, MICRO REMOTE		1
▲	2297167	INSTALL GUIDE, ULTREX 2		1
▲	2294950	INSTRC-OBN & REMOTE PAIR		1
▲	2207131	STANDARD QS SETUP GUIDE		1
54	✖	ASSY, MOUNT, TM SHAFT, 1.5"	*SEE ASSEMBLY G*	1
56	✖	MOUNT, CLAMP, TM SHAFT 1.5"	*SEE ASSEMBLY G*	1
58	✖	SCREW,#10-32x1-1/8, SHCS	*SEE ASSEMBLY G*	4
60	✖	PAD, RUBBER, 1/8"- ML	*SEE ASSEMBLY G*	1
62	2994960	BAG ASM, CABLE ADPT, 490518-1	*490518-1* *MKR-MDI-2*	1
64	2994961	BAG ASM, CABLE ADPT, 490537-2	*490537-2* *MKR-MI-1*	1

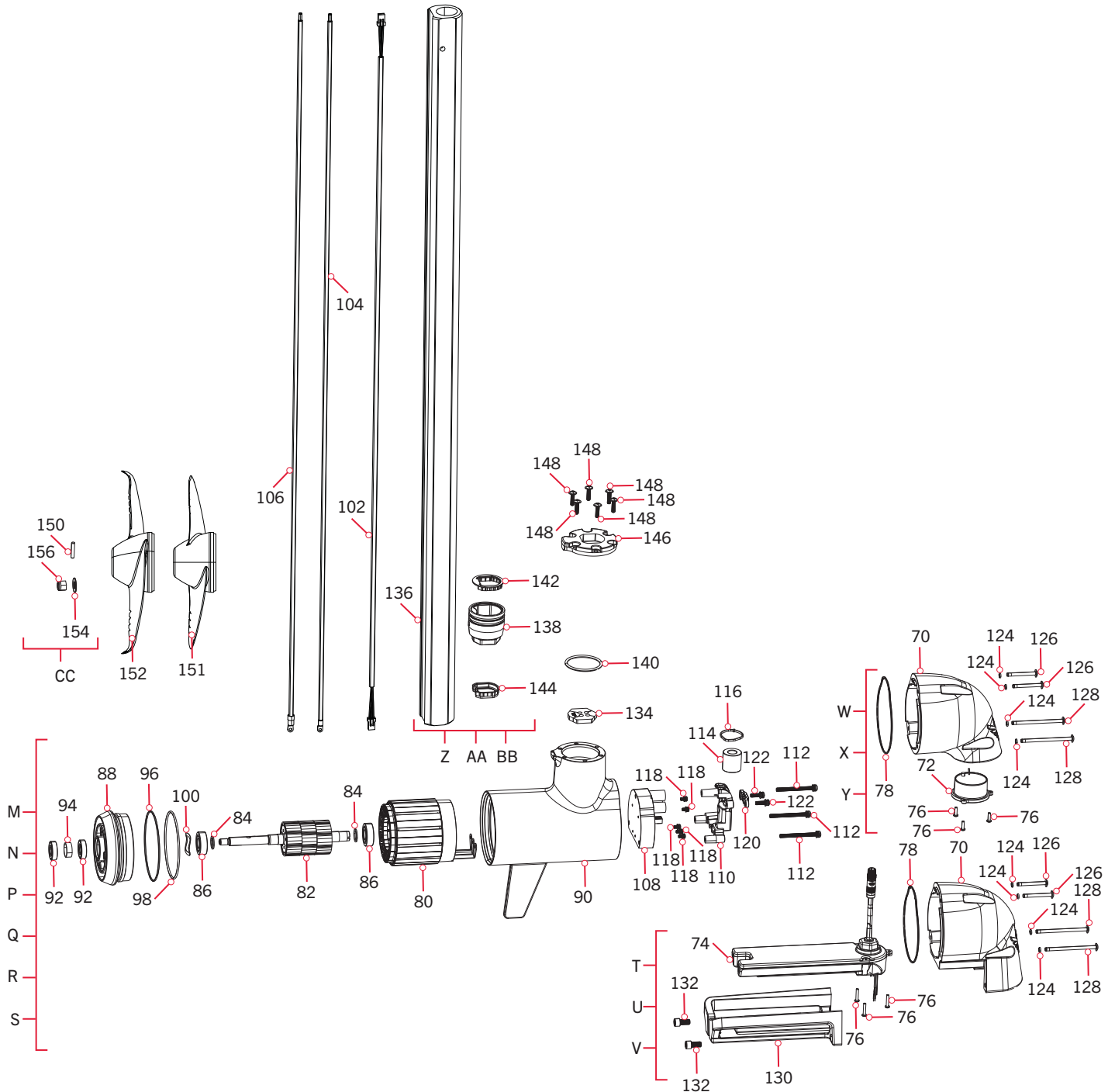
▲ Not shown on Parts Diagram.

✖ This part is included in an assembly and cannot be ordered individually.

PARTS DIAGRAM & PARTS LIST

ULTREX QUEST MOTOR

24/36 Volt 3.625" 90/115 Thrust Motor Parts Diagram



PARTS DIAGRAM & PARTS LIST

▶ 24/36 Volt 3.625" 90/115lb Thrust Motor Parts List

Assembly	Part #	Description	Notes	Quantity
M	2771060	MTR ASY 85/115#DSC FW BLK	*45" DSC*	1
N	2771061	MTR ASY 85/115#DSC FW BLK	*52" DSC*	1
P	2771062	MTR ASY 85/115#DSC FW BLK	*60" DSC*	1
Q	2771080	MTR ASY 85/115#MSI FW BLK	*45" MSI*	1
R	2771081	MTR ASY 85/115#MSI FW BLK	*52" MSI*	1
S	2771082	MTR ASY 85/115#MSI FW BLK	*60" MSI*	1
T	2773031	SC FRONT END 45" QUEST	*DSC* *45"*	1
U	2773032	DSC FRONT END 52" QUEST	*DSC* *52"*	1
V	2773033	DSC FRONT END 60" QUEST	*DSC* *60"*	1
W	2773072	MSI FRONT END 45" QUEST	*MSI* *45"*	1
X	2773073	MSI FRONT END 52" QUEST	*MSI* *52"*	1
Y	2773074	MSI FRONT END 60" QUEST	*MSI* *60"*	1
Z	2771064	BL ASM FW DSC/MSI 45"U2,T3	*SHAFT* *45"*	1
AA	2771061	BL ASM FW DSC/MSI 52" U2	*SHAFT* *52"*	1
BB	2771065	BL ASM FW DSC/MSI 60"U2,T3	*SHAFT* *60"*	1
CC	2772604	BAG ASSM, PROP HARDWARE		1
Item	Part #	Description	Notes	Quantity
70	✘	FRONT ENDBELL, US3, FW	*DSC*	1
	✘	FRONT ENDBELL, MSI, FW	*MSI*	1
72	✘	DSC XDUCER ASSY 62" HW T	*DSC* *45"*	1
	✘	DSC XDUCER ASSY 67" HW T	*DSC* *52"*	1
	✘	DSC XDUCER ASSY 73" HW T	*DSC* *60"*	1
74	✘	BUILT-IN MSI+ 67" for U2	*MSI* *45"*	1
	✘	BUILT-IN MSI+ 73" for U2	*MSI* *52"*	1
	✘	BUILT-IN MSI+ 79" for U2	*MSI* *60"*	1
76	✘	SCREW-#6-32 X 1/2" TORX PHSS		3
78	880-032	SEAL-FRONT, BL MOTORS		1
80	✘	STATOR ASSEMBLY		1
82	✘	ROTOR ASSEMBLY		1
84	✘	WASHER BEARING		2
86	✘	BALL BEARING		2
88	✘	REAR ENDBELL, FW PAINT		1
90	✘	CENTER HSG, FW PAINT		1
92	✘	SEAL		2
94	✘	PAPER TUBE - SEAL BORE		1
96	✘	O-RING		1
98	✘	O-RING		1
100	✘	WASHER-WAVE		1
102	195-030	CABLE-COM 22GA TWST PAIR 62.38	*45"*	1
	195-031	CABLE-COM 22GA TWST PAIR 69.13	*52"*	1
	195-032	CABLE-COM 22GA TWST PAIR 76.25	*60"*	1
104	640-470	LEADWIRE RED 8 AWG 64.88"	*45"*	1
	640-471	LEADWIRE RED 8 AWG 71.63"	*52"*	1
	640-472	LEADWIRE RED 8 AWG 78.75"	*60"*	1

▲ Not shown on Parts Diagram.

* This part is included in an assembly and cannot be ordered individually.

PARTS DIAGRAM & PARTS LIST



Item	Part #	Description	Notes	Quantity
106	640-420	LEADWIRE BLK 8 AWG 64.88	*45"	1
	640-421	LEADWIRE BLK 8 AWG 71.63"	*52"	1
	640-422	LEADWIRE BLK 8 AWG 78.75"	*60"	1
108	2994130	CONTROL BRD ASM, BL		1
110	979-029	STRAIN RELIEF, BTM MACH		1
112	830-118	SCREW-DBL SEM M5X.8MMX60MM		3
114	2307318	FERRITE BEAD, BRUSHLESS		1
116	9953310	TIE WRAP-8.5"		1
118	830-120	SCREW-M4X .7X8 PPH ZPS		5
120	979-022	STRAIN RELIEF, TOP CAST		1
122	830-121	SCREW-M5 X .8X18 PPH ZPS		2
124	701-010	O-RING, SCREW		4
126	830-105	SCREW-FRONT, TOP, RAW, BL MTR		2
128	830-106	SCREW-FRONT, BTM RAW, BL MTR		2
130	791-030	GUARD-SONAR, MSI, MACHINED	*MSI*	1
132	830-110	SCREW-5-16-18 X 5/8 SHCS SS	*MSI*	2
134	880-041	SEAL-WIRE, BL MTR, UNIV. CHIRP	*DSC*	1
	880-040	SEAL-WIRE, BL MTR, MSI/MDI	*MSI*	1
136	✘	TUBE-1CM, BLK 45", 1.5 X .875	*45"	1
	✘	TUBE-1CM, BLK 52", 1.5 X .875	*52"	1
	✘	TUBE-1CM, BLK 60", 1.5 X .875	*60"	1
138	✘	PLUG, COMP SHAFT, PAINTED		1
140	2294630	O-RING, 226, 70 SHORE A		1
142	✘	SEAL-TOP SHAFT, BL, CLR		1
144	✘	SEAL-LWR SHAFT, BL, CLR		1
146	2296432A	PLATE, CLAMP, PAINTED		1
148	830-013	SCREW-M5 X .8 FSHCS SS CTD		6
150	2262659	PIN-DRIVE 1" X 3/16" SS 17-4		1
151	2321170	PROP, POWER REAMED		1
152	2321162	PROP-WW2 BRUSHLESS MACHINE		1
154	2091701	WASHER-PROP (LARGE) MAX101		1
156	2093101	NUT-PROP,NYLOC,LG,MX101 3/8 SS		1

▲ Not shown on Parts Diagram.

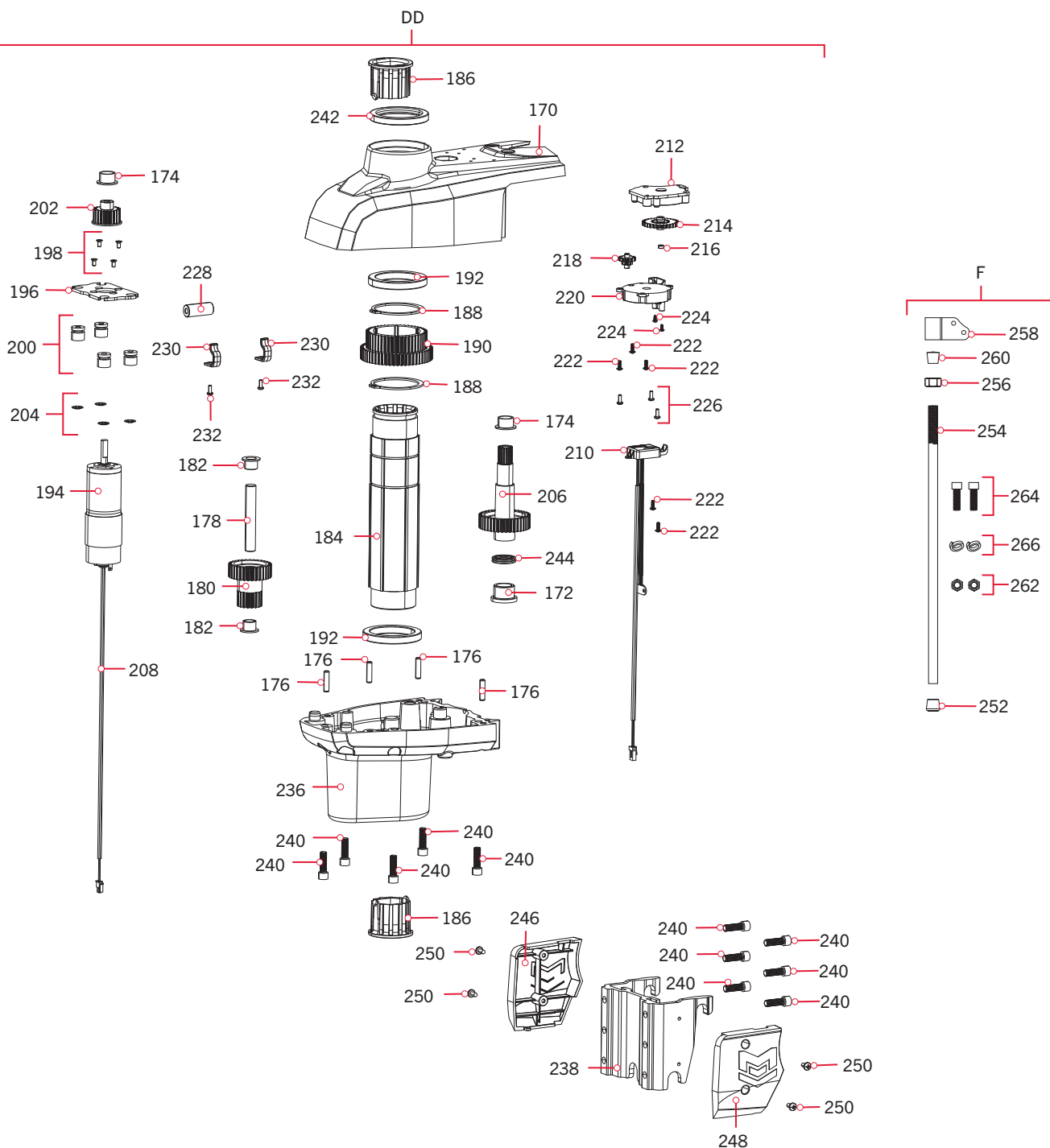
✘ This part is included in an assembly and cannot be ordered individually.



PARTS DIAGRAM & PARTS LIST

ULTREX QUEST STEERING HOUSING

Steering Housing Parts Diagram



PARTS DIAGRAM & PARTS LIST

› Steering Housing Parts List

Assembly	Part #	Description	Qty.
DD	2996508	STEERING MODULE ASSEMBLY	1
F	2991925	BRACKET STABLZR ARM ASY	1
Item	Part #	Description	Qty.
170	✘	HOUSING UPPER, PAINTED FW	1
172	✘	BUSHING-1216-12	1
174	✘	BUSHING-1012-08	2
176	✘	PIN-DOWEL, 1/4" X 1.0" SS	4
178	✘	PIN-MACH, 1/2 DIA. X 3 1/4" SS	1
180	✘	GEAR-CLUSTER 18T - 33T	1
182	✘	BUSHING, IDLER GEAR	2
184	✘	TUBE, STEERING, MACHINED, 1.5"	1
186	✘	BUSHING, OUTPUT TUBE, BTM	2
188	✘	RETAINING RING, 2 3/8"	2
190	✘	GEAR-CLUSTER 48T - 57T	1
192	✘	BEARING-RADIAL 6811 2RS	2
194	✘	MOTOR-DRIVE	1
196	✘	PLATE, MOTOR, ULTREX 2	1
198	✘	SCREW-M4 X 8MM, FHP, SS	4
200	✘	BUSHING, DAMPENING 57A	4
202	✘	GEAR-MOTOR 20T	1
204	✘	NUT-PUSH, 1/4" ZP	4
206	✘	GEAR-CABLE, WRAPDRUM	1
208	✘	WIRE HARNESS, MOTOR	1
210	✘	SENSOR, STEERING, ROTATIONAL, U	1
212	✘	BRACKET, STEERING SENSOR	1
214	✘	GEAR, STEERING SENSOR	1
216	✘	MAGNET, 1/4 X 1/8	1
218	✘	GEAR-CLUSTER, STEER. SENSOR	1
220	✘	COVER, STEERING SENSOR	1
222	✘	SCREW-#6-20 X 3/8 THD*(SS)	5
224	✘	SCREW-#4-24 X 1/4 PHCR SS TY B	2
226	✘	SCREW-#6 X .375 PLASTITE SS	3
228	✘	BEAD-FERRITE	1
230	✘	CLIP, CABLE ANCHOR	2
232	✘	SCREW-#6-20 X 3/8 THD*(SS)	2
▲	✘	TIE WRAP-8.5"	1
236	✘	HOUSING LOWER, PAINTED FW	1
238	2291931	MOUNT, STEERING MOD, MACH	1
240	2263423	SCREW-5/16-18 X 1" SHCS ZP	11
242	✘	SEAL, OUTPUT	1
244	✘	SEAL, QUAD RING, 3/4"	1
246	2293925	COVER, RIGHT SIDE, FW	1
248	2293920	COVER, LEFT SIDE, FW	1
250	2323409	SCREW-#10-24 X 3/8 PPH MACH SS	4
252	2265100	BUMPER STABILIZER	1

▲ Not shown on Parts Diagram.

✘ This part is included in an assembly and cannot be ordered individually.

PARTS DIAGRAM & PARTS LIST



Item	Part #	Description	Qty.
254	2263624	STABILIZER ROD	1
256	2263107	NYLON HEX NUT 3/4 - 10 UNC	1
258	2281929	BRACKET	1
260	2260221	VINYL CAP	1
262	2223100	NUT 5/16-18 NYLOCS SS	2
264	2263422	BOLT 5/16-18 X 1" SS	2
266	2281700	5/16 "ID X .457 OD HIGH COLLAR LOCK WASHER	2

▲ Not shown on Parts Diagram.

✘ This part is included in an assembly and cannot be ordered individually.



PARTS DIAGRAM & PARTS LIST

Foot Pedal Parts List

Assembly	Part #	Description	Notes	Quantity
FF	2992160	FOOT PEDAL w/BASE, 24/36V		1
GG	2771210	COIL CORD ASM UTX QUEST		1
HH	2774038	CTRL BRD KIT, MAIN, UTX QUEST		1
JJ	2771923	ULTREX FOOT PEDAL PLATE ASM		1
Item	Part #	Description	Notes	Quantity
280	2291911	BRACKET, CABLE ANCHOR		1
282	2297506	CABLE ASM, RIGHT (5')		1
284	2297516	CABLE ASM, LEFT (5')		1
286	2291210	COIL CORD ASM, ULTREX 2		1
288	2297412	WIRE HARNESS, STR.SENSOR, LONG		1
290	2297411	WIRE HARNESS, MOTOR, LONG		1
292	2295411	CABLE JACKET, NOTCHED		1
294	2295120	BOOT, FOOT PEDAL BASE		1
296	2263210	BRACKET-CONDUIT ADJUSTMEN[B060		1
298	2263466	SCREW-1/4-20 X 2" PPH SS/REI		1
300	2256300	TIE WRAP-6.0" BLACK [D080		3
302	2266413	TENSION SCREW PLATE FTPEDAL		1
304	2263140	KEEPER-NYLOCK		1
306	2261714	WASHER-MAXXUM FT PDL 18/8 SS		2
308	2994505	BASE w/PIN, FOOT PEDAL, BL		1
310	2294011	SWITCH-POWER w/WIRES		1
312	2293710	BUTTON-PROP, FOOT PEDAL		1
314	2993715	ARM-SENSOR, PROP w/MAGNET		1
316	2292700	SPRING, BUTTON, FOOT PEDAL		4
318	2293720	BUTTON-SL, FOOT PEDAL		1
320	2993725	ARM-SENSOR, SL w/MAGNET		1
322	2293700	BUTTON, OBN, FOOT PEDAL		1
324	2993735	ARM-SENSOR, AP w/MAGNET		1
326	2994451	FOOT PEDAL w/MAGNET, ULTREX		1
328	2294027	CONTROL BRD,SENSOR BRD (SUB)		1
330	2332103	SCREW-#6-20 X 3/8 THD*(SS)		4
332	2052510	CABLE CLAMP, 3/16", NYLON		1
334	2290840	P-CLIP, ULTREX FOOT PEDAL		1
336	2301310	SCREW-#8-18 X 1/2 (SS)*		2
338	2290100	KNOB-SPEED CONTROL		1
340	3391722	WASHER-FLAT 7/16 SAE		1
342	2263000	E-RING TRU-ARC#5133-43 [A090		1
344	2294400	LOWER-ROCKER, FOOT PEDAL		1
346	2294430	BACKER, CARRIER		1
348	2294420	CARRIER, ACTUATOR		1
350	2293401	SCREW-1/4-20 X 1/2 SET, 316 SS		1
352	2294410	ACTUATOR-SENSOR, DIA. .375 MAX		2
354	2260511	PIN-PIVOT A/T FT PDL		1
356	2262301	PULLEY (FOOT PEDAL)		1
358	2266401	COVER-PULLEY (STAMPING)		1

▲ Not shown on Parts Diagram.

* This part is included in an assembly and cannot be ordered individually.

PARTS DIAGRAM & PARTS LIST



Item	Part #	Description	Notes	Quantity
360	2373450	SCREW-#8-18 X 3/8" THRD.CUT SS		2
362	2294035	CONTROL BOARD ASM, ULTREX 2		1
364	830-122	SCREW-M4X .7X8MM SCKT DBL		4
366	2298800	LOOM-WIRE, 1/4 X 4"		1
368	2223430	SCREW-#8x3/4 PPH,TYPE 25,SS		1
370	2290625	LEADWIRE ASM,8AWG,UTX 2 (DPLX)		1
372	9953310	TIE-WRAP-8.5"		1
374	2291920	PLATE-BOTTOM		1
376	2365107	INSULATING PAD(2.3 X 3.2)		1
378	2223455	SCREW-#10-32 X 1/2" ZP MACHINE		2
380	2372100	SCREW-#8-18 X 5/8 THD* (SS		17
382	2993705	PUSH BTTN/MAGNET ASSY (SUB)		1
384	2260810	CLIP, REED SENSOR		1
386	2302732	SPRING-LOWER PEDAL S/S (A120		1
388	2373440	SCREW-#4-24 X 1/4 PHCR SS TY B		4
390	2295627	DECAL, INDICATOR LIGHTS		1
392	2265126	BUMPER PAD, FOOT PEDAL (N156)		4
394	2378600	RIVET-POP,3/16 X 3/4 ALUM.SHNK		4
396	2296545	HOUSING, CABLE BOTTOM		1
398	2323406	SCREW-#10-24 X .50 CRPH SS		3
400	2292930	RETAINER, COIL CORD		1
402	2293450	SCREW-#6-19 X 1.0 PPH HI-LO		12
404	2297900	WRAP DRUM, ULTREX 2		1
406	2296540	HOUSING, CABLE TOP		1
408	2290846	CLIP, CABLE ANCHOR		2
410	2040340	CONNECTOR, SCOTCHLOK, UY2		2

▲ Not shown on Parts Diagram.

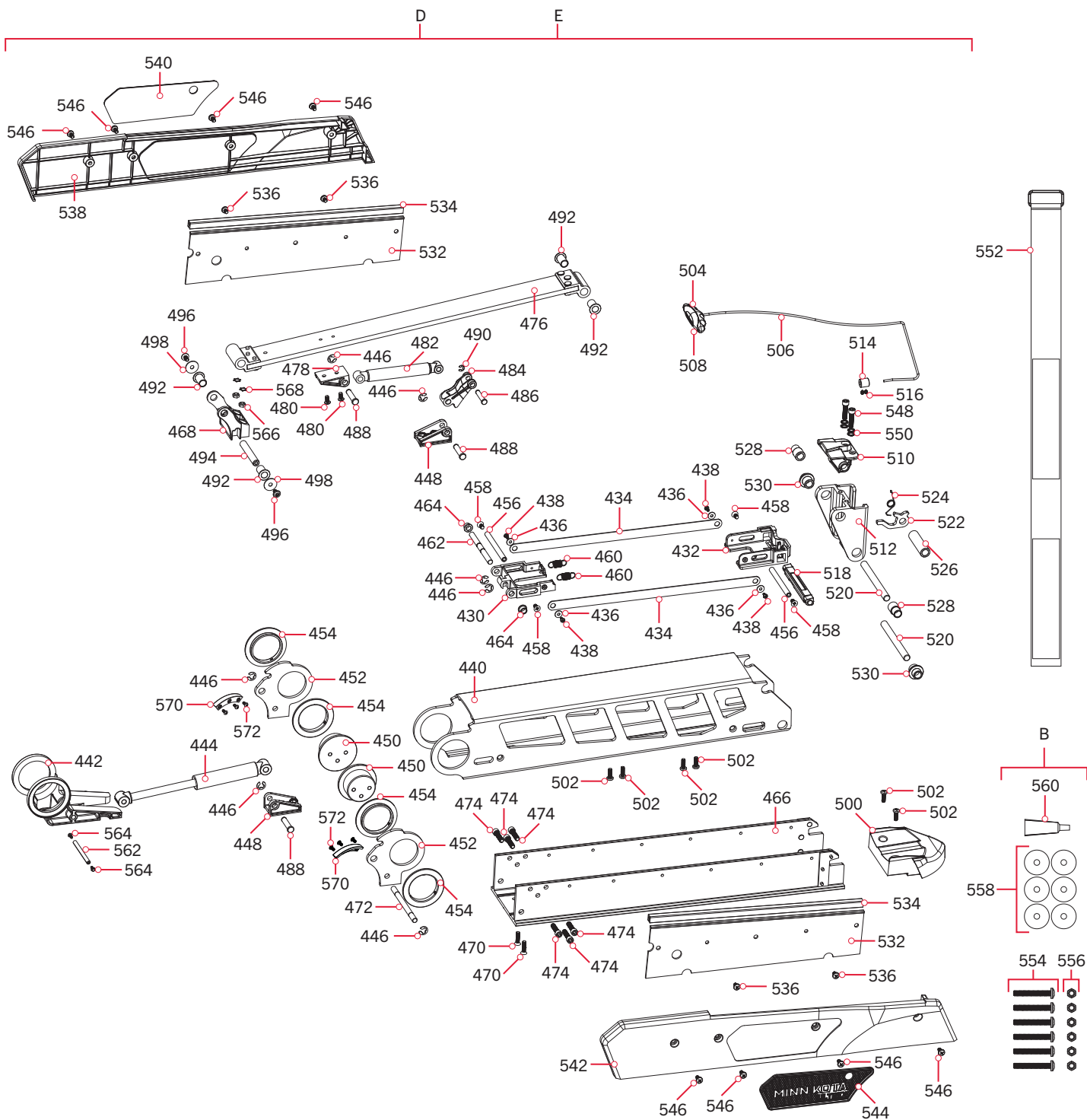
✘ This part is included in an assembly and cannot be ordered individually.



PARTS DIAGRAM & PARTS LIST

ULTREX QUEST MOUNT

Mount Parts Diagram



PARTS DIAGRAM & PARTS LIST

Mount Parts List

Assembly	Part #	Description	Notes	Quantity
D	2771665	MOUNT ASSEMBLY, UTX QUEST STD	*45**	1
E	2771666	MOUNT ASSEMBLY UTX QUEST LONG	*52** *60**	1
B	2994947	BAG ASM,ULTREX 2 HARDWARE		1
Item	Part #	Description	Notes	Quantity
430	2298620	CARRIER, REAR RELEASE		1
432	2291955	BRACKET, LATCH		1
434	2283602	LATCH STRAP, SHORT, SS	*45**	2
	2283603	LATCH STRAP, LONG	*52** *60**	2
436	2261732	WASHER-#8, NYLON BLACK		4
438	2373450	SCREW-#8-18 X 3/8" THRD.CUT SS		4
440	2294212	ARM-OUTER, SHORT, ANDZ	*45**	1
	2294222	ARM-OUTER, LONG, ANDZ	*52** *60**	1
442	2291520	YOKE, CYLINDER MOUNT		1
444	2298400	GAS SPRING	*45**	1
	2298402	GAS SPRING	*52** *60**	1
446	2263011	E-RING 3/8 DIA. SHAFT*		7
448	2991662	MNT ASM, GAS SPRING, OUTR ARM 1		2
450	2293300	PIVOT, REAR		2
452	2291950	BRACKET, LATCH REAR		2
454	2297322	BUSHING, REAR PIVOT		4
456	2292616	PIN, MOUNT, SS		2
458	2283410	SCREW-1/4-20 X .500" PFH		4
460	2292710	SPRING, RELEASE, SS		2
462	2292622	PIN, REAR LOCK, SS		1
464	2297301	BUSHING, LATCH		2
466	2991663	BASE ASM, ULTREX, FW, SHORT	*45**	1
	2991664	BASE ASM, ULTREX, FW, LONG	*52** *60**	1
468	2291725	SPACER, REAR LOCK		1
470	2283411	SCREW-1/4-20X1.00 FHS RIE TORX		2
472	2292620	PIN, REAR CARRIER, SS		1
474	2293402	SCREW-5/16-18, SHCS, RIE,STEEL		6
476	2994340	INNER ARM ASSEMBLY, SHORT, FW	*45**	1
	2994345	INNER ARM ASSEMBLY, LONG, FW	*52** *60**	1
478	2291961	MOUNT, GAS SPRING, INNER ARM		1
480	2223418	SCREW-1/4-20X 1/2 SS BHCS		2
482	2298405	GAS SPRING, DEPLOY		1
484	2297910	CAM, CYLINDER MOUNT		1
486	2292631	PIN-CLEVIS, 5/16, ZP		1
488	2292630	PIN-CLEVIS, 3/8, ZP		3
490	2263006	E-RING,5/16,S/S GAS ASSIST		1
492	2297323	BUSHING, INNER ARM		4
494	2292621	PIN, REAR LATCH, SS		1
496	2353403	SCREW-1/4-20 FLANGED BTTN HEAD		2
498	2261713	WASHER-1/4 FLAT 18-8 SS		2
500	2993900	MOTOR RAMP/MAGNET ASSEMBLY		1
502	2373434	SCREW-1/4-20 X 3/4 SS PPMS		6

▲ Not shown on Parts Diagram.

✱ This part is included in an assembly and cannot be ordered individually.

PARTS DIAGRAM & PARTS LIST



Item	Part #	Description	Notes	Quantity
504	2280405	PULL GRIP, SOFT, BOTTOM (SUB)		1
506	2291400	CABLE, PULL HANDLE, SS		1
508	2280401	PULL GRIP,SFT, TOP,FTX,UTX(SUB)		1
510	2292320	ROPE GUIDE		1
512	2292311	ROPE GUIDE, MACHINED		1
514	2290800	CLAMP, PULL CABLE (SUB)		1
516	2293404	SCREW-SET-#8X 5/16,POINTED,SS		2
518	2993611	LATCH BAR ASSEMBLY		1
520	2292605	PIN-PIVOT FRONT, SS		2
522	2293621	SAFETY LATCH		1
524	2292720	SPRING, TORSION, SS		1
526	2292301	PULLEY, LIFT CABLE		1
528	2297325	BUSHING,PIVOT PIN FRONT		2
530	2297324	BUSHING, PIVOT FRONT		2
532	2283631	RAIL, MACH., MOTOR REST		2
534	2286400	COVER-RAIL, MOTOR REST (SUB)		2
536	2323403	SCREW-1/4-20 X.375 MCH SS CRPH		4
538	2293910	SIDEPLATE, LEFT, SHORT,FW	*45**	1
	2293911	SIDEPLATE, LEFT, LONG, FW	*52** *60**	1
540	2295541	DECAL, SIDEPLATE LEFT FW		1
542	2293915	SIDEPLATE, RIGHT,SHORT,FW	*45**	1
	2293916	SIDEPLATE, RIGHT, LONG,FW	*52** *60**	1
544	2295540	DECAL, SIDEPLATE RIGHT FW		1
546	2323405	SCREW-1/4-20 X 1/2" MCH SS		8
548	2293412	SCREW-5/16-18 X 2.25 SHCS, RIE		2
550	2291700	WASHER-5/16, M8 WEDGE LCK		2
▲	2295801	HANG TAG, ULTREX 2		1
▲	2285803	HANG TAG, WARNING, FORTREX		1
▲	2006819	LABEL-CARTON "CAUTION HEAVY"		1
▲	2006522	LABEL, PROP 65 WARNING LG DI2		1
▲	2285801	HANG TAG, HOOK AND LOOP STRAP		1
▲	2015800	HANG TAG "CAUTION..TILT HINGE"		1
552	2263806	STRAP-HLD DWN,33",HOOK&LP		1
554	2293406	SCREW-5/16-18X2.25"PPH SS		6
556	2223100	NUT-5/16-18 NYLOCK S/S		6
558	2291701	WASHER-5/16 X 1.5 FLAT SS		6
560	2378608	ANTI SEIZE TUBE, 4CC, TALON		1
562	2292619	PIN, UPPER SHOCK		1
564	2293408	SCREW - #8-32X.375 FLNG HEX HEAD SS		2
▲	2292005	TUBE-PAPER, LA CYLINDER		1
566	2073100	NUT-HEX 1/4-20 NYLOC-JAM SS		2
568	3394722	INSERT, PUSH ON		2
570	2291954	LATCH WEAR RAMP		2
572	2293409	SCREW-M4 X 8MM, BHSS, SS		6

▲ Not shown on Parts Diagram.

✘ This part is included in an assembly and cannot be ordered individually.

