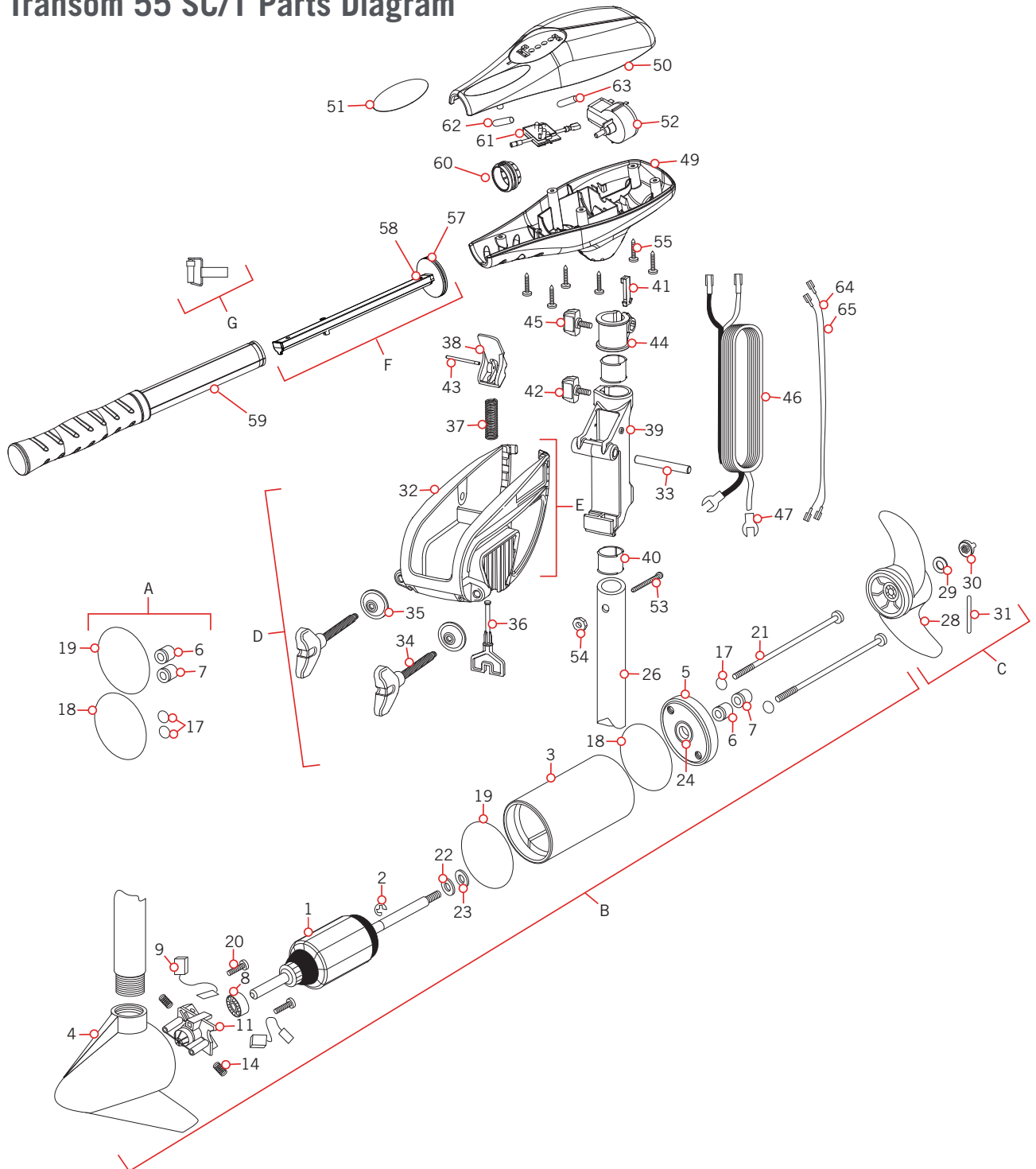


PARTS DIAGRAM & PARTS LIST

RIPTIDE TRANSM 55 SC/T - 55 LBS THRUST - 12 VOLT - 42" SHAFT

This page provides Minn Kota® WEEE compliance disassembly instructions. For more information about where you should dispose of your waste equipment for recycling and recovery and/or your European Union member state requirements, please contact your dealer or distributor from which your product was purchased. Tools required, but not limited to: flat head screw driver, Phillips screw driver, socket set, pliers, wire cutters.

› Riptide Transom 55 SC/T Parts Diagram



PARTS DIAGRAM & PARTS LIST

› Riptide Transom 55 SC/T Parts List

Assembly	Part #	Description	Quantity
A	2883460	SEAL AND O-RING KIT	1
B	2097079	MOTOR ASSEMBLY 12 V 3.62 5SP SW	1
C	1378170	PROPELLER KIT	1
D	2771816	BRACKET & HINGE ASSEMBLY	1
E	2771913	BRACKET ASSEMBLY	1
F	2990919	INNER HANDLE ASSEMBLY	1
G	2882726	BALL DETENT RTNR SPRING ASM KIT	1
Item	Part #	Description	Quantity
1	2-100-117	ARMATURE ASSEMBLY 12V 3.62	1
2	788-015	RETAINING RING	1
3	2-200-301	HOUSING ASSEMBLY CENTER 3.62 SW	1
4	2-300-337	BRUSH END HOUSING ASSEMBLY 3.62 SP.CO	1
5	2-400-337	PLAIN END HOUSING ASSEMBLY 3.62	1
6	880-003	SEAL	1
7	880-006	SEAL W/SHIELD	1
8	140-010	BALL BEARING	1
9	188-036	BRUSH ASSEMBLY	2
11	738-036	BRUSH PLATE W/HOLDER 3.62	1
14	975-040	TORSION SPRING	2
17	701-008	O-RING — THRU BOLT	2
18	701-081	O-RING	1
19	337-036	GASKET	1
20	830-007	SCREW — SELF THREAD #8-32	2
21	830-042	THRU BOLT #10-32 X 8.83	2
22	990-067	WASHER — STEEL THRUST	1
23	990-070	WASHER — NYLATRON	1
24	144-049	FLANGE BEARING (SERVICE ONLY)	1
26	2002022	42" COMPOSITE TUBE	1
28	✘	PROPELLER 3.62 HUB DIA	1
29	✘	WASHER — 5/16 STD SS	1
30	✘	ZINC ANODE	1
31	✘	DRIVE PIN	1
32	✘	BRACKET	1
33	2060511	HINGE PIN	1
34	✘	SCREW — CLAMP	2
35	✘	WASHER — CLAMP SCREW	2
36	2063605	PLASTIC T-BAR	1

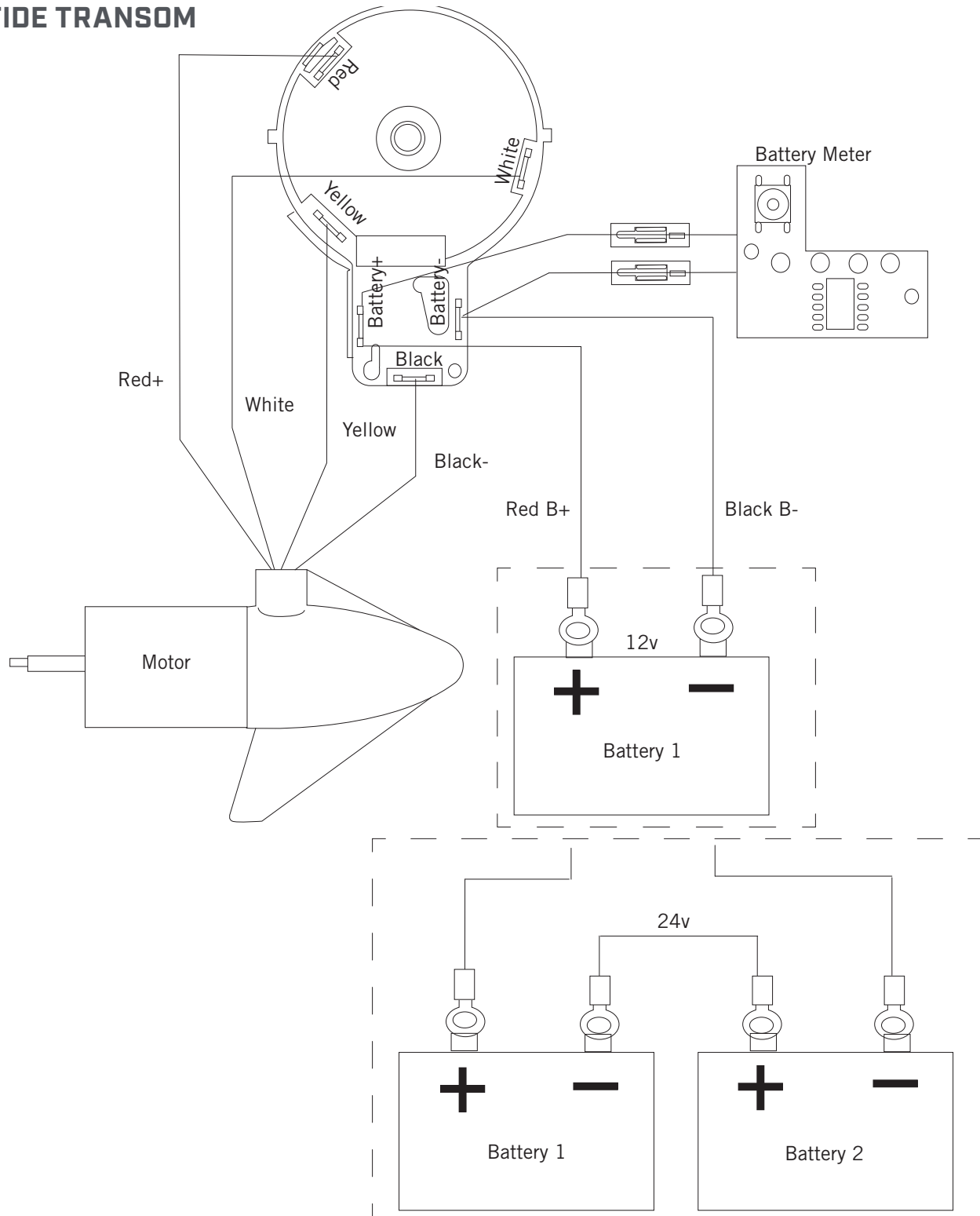
Item	Part #	Description	Quantity
37	2062706	T-BAR SPRING	1
38	2067201	TILT BLACK LEVER	1
39	2061810	PLASTIC HINGE	1
40	2037301	HINGE BUSHING	2
41	2062800	SNAP-IN TENSION BLOCK	1
42	2011386	TENSION KNOB SCREW	1
43	2060516	TILT LEVER PIN	1
44	2061520	DEPTH COLLAR	1
45	2011366	COLLAR SCREW	1
46	20206321	LEADWIRE (10 GA) FLAG/PIGGYBACK	1
47	2880703	SPADE TERMINAL 14GA HD	2
49	2062517	CONTROL BOX WHITE	1
50	2060224	CONTROL BOX COVER WHITE	1
51	2065642	DECAL COVER RIPTIDE 55	1
52	2064028	SWITCH — FWD/REV 5 SP	1
53	2033403	SCREW — #10-24 X 1-3/4	1
54	2333101	NUT — #10-24 HEX	1
55	2372100	SCREW — #8-18 X 5/8	6
57	2060405	HANDLE PIVOT	1
58	2012104	SCREW — #6 X 1/2" SS	1
59	2990460	OUTER HANDLE ASSEMBLY	1
60	2060009	FRONT BEARING	1
61	2074080	BATTERY METER 12V	1
62	2305415	SHRINK TUBE	1
63	2305410	SHRINK TUBE	1
64	640-006	LEADWIRE BLACK	1
65	640-115	LEADWIRE RED	1

✘ This part is included in an assembly and cannot be ordered individually.

▲ Not shown on Parts Diagram.

MOTOR WIRING DIAGRAM

RIPTIDE TRANSOM



NOTICE: This is a multi-voltage diagram. Double-check your motor's voltage for proper connections. Over-Current Protection Devices are not shown in this illustration.