

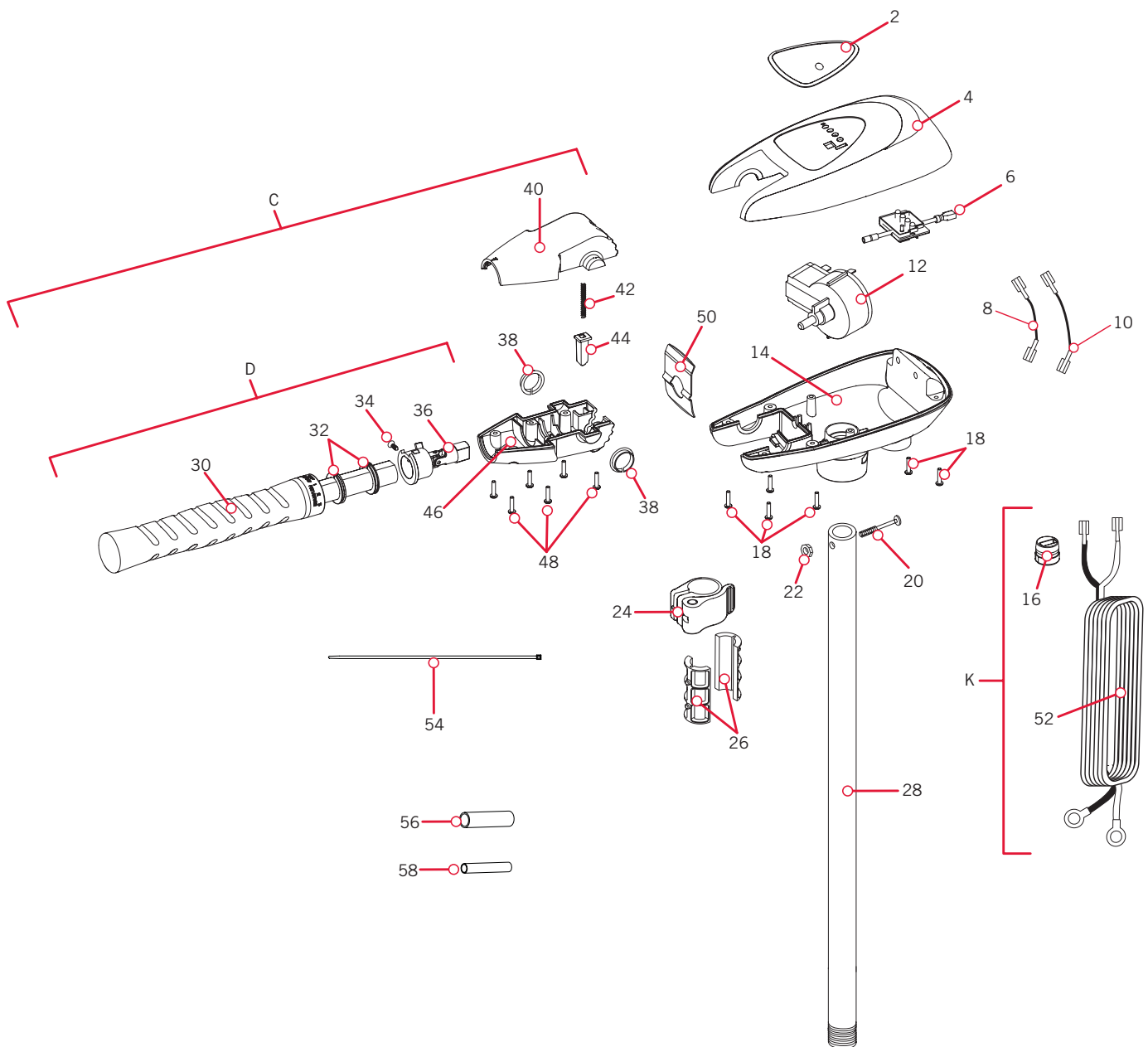
PARTS DIAGRAM & PARTS LIST

RIPTIDE MAXXUM 70/SC LATCH & DOOR - 70 LBS THRUST - 24 VOLT - 52" SHAFT

The parts diagram and parts list provides Minn Kota® WEEE compliance disassembly instructions. For more information about where you should dispose of your waste equipment for recycling and recovery and/or your European Union member state requirements, please contact your dealer or distributor from which your product was purchased. Tools required, but not limited to: flat head screwdriver, Phillips screwdriver, socket set, pliers, wire cutters.

RIPTIDE MAXXUM 70 CONTROL HEAD >

> Control Head Parts Diagram



PARTS DIAGRAM & PARTS LIST



› Control Head Parts List

Assembly	Part #	Description	Quantity
C	2990467	HANDLE ASM, 5-3 SPD, FW/SW	1
D	2990465	HANDLE ASM, 5-3 SPEED, TRAXXIS	1
K	2992522	LEADWIRE ASSY-HC BOW S/C 96"	1
Item	Part #	Description	Quantity
2	2195665	DECAL-COVER, RT70/SM/SC/HC	1
4	2060299	COVER CONTROL BOX TRAXXIS SW	1
6	2074081	BATTERY METER, 24V, SW	1
8	2070304	WIRE,BATTERY METER,BLK 7" 20GA	1
10	2070305	WIRE,BATTERY METER,RED 7" 20GA	1
12	2064028	SWITCH,5 SPD FORWARD,3 REVERSE	1
14	2062506	CONTROL BOX, SC, SW	1
16	2062905	STRAIN RELIEF,HEYCO 1876	1
18	2303412	SCREW-#6-20 X 5/8 SELF TAP	6
20	2033403	SCREW-#10-24 X 1-3/4 PPH SS	1
22	2333101	NUT-HEX #10-24 UNC-2B NYL SS	1
24	2991521	CAM LOCK/DEPTH COLLAR ASY	1
26	2151532	HINGE-SLEEVE HALF-AT	2
28	2002014	TUBE (COMPOSITE) 52" WHITE	1
30	2060465	GRIP-HANDLE, RAW, TRAXXIS	1
32	2060015	BEARING, HANDLE 2990455	2
34	2063405	SCREW-#6 X 1/2" PFH SS TY AB	1
36	2994091	YOKE ASSEMBLY,5-SPEED	1
38	2060005	BEARING-HANDLE PIVOT	2
40	2060900	PIVOT HANDLE, TOP	1
42	2302745	SPRING-RELEASE BUTTON (SS	1
44	2063700	BUTTON-RELEASE	1
46	2060905	PIVOT HANDLE, BTM	1
48	2303412	SCREW-#6-20 X 5/8 SELF TAP	6
50	2062715	SPRING, DETENT, HANDLE TILT	1
52	2090653	LEADWIRE (10 GA) TRAXXIS/HC	1
54	2186300	TIE WRAP,11.5",TEMP -40 TO 180	1
56	2305415	SHRINK TUBE-.472 ID X 2.25"	1
58	2305410	SHRINK TUBE-.315 OD X 2.25"	1
▲	2197117	MANUAL-RT/SM	1
▲	2194951	PARTS LIST-RT70/SM/SC/L&D	1
▲	2015800	HANG TAG "CAUTION..TILT HINGE"	1
▲	2015801	HANG TAG - "CAUTION HG/DR"	1

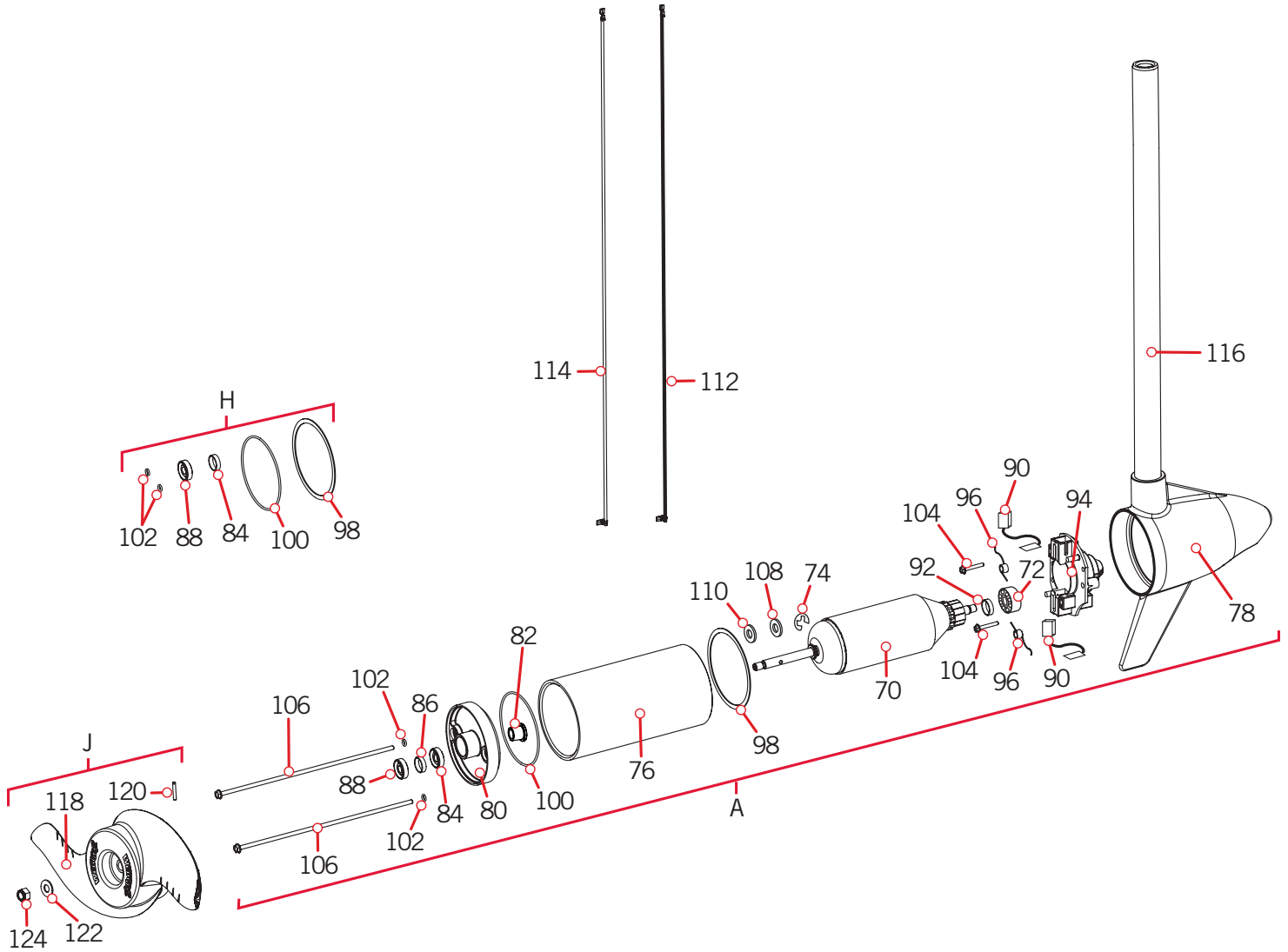
▲ Not shown on Parts Diagram.

✳ This part is included in an assembly and cannot be ordered individually.



RIPTIDE MAXXUM 70 MOTOR

Motor Parts Diagram



PARTS DIAGRAM & PARTS LIST

Motor Parts List

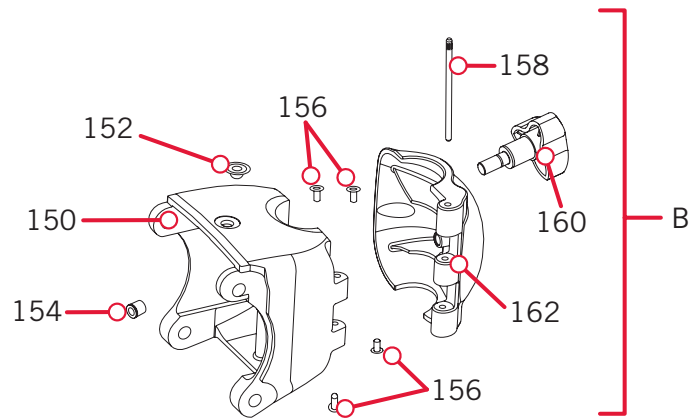
Assembly	Part #	Description	Quantity
A	2096066	MTR ASY 24V 3.62 SC 70#SW	1
H	2888460	SEAL & O-RING KIT TURBO PRO	1
J	1378131	PROP IND 2091160 WDLS WDG II	1
Item	Part #	Description	Quantity
70	2-100-128	ARMATURE ASM 24V 3.62",70	1
72	140-010	BEARING - BALL	1
74	788-015	RETAINING RING	1
76	2-200-307	CTR HSG ASM 3.6" SW MAGNETIZED	1
78	2-300-338M	BRUSH END ASY 24V 3.625 SPCOIL	1
80	2-400-337A	PLAIN END HSG ASY 3.6 TX/W	1
82	144-049	BEARING - FLANGE	1
84	880-003	SEAL	1
86	725-035	PAPER TUBE - SEAL BORE	1
88	880-006	SEAL WITH SHIELD	1
90	188-038	BRUSH ASSEMBLY, 3.625", 70#	2
92	725-049	PAPER TUBE - BRUSH RETENTION	1
94	9-738-038	BRUSH PLATE, 3.625", 70#	1
96	975-042	SPRING-TORSION, 70# LOWER UNIT	2
98	337-036	GASKET	1
100	701-081	O-RING	1
102	701-008	O-RING *THRU-BOLT*	2
104	830-007	SCREW, # 8-32	2
106	830-008	THRU BOLT 10-32 x 9.205	2
108	990-067	WASHER - STEEL THRUST	1
110	990-070	WASHER - NYLATRON	1
112	640-023	LEADWIRE BLK 10 AWG 69" GPT	1
114	640-129	LEADWIRE RED 10 AWG 71" GPT	1
116	2002014	TUBE (COMPOSITE) 52" WHITE	1
118	2091160	PROP-WW2 (3 5/8") REAMED	1
120	2092600	PIN-DRIVE 1.06" LG (SS)	1
122	2151726	WASHER-5/16 STD (S/S)	1
124	2053101	NUT-PROP,NYLOC (MED) 5/16 SS	1
▲	✘	RIVET-.25"	4

▲ Not shown on Parts Diagram.

✘ This part is included in an assembly and cannot be ordered individually.

RIPTIDE MAXXUM 70 HINGE BASE >

> Hinge Base Parts Diagram



PARTS DIAGRAM & PARTS LIST



› Hinge Base Parts List

Assembly	Part #	Description	Quantity
B	2991808	HINGE BASE ASSY,SW,WHT	1
Item	Part #	Description	Quantity
140	2991782	HINGE BASE W/BUSHINGS SW	1
142	2262315	EYELET-ROPE,STAINLESS STEEL	1
144	2264706	INSERT-HINGE BASE(STD MT)	1
146	2236001	BEARING NYLINER ID .188 X .220	4
148	2262642	PIN-HINGE DOOR, RT HNG/DOOR	1
150	2260902	KNOB-SOFT GRIP	1
152	2261859	HINGE DOOR, SW TXT WHITE	1

▲ Not shown on Parts Diagram.

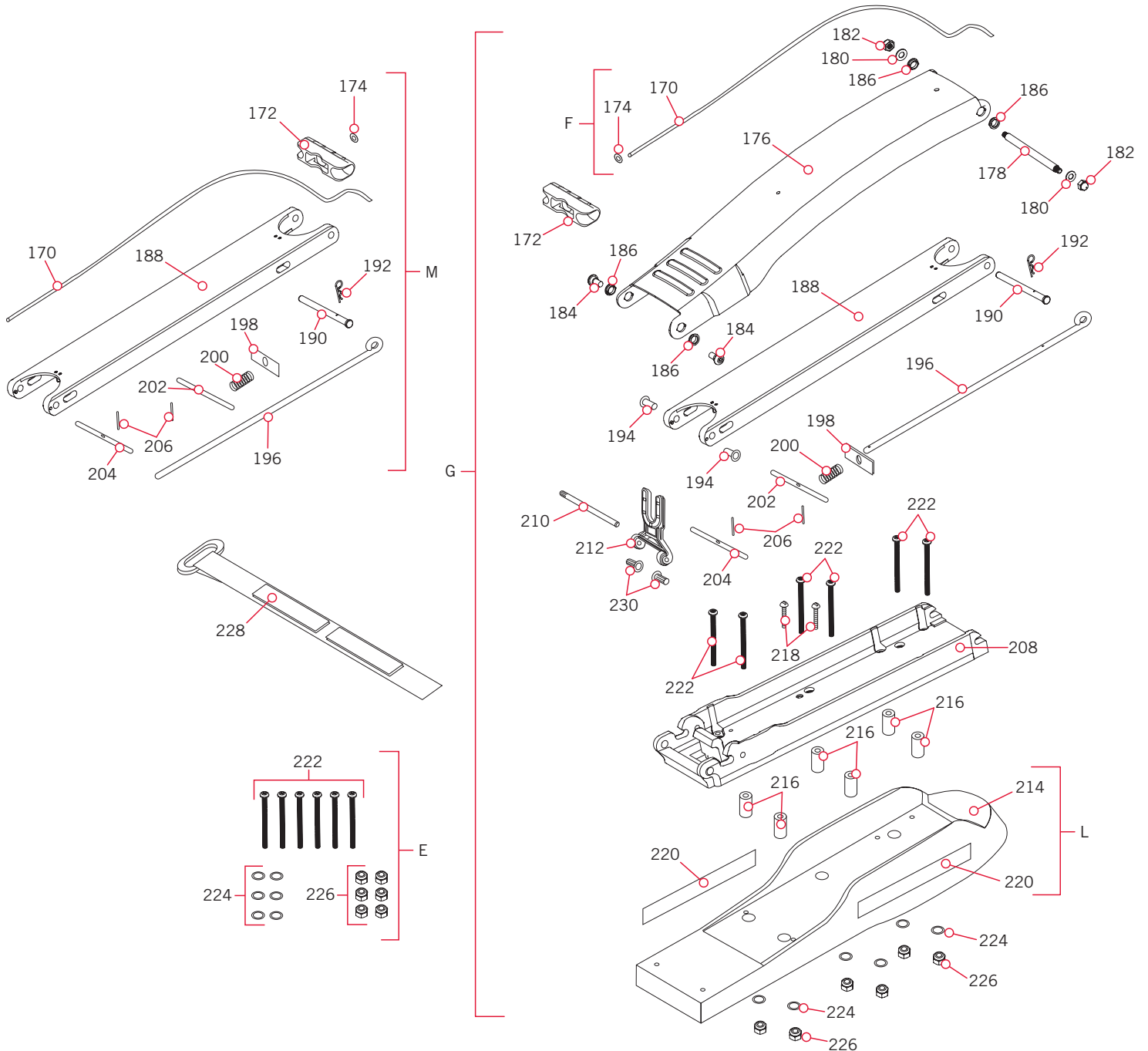
✘ This part is included in an assembly and cannot be ordered individually.



PARTS DIAGRAM & PARTS LIST

RIPTIDE MAXXUM 70 MOUNT

Mount Parts Diagram



PARTS DIAGRAM & PARTS LIST

Mount Parts List

Assembly	Part #	Description	Quantity
E	2994830	BAG ASSY-MAXXUM	1
F	2994886	BAG ASSY, PULL GRIP/WASHER	1
G	2991660	MNT ASM MAXXUM SW STD	1
L	2999280	MTR REST ASM MAXXUM SW STD	1
M	2774322	ARM-LOWER ASY,STD,SW,WHT,SERV.	1
Item	Part #	Description	Quantity
170	2251601	ROPE (44.5"), MAXXUM MNT	1
172	2150400	PULL-GRIP	1
174	2151700	WASHER-EYE SHAFT(.562 OD) SS	1
176	2264244	ARM-UPPER STD.SW,TX,WHT,ALUM.	1
178	2262604	PIN-BWGRD,UPPER,THREADED,SS	1
180	2261722	WASHER-FLAT 5/16 S/S	2
182	2223100	NUT-5/16-18 NYLOCK S/S	2
184	2263500	BOLT, SHOULDER (MAXXUM)	2
186	2293501	BUSHING, STAINLESS STEEL	4
188	2994351	ARM-LOWER ASSY,STD,SW	1
190	2262622	PIN-CLEVIS,SS,MAXXUM BWGRD	1
192	2263011	E-RING 3/8 DIA. SHAFT*	1
194	2267318	BUSHING,FLANGE,5/16 #5L7-F-642	2
196	2153603	EYE SHAFT-2LOCKBAR STD SS	1
198	2262703	SPRING STOP MAXXUM	1
200	2152701	SPRING-(LOCKBAR) SS	1
202	2233621	LOCK BAR (300 SERIES SS)	1
204	2233623	LOCK BAR, REAR, 300 SERIES SS	1
206	2152612	SPRING-PIN (LOCKBAR) 18-8 SS	2
208	2993983	BWPLT/INSRT ASY,STD,SW-WHT	1
210	2260505	PIN-HINGE(HEADLESS) S/S	1
212	2293811	YOKE,MAX MNT-POLYPROPYLENE	1
214	2263917	MOTOR REST STD RIPTIDE WHT	1
216	2261505	SPACER, MOTOR REST	6
218	2263434	SCREW-#8-18 X 1" PPH S/S	2
220	2265708	DECAL, MOTOR REST RT MAXXUM SW	2
222	2263431	SCREW-1/4-20 X 3.5 PPH	6
224	2261713	WASHER-1/4 FLAT 18-8 SS	6
226	2263103	NUT-1/4-20 NYLOCK SS	6
228	2263804	STRAP-HOLD DWN,30.5",VLCR	1

▲ Not shown on Parts Diagram.

* This part is included in an assembly and cannot be ordered individually.

PARTS DIAGRAM & PARTS LIST



Item	Part #	Description	Quantity
230	2261540	INSERT-THREADED,BOWPLT,MAX	2
▲	2285801	HANG TAG, HOOK AND LOOP STRAP	1
▲	2006819	LABEL-CARTON "CAUTION HEAVY"	1

▲ Not shown on Parts Diagram.

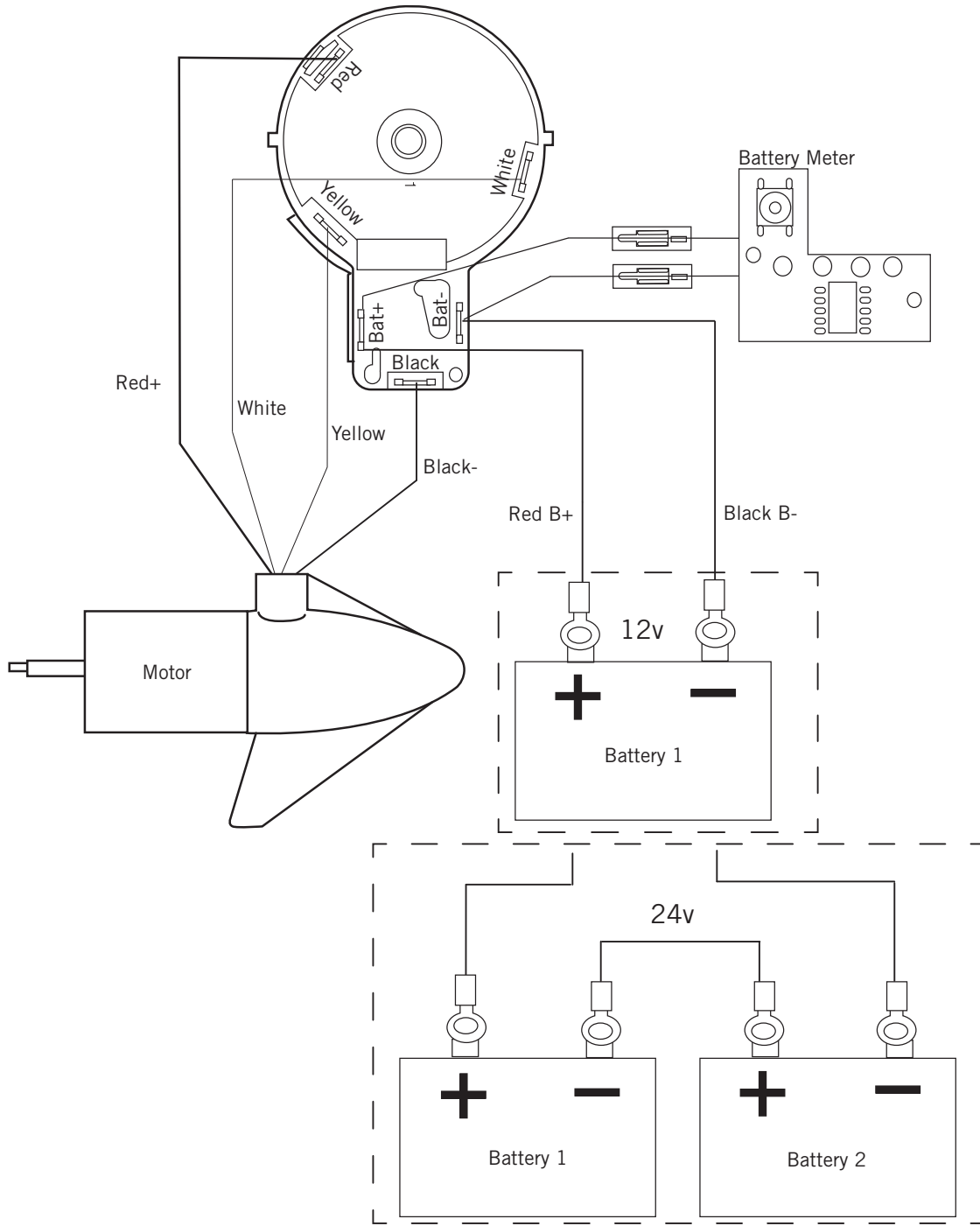
✘ This part is included in an assembly and cannot be ordered individually.



MOTOR WIRING DIAGRAM

RIPTIDE MAXXUM 5-SPEED SWITCH

The following Motor Wiring Diagram applies to all Riptide Maxxum Foot Control models that come factory installed with a Five-Speed Switch.



NOTICE: This is a multi-voltage diagram. Double-check your motor's voltage for proper connections. Over-Current Protection Devices are not shown in this illustration.