

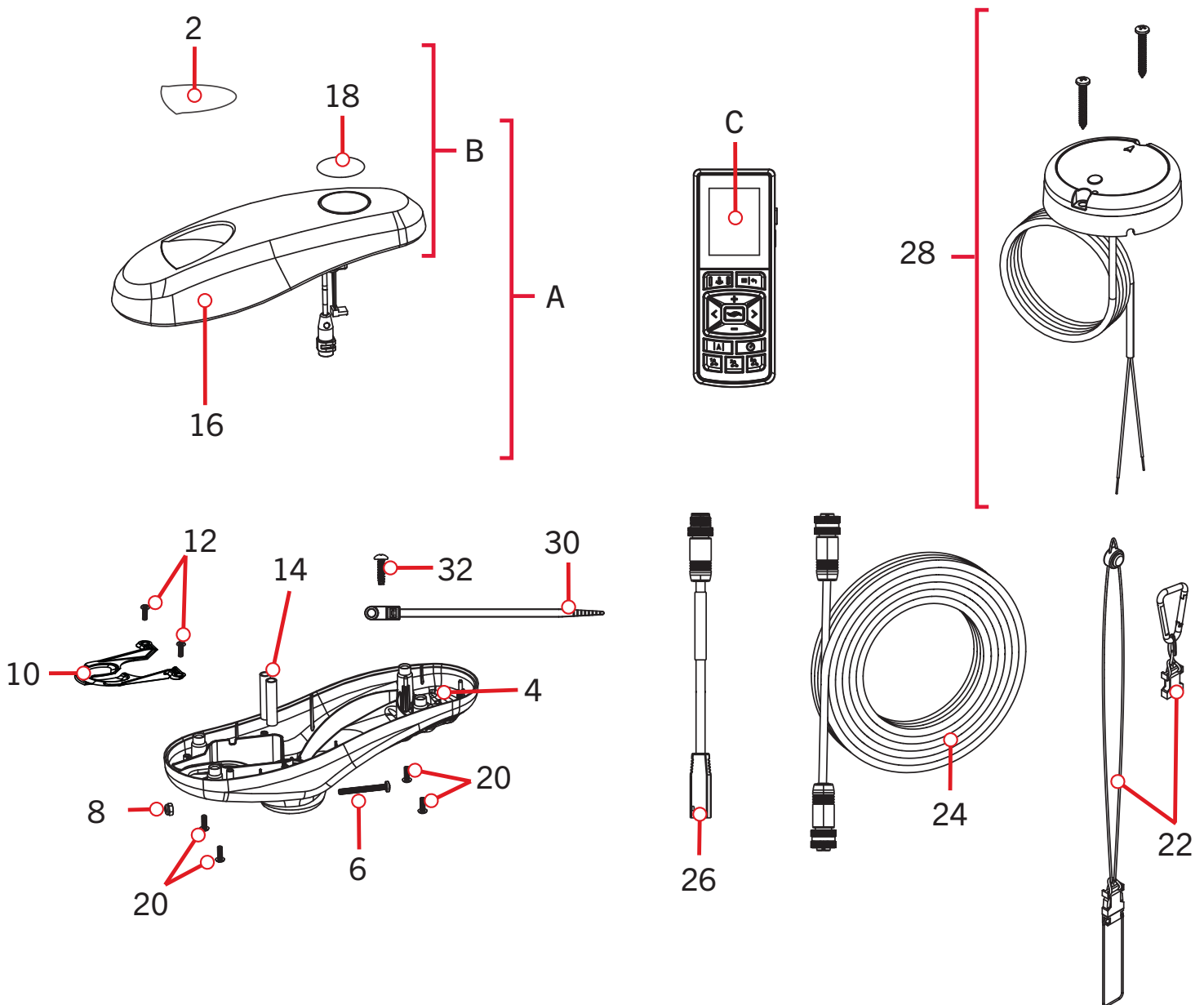
# PARTS DIAGRAM & PARTS LIST

## RIPTIDE TERROVA - 55/80/112 LBS THRUST - 12/24/36 VOLT - 54"/60"/72" SHAFT

The parts diagram and parts list provides Minn Kota® WEEE compliance disassembly instructions. For more information about where you should dispose of your waste equipment for recycling and recovery and/or your European Union member state requirements, please contact your dealer or distributor from which your product was purchased. Tools required, but not limited to: flat head screwdriver, Phillips screwdriver, socket set, pliers, wire cutters.

### RIPTIDE TERROVA CONTROL HEAD >

#### > Control Head Parts Diagram



# PARTS DIAGRAM & PARTS LIST

## Control Head Parts List

| Assembly | Part #   | Description                       | Notes   | Quantity |
|----------|----------|-----------------------------------|---------|----------|
| A        | 2774104  | MTR KIT, 4.0 PM SW WR             |         | 1        |
| B        | 2770243  | CVR KIT, ADV GPS NAV, RT TRV      |         | 1        |
| C        | 411690-1 | TROLLING MOTOR REMOTE             |         | 1        |
| Item     | Part #   | Description                       | Notes   | Quantity |
| ▲        | ✘        | SEAL,BUNG LOWER                   |         | 1        |
| ▲        | ✘        | SEAL,BUNG UPPER,SW                |         | 1        |
| ▲        | 2256300  | TIE WRAP-6.0" BLACK               |         | 2        |
| 2        | 2395567  | DECAL,PUSH BTN TOP 55# SW         | *55LB*  | 1        |
|          | 2395568  | DECAL,PUSH BTN TOP 80# SW         | *80LB*  | 1        |
|          | 2395569  | DECAL,PSH BTN TOP 112# SW         | *112LB* | 1        |
| 4        | 2292501  | CONTROL BOX, SW ST/T2             |         | 1        |
| 6        | 2263406  | SCREW-#10-24 X 2" SS PPH          |         | 1        |
| 8        | 2333101  | NUT-HEX #10-24 UNC-2B NYL SS      |         | 1        |
| 10       | 2224707  | PLUG, SCREW-DOWN, WHT             |         | 1        |
| 12       | 2203441  | SCREW-#6 X 1/2" THRD FORM,SSTL    |         | 2        |
| 14       | 2305402  | SHRINK TUBE-.374 OD X 2.25"       |         | 2        |
| 16       | 2290213  | COVER,CTRL BOX iP, RT PD PRTD     |         | 1        |
| 18       | 2395529  | DECAL, DOMED SW                   |         | 1        |
| 20       | 2372100  | SCREW-#8-18 X 5/8 THD* (SS        |         | 4        |
| 22       | 2390802  | LANYARD w/CARABINER IP RMT U2     |         | 1        |
| 24       | 490384-4 | CABLE, ETHERNET (M12-M12), 30'    |         | 1        |
| 26       | 490380-1 | CABLE, ETHERNET PIGTAIL-700 HD    |         | 1        |
| 28       | 2996400  | HEADING SENSOR ASSEMBLY           |         | 1        |
| 30       | 2206302  | TIE WRAP, SCREW MOUNT 6.3"        |         | 1        |
| 32       | 2203441  | SCREW-#6 X 1/2" THRD FORM,SSTL    |         | 1        |
| ▲        | 2327135  | MANUAL, RT TERROVA 3 PM           |         | 1        |
| ▲        | 2327137  | MANUAL-INSTLL GD RT T3 PM         |         | 1        |
| ▲        | 2397110  | MANUAL, WIRELESS REMOTE           |         | 1        |
| ▲        | 2397115  | GUIDE-QCK REFERNC WIRELESS REMOTE |         | 1        |
| ▲        | 2297165  | MANUAL-DISCLAIMER,DWNLOAD INFO    |         | 1        |
| ▲        | 2015800  | HANG TAG "CAUTION TILT HINGE"     |         | 1        |
| ▲        | 2394900  | INSTRUCTIONS, HEADING SENSOR      |         | 1        |
| ▲        | 2294950  | INSTRUCTIONS,OBN & REMOTE PAIR    |         | 1        |

▲ Not shown on Parts Diagram.

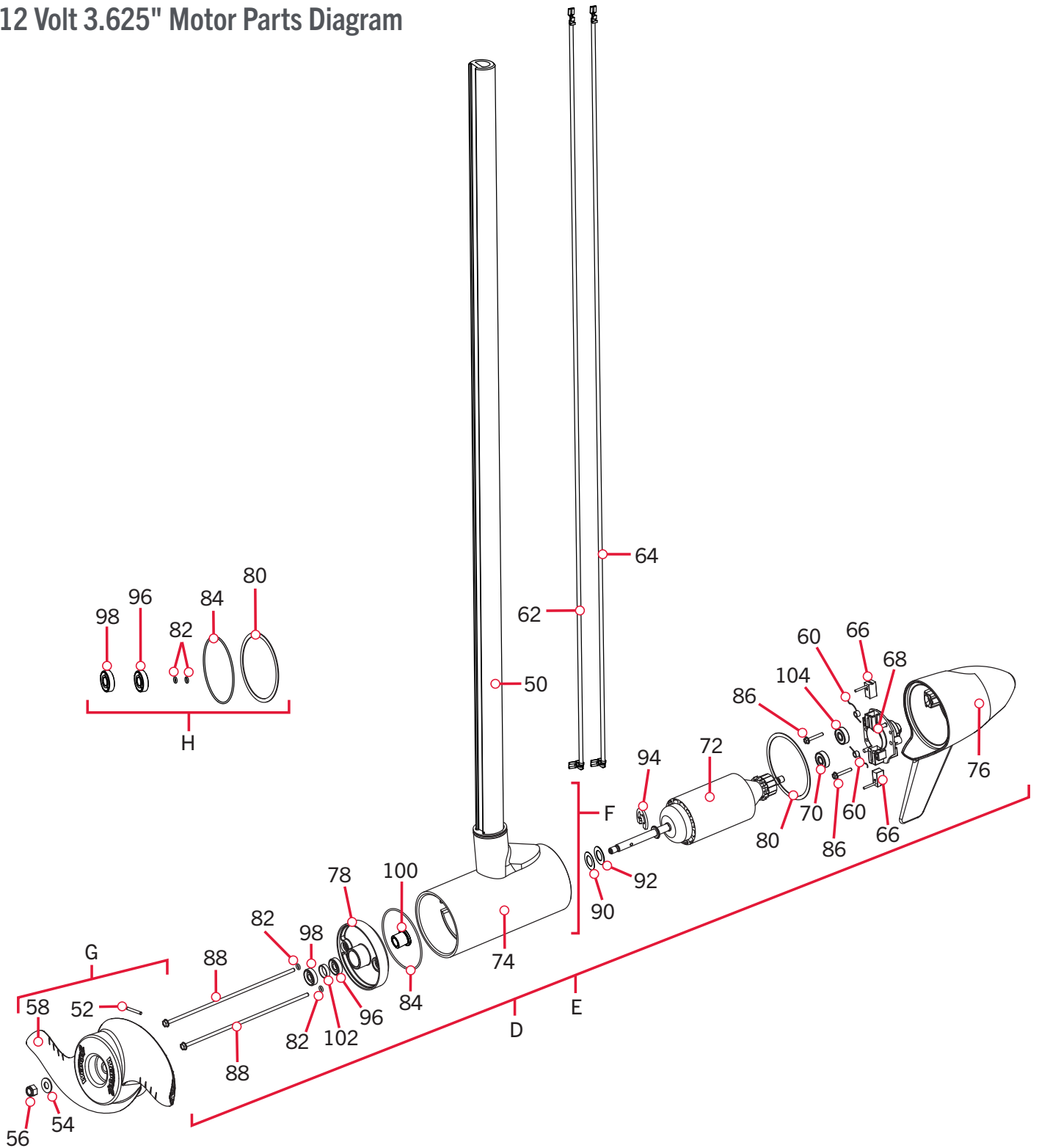
✘ This part is included in an assembly and cannot be ordered individually.

# PARTS DIAGRAM & PARTS LIST



## RIPTIDE TERROVA MOTOR >

### > 12 Volt 3.625" Motor Parts Diagram



## PARTS DIAGRAM & PARTS LIST

### ▶ 12 Volt 3.625" Motor Parts List

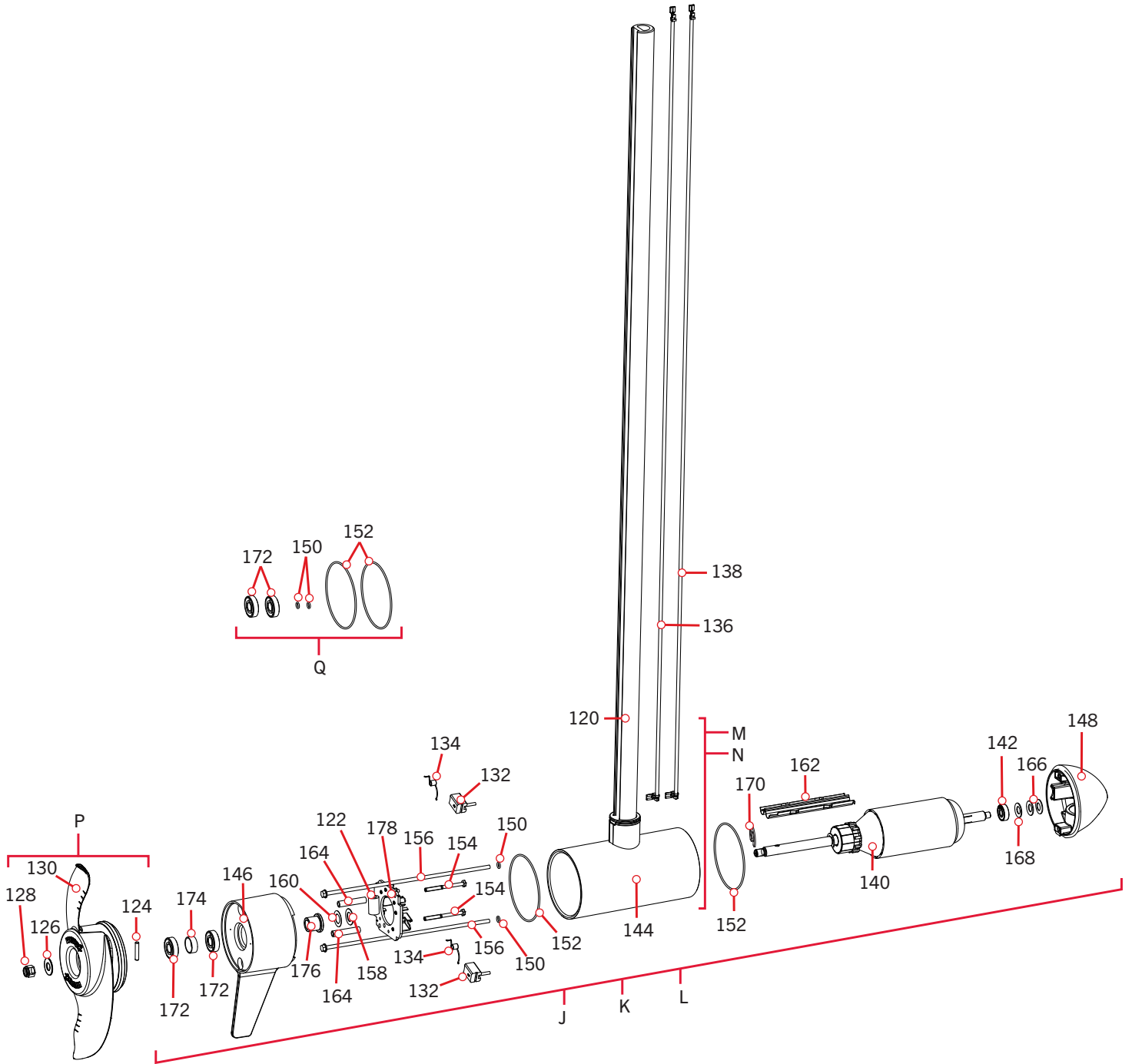
| Assembly | Part #     | Description                    | Notes       | Quantity |
|----------|------------|--------------------------------|-------------|----------|
| D        | 2779034    | MTR/TUBE ASM 55# 54" RT TRV BT | *54"        | 1        |
| E        | 2119037    | MTR ASY 12V 3.62" 55# SW       | *60"        | 1        |
| F        | 2779307    | CTR HSG, CB, 55#, SW 60"       |             | 1        |
| G        | 1378170    | PROP KIT 2091170 PWR PRP GENII | *55LB*      | 1        |
| H        | 2888460    | SEAL & O-RING KIT              |             | 1        |
| Item     | Part #     | Description                    | Notes       | Quantity |
| 50       | ✘          | TUBE-COMP,WHT,54",1/4" WALL    | *54"        | 1        |
|          | ✘          | TUBE-COMP,WHT,60",1/4" WALL    | *60"        | 1        |
| 52       | 2092602    | PIN-DRIVE 1.06 X 1/8 SS 17-4   | *55LB*      | 1        |
| 54       | 2151726    | WASHER-5/16 STD (S/S)          |             | 1        |
| 56       | 2053101    | NUT-PROP,NYLOC(MED) 5/16-24 SS |             | 1        |
| 58       | 2091170    | PROP-PWR (3 5/8") REAMED       | *55LB*      | 1        |
| 60       | 975-040    | SPRING - TORSION               |             | 2        |
| 62       | 640-151    | LEADWIRE RED 10 AWG 70.375 GPT | *54"        | 1        |
|          | 640-110    | LEADWIRE RED 10 AWG 73 GPT     | *60"        | 1        |
| 64       | 640-023    | LEADWIRE BLK 10 AWG 69" GPT    | *54"        | 1        |
|          | 640-011    | LEADWIRE BLK 10 AWG 71 GPT     | *60"        | 1        |
| 66       | 188-036    | BRUSH ASSEMBLY 3.625           |             | 2        |
| 68       | 738-036    | BRUSH PLATE WITH HOLDER 3.625  |             | 1        |
| 70       | 725-050    | PAPER TUBE - BRUSH RETENTION   |             | 1        |
| 72       | 2-100-146  | ARM ASY 12V 3.62 55#CB/LS      |             | 1        |
| 74       | ✘          | CTR HSG ASY 3.6 SW/CB/W-MG     |             | 1        |
| 76       | 421-350    | HSG BRSH END 3.62 SW CB/WHITE  |             | 1        |
| 78       | 2-400-337A | PLAIN END HSG ASY 3.6 W        |             | 1        |
| 80       | 337-036    | GASKET                         |             | 1        |
| 82       | 701-008    | O-RING                         | *THRU-BOLT* | 2        |
| 84       | 701-081    | O-RING                         |             | 1        |
| 86       | 830-007    | SCREW, # 8-32                  |             | 2        |
| 88       | 830-108    | THRU BOLT 10-32 X 9.205 COATED |             | 2        |
| 90       | 990-067    | WASHER - STEEL THRUST          |             | 1        |
| 92       | 990-070    | WASHER - NYLATRON              |             | 1        |
| 94       | 788-015    | RETAINING RING                 |             | 1        |
| 96       | 880-003    | SEAL                           |             | 1        |
| 98       | 880-006    | SEAL WITH SHIELD               |             | 1        |
| 100      | 144-049    | BEARING-FLANGE                 |             | 1        |
| 102      | 725-035    | PAPER TUBE - SEAL BORE         |             | 1        |
| 104      | 140-010    | BEARING - BALL                 |             | 1        |

▲ Not shown on Parts Diagram.

✘ This part is included in an assembly and cannot be ordered individually.

# PARTS DIAGRAM & PARTS LIST

## 24 Volt 4" Motor Parts Diagram



# PARTS DIAGRAM & PARTS LIST

## ▶ 24 Volt 4" Motor Parts List

| Assembly | Part #    | Description                    | Notes       | Quantity |
|----------|-----------|--------------------------------|-------------|----------|
| J        | 2777034   | MTR/TUBE ASM 80# 54" RT TRV BT | *54"        | 1        |
| K        | 2777036   | MTR/TUBE ASM 80# 60" RT TRV BT | *60"        | 1        |
| L        | 2777042   | MTR/TUBE 80# 72" RT TRV-M BT   | *72"        | 1        |
| M        | 2777398   | CTR HSG,CB,80#,SW, UP TO 60"   | *54" *60"   | 1        |
| N        | 2777399   | CTR HSG,CB,80#,SW,72" RT TRV   | *72"        | 1        |
| P        | 1378132   | PROP IND 233160 WDLS WDG II    | *80LB*      | 1        |
| Q        | 2889460   | SEAL & O-RING KIT              |             | 1        |
| Item     | Part #    | Description                    | Notes       | Quantity |
| 120      | ✘         | TUBE-COMP,WHT,54",1/4" WALL    | *54"        | 1        |
|          | ✘         | TUBE-COMP,WHT,60",1/4" WALL    | *60"        | 1        |
|          | ✘         | TUBE-COMP, WHT, 72" BORED      | *72"        | 1        |
|          | ✘         | TUBE-CMP,WHT,72",1/4","M"      | *72"        |          |
| 122      | 2307312   | BEAD-FERRITE                   |             | 1        |
| 124      | 2262659   | PIN-DRIVE 1" X 3/16 SS 17-4    | *80LB*      | 1        |
| 126      | 2091701   | WASHER-PROP (LARGE)            |             | 1        |
| 128      | 2093101   | NUT-PROP,NYLOC,LG,MX101 3/8 SS |             | 1        |
| 130      | 2331161   | PROP-WW2 4" WELDED             | *80LB*      | 1        |
| 132      | 188-094   | BRUSH W/TERMINAL               |             | 2        |
| 134      | 975-041   | SPRING - TORSION               |             | 2        |
| ▲        | ✘         | RIVET - .25"                   |             | 6        |
| 136      | 640-133   | LEADWIRE RED 10AWG 66-1/4 XLP  | *54"        | 1        |
|          | 640-126   | LEADWIRE RED 10AWG 71" XLP     | *60"        | 1        |
|          | 640-155   | LEADWIRE RED 10 AWG 83.625 XLP | *72"        | 1        |
| 138      | 640-025   | LEADWIRE BLK 10 AWG 66 3/4 XLP | *54"        | 1        |
|          | 640-022   | LEADWIRE BLK 10 AWG 72.5 XLP   | *60"        | 1        |
|          | 640-053   | LEADWIRE BLK 10 AWG 82.375 XLP | *72"        | 1        |
| ▲        | ✘         | BRUSH HOLDER                   |             | 2        |
| ▲        | ✘         | CONNECTOR 1/4 MALE TAB QD      |             | 2        |
| 140      | 2-100-214 | ARM ASSY 24V 4" 80# (WW2)      |             | 1        |
| 142      | 140-010   | BEARING - BALL                 |             | 1        |
| 144      | 2-200-395 | CTR HSG ASM 4.0" SW CB MGNTZD  |             | 1        |
| 146      | 2-300-370 | BRUSH END HSG ASY SW/W 4.0     |             | 1        |
| 148      | 421-376   | HSG PLN END 4" SW WHT BS       |             | 1        |
| 150      | 701-009   | O-RING                         | *THRU-BOLT* | 2        |
| 152      | 701-043   | O-RING                         |             | 2        |
| 154      | 830-027   | SCREW - SELF-THREAD 10-32X2.25 |             | 2        |

▲ Not shown on Parts Diagram.

✘ This part is included in an assembly and cannot be ordered individually.

# PARTS DIAGRAM & PARTS LIST



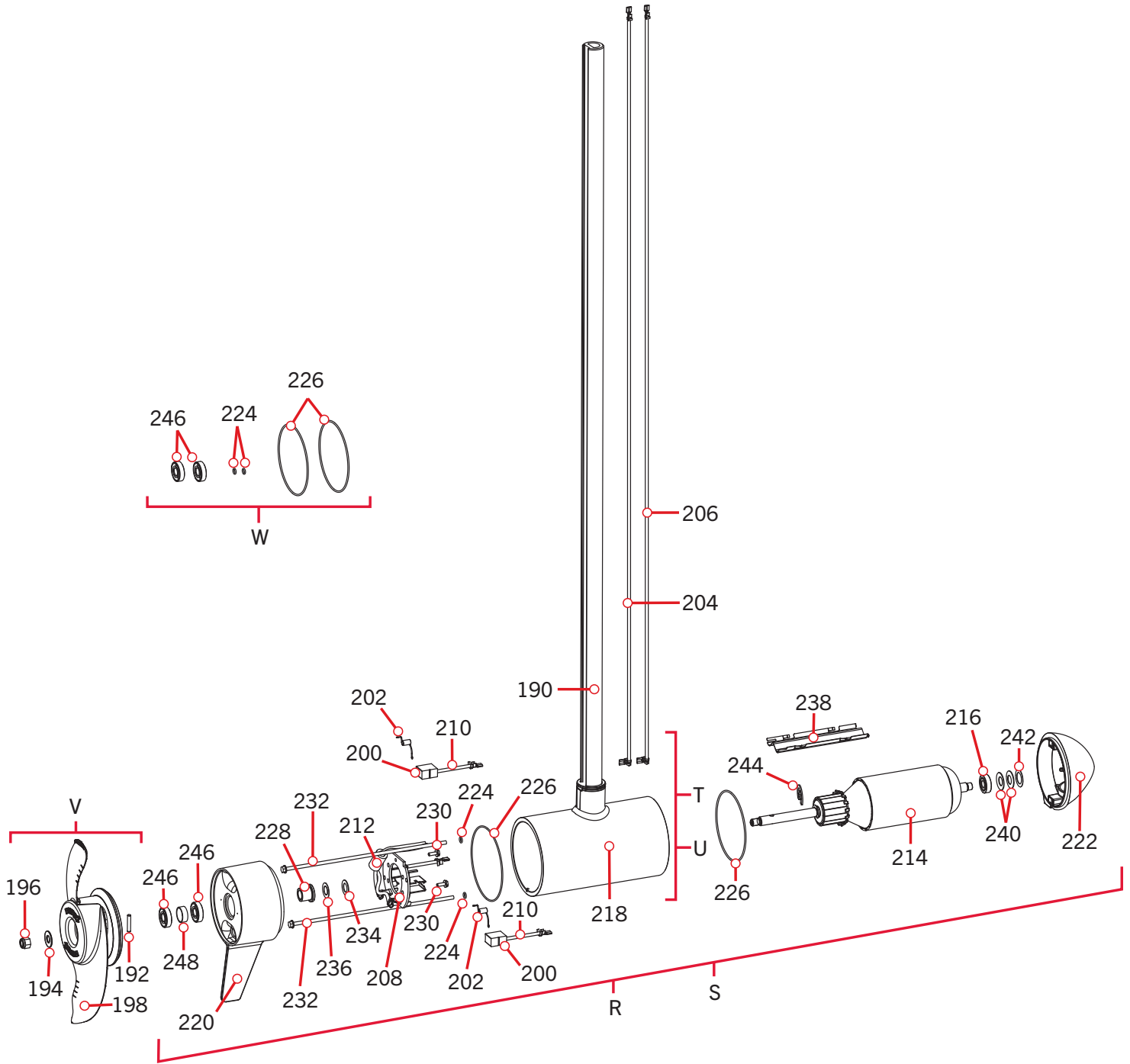
| Item | Part #    | Description                    | Notes | Quantity |
|------|-----------|--------------------------------|-------|----------|
| 156  | 830-194   | THRU BOLT 12-24 X 10.31 COATED |       | 2        |
| 158  | 990-051   | WASHER - STEEL THRUST          |       | 1        |
| 160  | 990-052   | WASHER - NYLATRON              |       | 1        |
| 162  | 582-013   | CLIP, RETAINING SHORT          |       | 1        |
| 164  | 973-025   | SPACER - BRUSHPLATE            |       | 2        |
| 166  | 992-010   | WASHER - BELLEVILLE            |       | 2        |
| 168  | 990-045   | SPACER - THRUST                |       | 1        |
| 170  | 788-040   | RETAINING RING                 |       | 1        |
| 172  | 880-025   | SEAL                           |       | 2        |
| 174  | 725-095   | PAPER TUBE, SEAL               |       | 1        |
| 176  | 144-017   | BEARING, FLANGE                |       | 1        |
| 178  | 9-738-015 | BRUSH PLATE ASM 4" CTR BUNG    |       | 1        |

▲ Not shown on Parts Diagram.

✘ This part is included in an assembly and cannot be ordered individually.



36 Volt 4.5" Motor Parts Diagram





# PARTS DIAGRAM & PARTS LIST

## ▶ 36 Volt 4.5" Motor Parts List

| Assembly | Part #    | Description                     | Notes       | Quantity |
|----------|-----------|---------------------------------|-------------|----------|
| R        | 2777083   | MTR/TUBE 112# 60" RT TRV BT     | *60"        | 1        |
| S        | 2777084   | MTR/TUBE 112# 72" RT TRV BT     | *72"        | 1        |
| T        | 2777357   | CTR HSG ASY,CB,112#,SW,60" TUBE | *60"        | 1        |
| U        | 2777358   | CTR HSG ASY,CB,112#,SW,72" TUBE | *72"        | 1        |
| V        | 1378160   | PROP KIT 2341160 112# WW2       | *112LB*     | 1        |
| W        | 2881450   | SEAL & O-RING KIT               |             | 1        |
| Item     | Part #    | Description                     | Notes       | Quantity |
| 190      | ✖         | TUBE-COMP,WHT,60",1/4" WALL     | *60"        | 1        |
|          | ✖         | TUBE-COMP, WHT, 72" BORED       | *72"        | 1        |
| 192      | 2262659   | PIN-DRIVE 1" X 3/16 SS 17-4     | *112LB*     | 1        |
| 194      | 2091701   | WASHER-PROP (LARGE)             |             | 1        |
| 196      | 2093101   | NUT-PROP,NYLOC,LG,MX101 3/8 SS  |             | 1        |
| 198      | 2341161   | PROP-WW2 4.5" WELDED            | *112LB*     | 1        |
| 200      | 188-095   | BRUSH                           |             | 2        |
| 202      | 975-045   | SPRING-TORSION                  |             | 2        |
| ▲        | ✖         | RIVET - .25"                    |             | 6        |
| 204      | 640-145   | LEADWIRE RED 10AWG 75 7/8" GPT  | *60"        | 1        |
|          | 640-149   | LEADWIRE RED 10AWG 88" GPT      | *72"        | 1        |
| 206      | 640-049   | LEADWIRE BLK 10AWG 88.50" GPT   | *60"        | 1        |
|          | 640-045   | LEADWIRE BLK 10 AWG 76.5 GPT    | *72"        | 1        |
| ▲        | ✖         | BRUSH HOLDER                    |             | 2        |
| 208      | 9-738-011 | BRUSH PLATE                     |             | 1        |
| 210      | 2260731   | TERMINAL 1/4" MALE TAB-THREE    |             | 2        |
| 212      | 2307312   | BEAD-FERRITE                    |             | 1        |
| 214      | 2-100-245 | ARMATURE ASY 4.5"LWR UNIT       |             | 1        |
| 216      | 140-014   | BEARING-BALL 6000               |             | 1        |
| 218      | 2-200-356 | CTR HSG ASM 4.5" SW CB MGNTZD   |             | 1        |
| 220      | 2-300-176 | BRUSH END HSG ASY 4.5" SW       |             | 1        |
| 222      | 421-241   | PLAIN END HSG 4.5" PNTD SW      |             | 1        |
| 224      | 701-009   | O-RING                          | *THRU-BOLT* | 2        |
| 226      | 701-098   | O-RING, 98MM X 2MM              |             | 2        |
| 228      | 144-017   | BEARING, FLANGE                 |             | 1        |
| 230      | 2053410   | SCREW-#8-32 X 1/2 TRI-LOBE HEX  |             | 2        |
| 232      | 830-194   | THRU BOLT 12-24 X 10.31 COATED  |             | 2        |
| 234      | 990-051   | WASHER - STEEL THRUST           |             | 1        |
| 236      | 990-052   | WASHER - NYLATRON               |             | 1        |

▲ Not shown on Parts Diagram.

✖ This part is included in an assembly and cannot be ordered individually.

# PARTS DIAGRAM & PARTS LIST



| Item | Part #  | Description                 | Notes | Quantity |
|------|---------|-----------------------------|-------|----------|
| 238  | 582-016 | CLIP-RETAINING, SONAR       |       | 1        |
| 240  | 992-011 | WASHER - BELLEVILLE         |       | 2        |
| 242  | 990-011 | WASHER-SHIM OD 1",ID.630"SS |       | 1        |
| 244  | 788-040 | RETAINING RING              |       | 1        |
| 246  | 880-025 | SEAL                        |       | 2        |
| 248  | 725-095 | PAPER TUBE, SEAL            |       | 1        |

▲ Not shown on Parts Diagram.

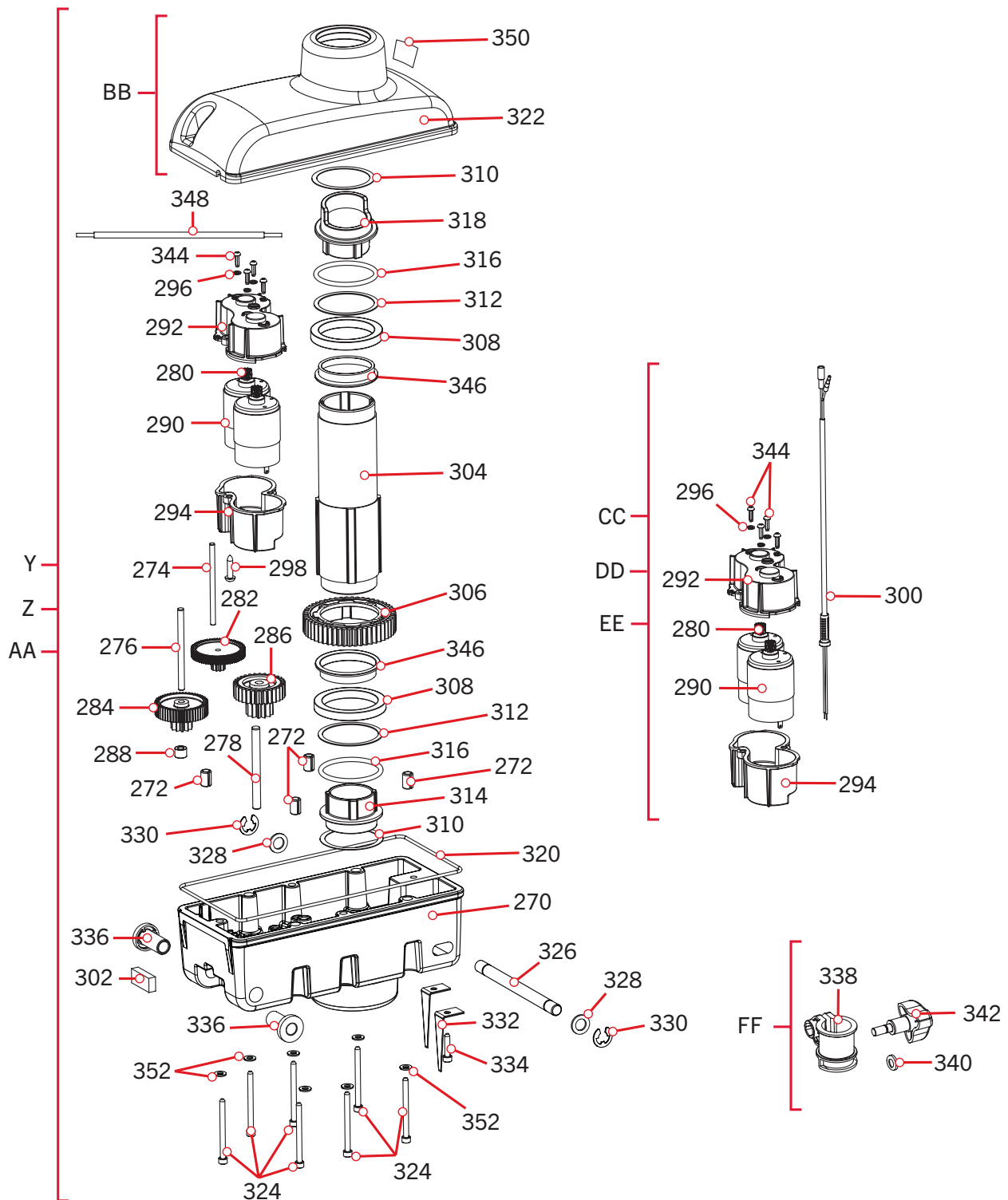
✘ This part is included in an assembly and cannot be ordered individually.



# PARTS DIAGRAM & PARTS LIST

## RIPTIDE TERROVA STEERING HOUSING

### Steering Housing Parts Diagram



# PARTS DIAGRAM & PARTS LIST

## Steering Housing Parts List

| Assembly | Part #  | Description                      | Notes                       | Quantity |
|----------|---------|----------------------------------|-----------------------------|----------|
| Y        | 2997056 | STR HSG ASM w/BSHG 12V SW        | *55LB*                      | 1        |
| Z        | 2997057 | STR HSG ASM w/BSHG 24V SW        | *80LB*                      | 1        |
| AA       | 2997058 | STR HSG ASM w/BSHG 36V SW        | *112LB*                     | 1        |
| BB       | 2776562 | STEERING HSG TOP SW / GEAR KIT   |                             | 1        |
| CC       | 2777060 | STEERING MOTOR KIT, 12V T2       | *55LB*                      | 1        |
| DD       | 2777061 | STEERING MOTOR KIT, 24V T2       | *80LB*                      | 1        |
| EE       | 2777063 | STEERING MOTOR KIT, 36V SW T2    | *DUAL MOTOR* *112LB*        | 1        |
| FF       | 2771505 | DEPTH COLLAR KIT, TERROVA BT     |                             | 1        |
| Item     | Part #  | Description                      | Notes                       | Quantity |
| 270      | 2326567 | STEERING HSG,BTTM,SW,WHT         |                             | 1        |
| 272      | ✘       | PIN-ROLL 5/16" X 1/2"            |                             | 4        |
| 274      | ✘       | SHAFT-GEAR, FIRST CLUSTER        |                             | 1        |
| 276      | ✘       | SHAFT-GEAR,INTERMED.CLUSTER      |                             | 1        |
| 278      | ✘       | SHAFT-GEAR, THIRD CLUSTER        |                             | 1        |
| 280      | 2322215 | PINION GEAR, DR.HSG, STAGE 1     | *55LB* *80LB*               | 1        |
|          | 2322215 | PINION GEAR, DR.HSG, STAGE 1     | *112LB*                     | 2        |
| 282      | 2322210 | GEAR & PINION,DR. HSG, STAGE 2   |                             | 1        |
| 284      | 2302250 | GEAR & PINION,DR. HSG, STAGE 3   |                             | 1        |
| 286      | 2302255 | GEAR & PINION,DR. HSG, STAGE 4   |                             | 1        |
| 288      | 2321730 | SPACER,GEAR CLUSTER              |                             | 1        |
| 290      | ✘       | MOTOR, STEERING 12V T2           | *SEE ASSEMBLY CC*           | 1        |
|          | ✘       | MOTOR, STEERING 24V T2           | *SEE ASSEMBLY DD*           | 1        |
|          | ✘       | MOTOR,STEERING 36V FW T2         | *SEE ASSEMBLY EE*           | 1        |
| 292      | 2322520 | CASE-MOTOR,STRG HSG, TOP         | *55LB* *80LB*               | 1        |
|          | 2322521 | CASE-MTR, STEER HSG, TOP w/HOLES | *112LB*                     | 1        |
| 294      | 2322525 | CASE-MOTOR,STRG HSG,BTM          |                             | 1        |
| 296      | 2051710 | LOCKWASHER-SPLIT, 3MM, ZP        | *55LB* *80LB*               | 2        |
|          | 2051710 | LOCKWASHER-SPLIT, 3MM, ZP        | *112LB*                     | 4        |
| 298      | 2043412 | SCREW-#8-18 X 3/4 TY AB SS PPH   |                             | 1        |
| 300      | ✘       | LEADWIRE,STEERING MOTOR          | *SEE ASSEMBLY CC, DD OR EE* | 1        |
| 302      | 2308601 | BREATHER FILTER, DR.HOUSING      |                             | 1        |
| 304      | 2322031 | TUBE-OUTPUT, SALTWATER           |                             | 1        |
| 306      | 2322200 | GEAR-OUTPUT                      |                             | 1        |
| 308      | 2327315 | BUSHING,ALUMIN. SPACER ST        |                             | 2        |
| 310      | 2321704 | WASHER-THRUST, STEERING          |                             | 2        |
| 312      | 2321720 | SHIM,O-RING                      |                             | 2        |

▲ Not shown on Parts Diagram.

✘ This part is included in an assembly and cannot be ordered individually.

# PARTS DIAGRAM & PARTS LIST



| Item | Part #  | Description                    | Notes         | Quantity |
|------|---------|--------------------------------|---------------|----------|
| 314  | 2321510 | COLLAR-DRIVE,BOTTOM            |               | 1        |
| 316  | 2324608 | O-RING,224,PD PRO STR HSG      |               | 2        |
| 318  | 2321515 | LINER OUTPUT TUBE              |               | 1        |
| 320  | 2324604 | O-RING, CASE SEAL              |               | 1        |
| 322  | ✘       | HOUSING-STEERING, TOP, SW      |               | 1        |
| 324  | 2323415 | SCREW-#8-32X2.0 SHCS,NYSH      |               | 7        |
| 326  | 2322601 | PIN-LATCH, SS                  |               | 1        |
| 328  | 2321702 | WASHER-FLAT .375 NYLON         |               | 2        |
| 330  | 2263011 | E-RING 3/8 DIA. SHAFT          |               | 2        |
| 332  | 2322702 | SPRING, LATCH PIN SS           |               | 2        |
| 334  | 2323411 | SCREW-#8-32X.75 SHCS,NYSH      |               | 1        |
| 336  | 2327310 | BUSHING,STEERING HSG PIVOT,FW  |               | 2        |
| 338  | 2321500 | DEPTH COLLAR 1.30              |               | 1        |
| 340  | 2321702 | WASHER-FLAT .375 NYLON         |               | 1        |
| 342  | 2260906 | KNOB-SOFT GRIP,HG/DR,SS        |               | 1        |
| 344  | 2053422 | SCREW-M3-.5 X 10 PPH, ZPS      | *55LB* *80LB* | 2        |
|      | 2053422 | SCREW-M3-.5 X 10 PPH, ZPS      | *112LB*       | 4        |
| 346  | 2327314 | BUSHING, PRO STEERING SW       |               | 2        |
| 348  | 2320321 | WIRE EXTENSION, 112 THRUST MTR | *112LB*       | 1        |
| 350  | 2325503 | DECAL,STOW/DEPLOY,TRV3 PM      |               | 1        |
| 352  | 3394602 | WASHER-FLAT #8 SS              |               | 7        |

▲ Not shown on Parts Diagram.

✘ This part is included in an assembly and cannot be ordered individually.





# PARTS DIAGRAM & PARTS LIST

## Mount Parts List

| Assembly | Part #  | Description                    | Notes          | Quantity |
|----------|---------|--------------------------------|----------------|----------|
| GG       | 2324062 | CONTROL BRD ASY, MAIN, 12V, IP | *55LB*         | 1        |
| HH       | 2324063 | CTRL BRD,MAIN,24/36V,IP        | *80LB* *112LB* | 1        |
| JJ       | 2994864 | BAG ASSY-TERROVA/V2,MNTG HDW   |                | 1        |
| Item     | Part #  | Description                    | Notes          | Quantity |
| 380      | 2321908 | BASE, EXTRUSION, MACH,SW       |                | 1        |
| 382      | 2322912 | PIN-ROLL .1875 X 1.000 SS      |                | 2        |
| 384      | 2322603 | PIN-PIVOT, SS                  |                | 1        |
| 386      | 2333100 | NUT-SPEED (SS) 3HP-SS          |                | 2        |
| 388      | 2320406 | HANDLE, RELEASE, SW            |                | 1        |
| 390      | 2322604 | BUSHING,HANDLE,GOBEIL #FF-310  |                | 2        |
| 392      | 2071716 | WASHER-FLAT SS .253 x .470     |                | 1        |
| 394      | 2322701 | SPRING, TORSION                |                | 1        |
| 396      | 2301700 | SPACER-RELEASE LEVER-BRASS     |                | 1        |
| 398      | 2073408 | SCREW-1/4-20 X 7/8 PPH S/S     |                | 1        |
| 400      | 2321941 | BRACKET, STRAIN RELIEF SW      |                | 1        |
| 402      | 2321951 | BRACKET, SIDEPLATE SW          |                | 1        |
| 404      | 2323412 | SCREW-#8-18 X .25 PPH SS TY B  |                | 4        |
| 406      | 2321706 | WASHER-FLAT #8 .50 OD/.188 SS  |                | 4        |
| 408      | 2325115 | PAD, RUBBER REST, BLACK        |                | 4        |
| 410      | 2323910 | RAMP-MOTOR, RIGHT 3-5/8"       | *55LB*         | 1        |
|          | 2323930 | RAMP-MOTOR, RIGHT 4"           | *80LB*         | 1        |
|          | 2323931 | RAMP-MOTOR, RIGHT 4.5"         | *112LB*        | 1        |
| 412      | 2994201 | ARM/SUPPORT BLOCK ASSY,R,SW    |                | 1        |
| 414      | 2321920 | PLATE-SKID, RIGHT FW           | *55LB* *80LB*  | 1        |
|          | 2321922 | PLATE-SKID, RIGHT              | *112LB*        | 1        |
| 416      | 2323915 | RAMP-MOTOR, LEFT 3 5/8"        | *55LB*         | 1        |
|          | 2323935 | RAMP-MOTOR, LEFT 4"            | *80LB*         | 1        |
|          | 2323936 | RAMP-MOTOR, LEFT 4.5"          | *112LB*        | 1        |
| 418      | 2324706 | INSERT-MOTOR RAMP,METAL,SS     |                | 2        |
| 420      | 2994203 | ARM/SUPPORT BLOCK ASSY,L,SW    |                | 1        |
| 422      | 2322716 | SPRING, EXTENSION, T2          |                | 2        |
| 424      | 2321700 | WASHER #10 SS                  |                | 2        |
| 426      | 2323422 | SCREW-#10-24 X .25" PPH SS MCH |                | 2        |
| 428      | 2322921 | STAND-OFF, ALUM. ANODIZED      |                | 2        |
| 430      | 2321925 | PLATE-SKID, LEFT               | *55LB* *80LB*  | 1        |
|          | 2321927 | PLATE-SKID, LEFT               | *112LB*        | 1        |

▲ Not shown on Parts Diagram.

✳ This part is included in an assembly and cannot be ordered individually.

# PARTS DIAGRAM & PARTS LIST



| Item | Part #  | Description                    | Notes       | Quantity |
|------|---------|--------------------------------|-------------|----------|
| 432  | 2323403 | SCREW-1/4-20 X.375 MCH SS CRPH |             | 3        |
| 434  | 2320218 | COVER, HANDLE COSMETIC SW      |             | 1        |
| 436  | 2383446 | SCREW-#8-16 X .50" PLASTITE SS |             | 2        |
| 438  | 2320830 | LOCKING TAB,PWR/BAT.METER      |             | 1        |
| 440  | 2383428 | SCREW-#4-24 X 3/8 HI-LO SS     |             | 2        |
| 444  | 2090651 | LEADWIRE,10 GA                 |             | 1        |
| 446  | 2321310 | STRAIN RELIEF                  |             | 1        |
| 448  | 2323405 | SCREW-1/4-20 X 1/2" MCH SS     |             | 11       |
| 450  | 2307312 | BEAD-FERRITE                   |             | 1        |
| 452  | 2991271 | COIL CORD ASY 54"/60" NON-US2  | *54"* *60"* | 1        |
|      | 2991275 | COIL CORD ASY 72" NON-US       | *72"*       | 1        |
| 454  | 2323928 | SIDEPLATE-LEFT, RT TERROVA     |             | 1        |
| 456  | 2326531 | HOUSING-CENTER, RT/ST          |             | 1        |
| 458  | 2325637 | DECAL-PWR SWTCH,T3PM,SW        |             | 1        |
| 460  | 2074080 | BATTERY METER, 12V, SW         | *55LB*      | 1        |
|      | 2074081 | BATTERY METER, 24V, SW         | *80LB*      | 1        |
|      | 2074082 | BATTERY METER, 36V, SW         | *112LB*     | 1        |
| 462  | 2305403 | SHRINK TUBE-.500 IDX1.0" ADHSV |             | 4        |
| 464  | 2322901 | STRAIN RELIEF, HEYCO P/N 1852  |             | 1        |
| 466  | 2323923 | SIDEPLATE-RIGHT, RT/ TERROVA   |             | 1        |
| 468  | 2263462 | SCREW-1/4-20 X 2" S/S PPH ADJT |             | 6        |
| 470  | 2261713 | WASHER-1/4 FLAT 18-8 SS        |             | 6        |
| 472  | 2263103 | NUT-1/4-20 NYLOCK SS           |             | 6        |
| 474  | 2301720 | WASHER-MOUNTING - RUBBER       |             | 6        |
| 476  | 2305410 | SHRINK TUBE-.315 OD X 2.25"    |             | 3        |
| 478  | 2305415 | SHRINK TUBE-.472 ID X 2.25"    |             | 1        |
| ▲    | 2323406 | SCREW-#10-24 X .50 CRPH SS     |             | 2        |
| ▲    | 2377179 | INSTR.SHEET, MKA-60 STABILIZER | *72"*       | 1        |

▲ Not shown on Parts Diagram.

✘ This part is included in an assembly and cannot be ordered individually.

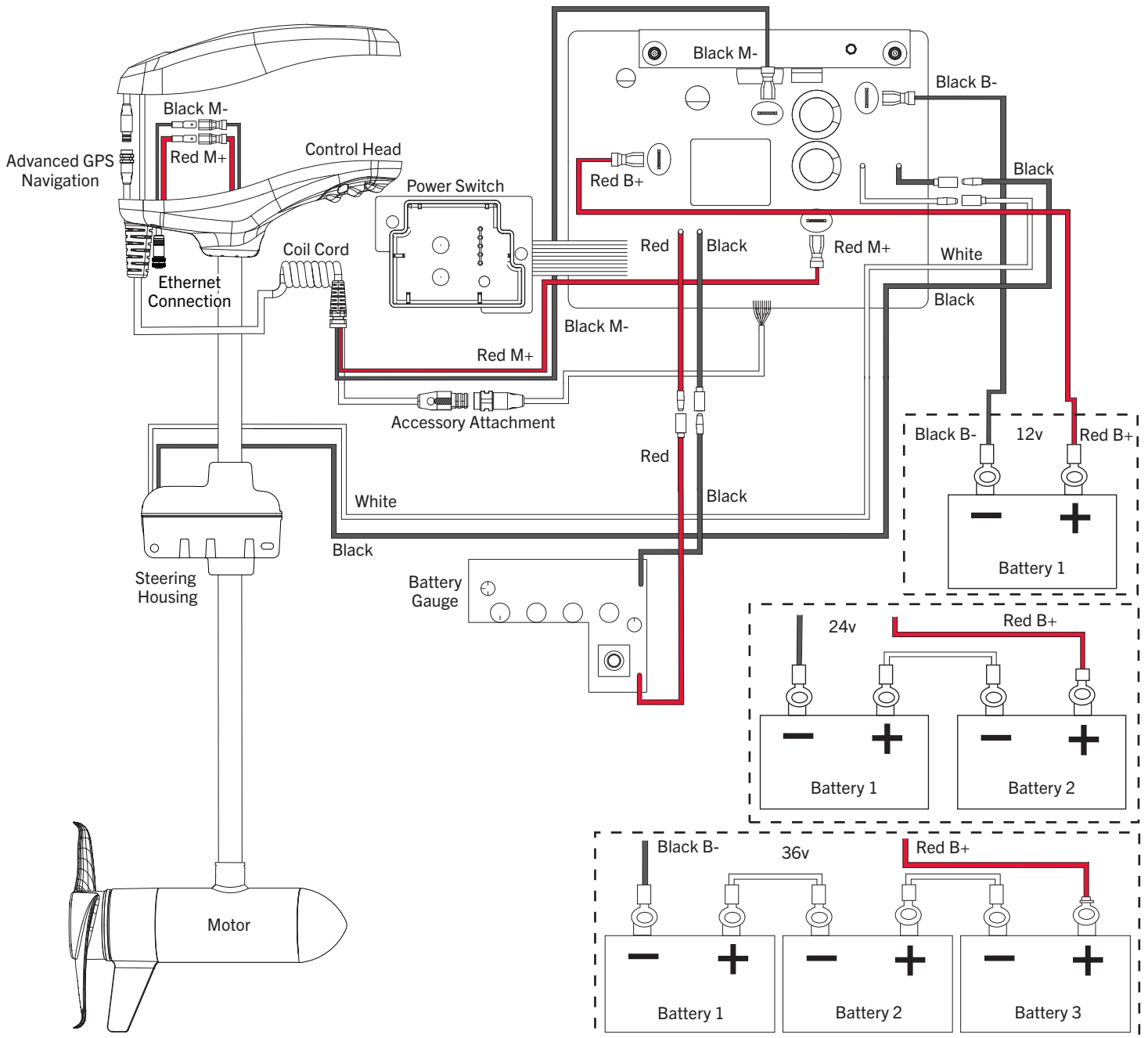




# MOTOR WIRING DIAGRAM

## RIPTIDE TERROVA

The following Motor Wiring Diagram applies to all Riptide Terrova models.



**NOTICE:** This is a multi-voltage diagram. Double-check your motor's voltage for proper connections. Over-Current Protection Devices are not shown in this illustration.