

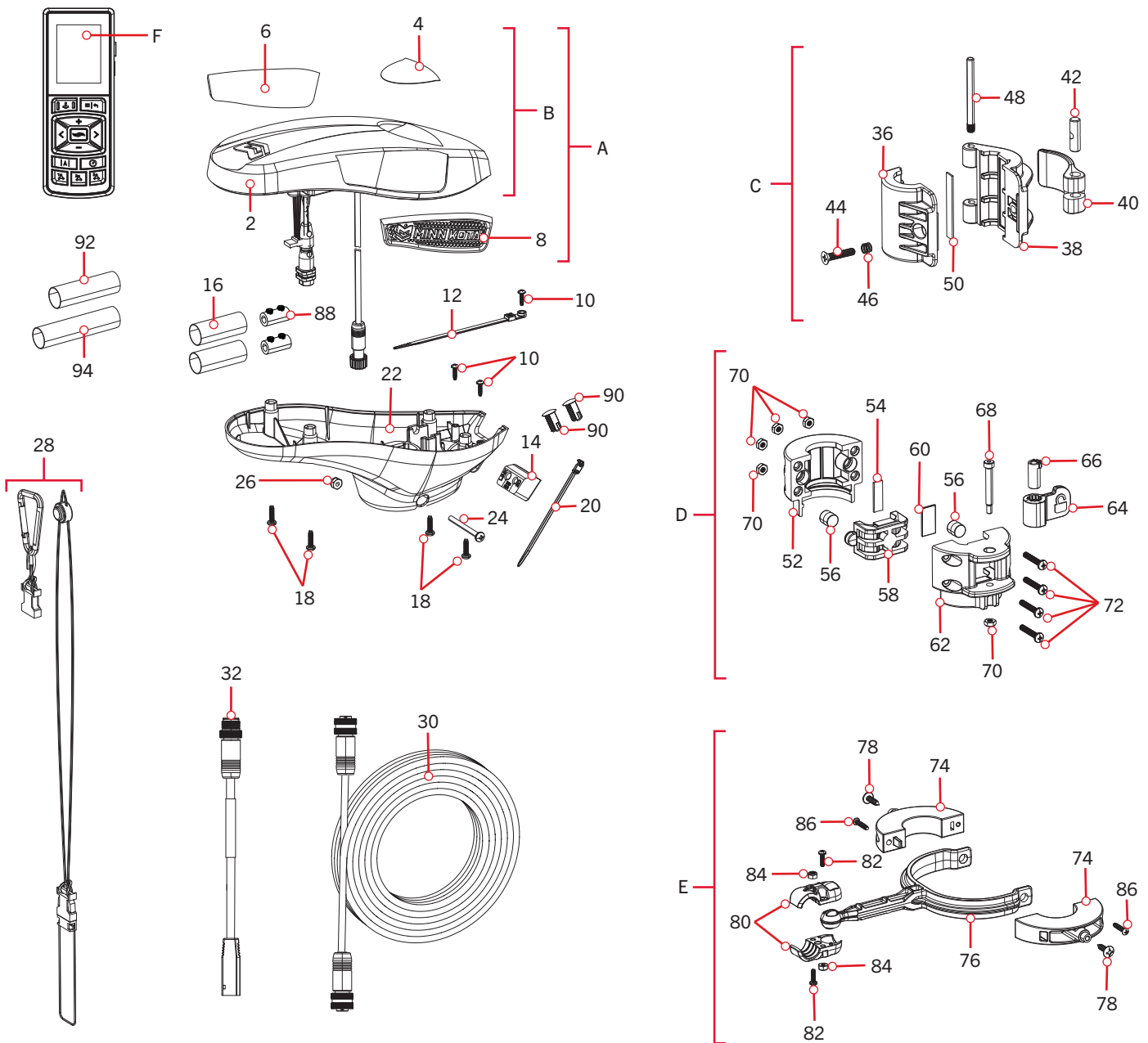
PARTS DIAGRAM & PARTS LIST

RIPTIDE TERROVA QUEST - 90/115 THRUST - 24/36 VOLTS - 60"/72"/87"/100" SHAFT

The parts diagram and parts list provide Minn Kota® WEEE compliance disassembly instructions. For more information about where you should dispose of your waste equipment for recycling and recovery and/or your European Union member state requirements, please contact your dealer or distributor from which your product was purchased. Tools required, but not limited to: flat head screwdriver, Phillips screwdriver, socket set, pliers, wire cutters.

RIPTIDE TERROVA QUEST CONTROL HEAD >

> Control Head Parts Diagram



PARTS DIAGRAM & PARTS LIST

Control Head Parts List

Assembly	Part #	Description	Notes	Quantity
A	2774193	CONTROLLER KT 4.0 QUEST SW WHT		1
B	2770249	CTRL BOX COVER QUEST SW WHT	*COVER & DECALS*	1
C	2991530	CLAMP COLLAR ASSEMBLY		1
D	✘	STOW LOCK COLLAR ASSEMBLY	*72"* *87"* *100"*	1
E	✘	COIL CORD SLIDER ASSEMBLY	*72"* *87"* *100"*	1
F	411690-1	TROLLING MOTOR REMOTE		1
Item	Part #	Description	Notes	Quantity
2	2200221	CONTROL BOX COVER, WHITE		1
4	2395561	DECAL,PSH BTN, INST, WHT		1
6	2205541	DECAL, CTRL BOX MK RIGHT SW		1
8	2205546	DECAL, CTRL BOX MK LEFT SW		1
10	2203441	SCREW-#6 X 1/2" THRD FORM,SSTL		3
12	2206302	TIE WRAP,SCREW MOUNT 6.3"		1
14	2206710	PLUG, RUBBER, DI/SI		1
16	2205413	SHRINK TUBE-3/4 X 2.25"		2
18	2372100	SCREW-#8-18 X 5/8 THD* (SS)		4
20	2206301	TIE WRAP, LOW PROFILE 8"		1
22	2202521	CONTROL BOX BASE, ULTERRA SW		1
24	2263406	SCREW-#10-24 X 2" S/S PPH		1
26	2333101	NUT-HEX #10-24 UNC-2B NYL SS		1
28	2390802	LANYARD w/CARABINER IP RMT U2		1
30	490384-4	CABLE, ETHERNET (M12-M12), 30'		1
32	490380-1	CABLE, ETHERNET PIGTAIL-700 HD		1
36	2291530	CLAMP COLLAR, BOLT SIDE		1
38	2291535	CLAMP COLLAR, CAM SIDE		1
40	2297200	LEVER, CAM LOCK		1
42	2322615	PIN,CAM LOCK,DEPTH COLLAR		1
44	2323401	SCREW-1/4-28X1 1/4 PFH		1
46	2062720	SPRING,DEPTH COLLAR,TRAXX		1
48	2292617	PIN, HINGE		1
50	2295110	PAD, FRICTION		1
52	2321535	COLLAR-STOW SPRING SIDE	*72"* *87"* *100"*	1
54	2325120	PAD-FRICTION, SPRING SIDE	*72"* *87"* *100"*	1
56	2322707	SPRING SILICONE RUBBER	*72"* *87"* *100"*	2
58	2323010	RING-PRESSURE,STOW COLLAR	*72"* *87"* *100"*	1
60	2325121	PAD-FRICTION, CAM SIDE	*72"* *87"* *100"*	1
62	2321536	COLLAR-STOW, CAM SIDE	*72"* *87"* *100"*	1
64	2327910	CAM ARM, STOW COLLAR	*72"* *87"* *100"*	1

▲ Not shown on Parts Diagram.

✘ This part is included in an assembly and cannot be ordered individually.

PARTS DIAGRAM & PARTS LIST



Item	Part #	Description	Notes	Quantity
66	2327330	BUSHING, CAM ARM	*72"* *87"* *100"*	1
68	2322635	BOLT,SHLDER ¼X1½X10-24 SS	*72"* *87"* *100"*	1
70	2323112	NUT-#10-24 NYLOCK JAM SS	*72"* *87"* *100"*	5
72	2323413	SCREW-#10-24X1 1/8 NYLOCK	**72"* *87"* *100"*	4
74	2201530	COLLAR HALF, COIL CORD	*72"* *87"* *100"*	2
76	2201531	COLLAR ARM, COIL CORD	**72"* *87"* *100"*	1
78	2203424	SCREW-#10-12 x.75 PTH SS	*72"* *87"* *100"*	2
80	2200860	CLAMP-BALL,COIL CORD SLDR	*72"* *87"* *100"*	2
82	830-065	SCREW-#6-32 X 1/2" TORX PH SS	*72"* *87"* *100"*	2
84	2323110	NUT-HEX, 6-32 NYLOK SS	*72"* *87"* *100"*	2
86	2203460	SCREW-#8 X 0.75 PPH HI-LO SS	*72"* *87"* *100"*	2
88	2375444	SPLICER, 6-10 AWG, TIN PLTD		2
90	2208633	RIVET-SNAP, PLASTIC PLUG		2
92	2205412	SHRINK TUBE-.75 ID X 2"		1
94	2205410	SHRINK-TUBE-.472 ID X 4"		1
▲	2327139	MANUAL, RT TERROVA 3 BL		1
▲	2327141	MANUAL-INSTALL GUIDE RT T3 BL		1
▲	2294950	INSTRUCTIONS,OBN & REMOTE PAIR		1
▲	2207130	BRUSHLESS QS SETUP GUIDE		1
▲	2297165	MANUAL-DISCLAIMER,DWNLOAD INFO		1
▲	2397115	GUIDE-QUICK REFERENCE iP 4.0		1

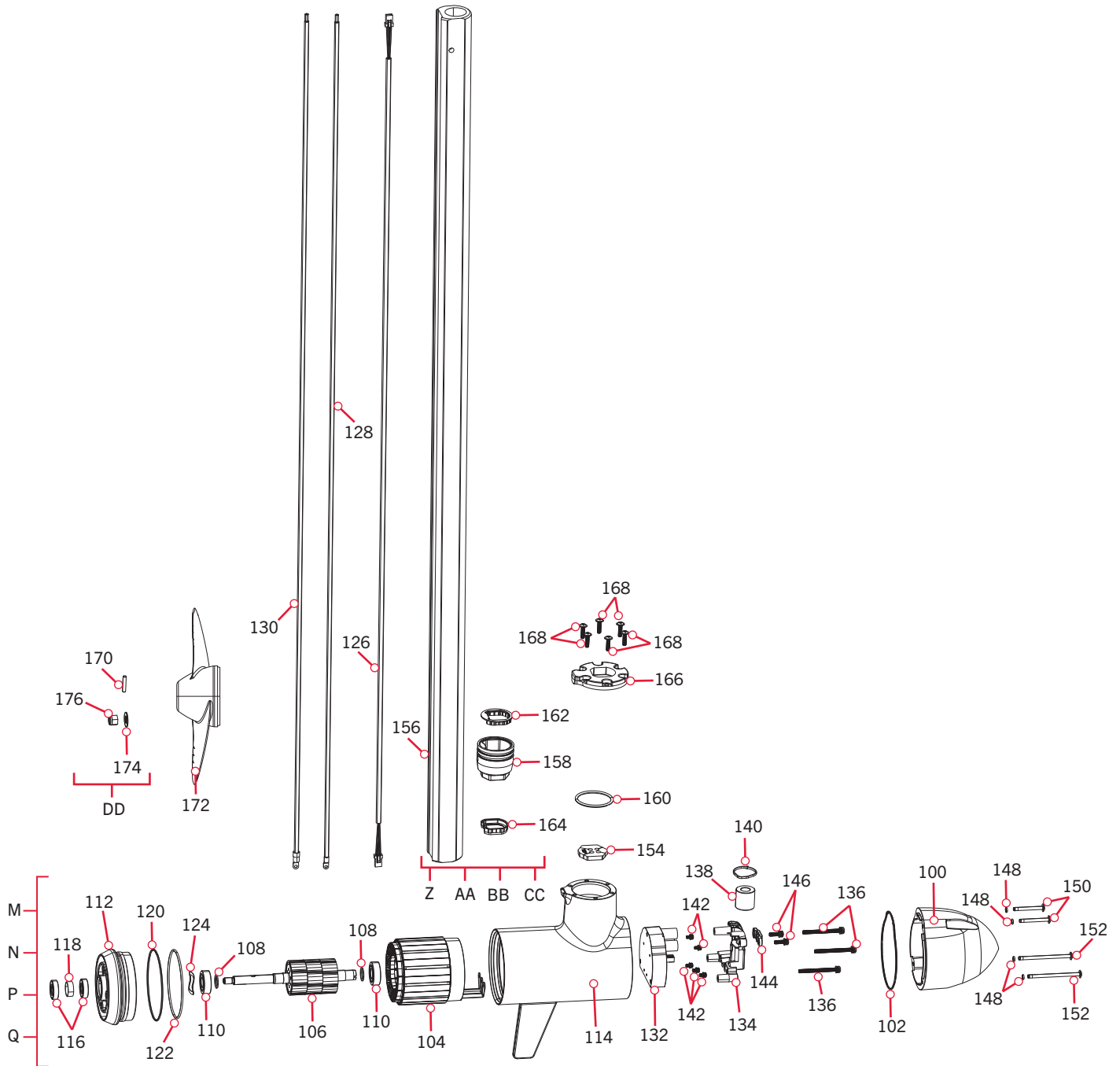
▲ Not shown on Parts Diagram.

✘ This part is included in an assembly and cannot be ordered individually.



RIPTIDE TERROVA QUEST MOTOR >

> 24/36 Volt 90/115 Thrust Motor Parts Diagram



PARTS DIAGRAM & PARTS LIST

▶ 24/36 Volt 90/115lb Thrust Motor Parts List

Assembly	Part #	Description	Notes	Quantity
M	2771050	MTR ASY 24/36V 90/115# NS 60"	*60"*	1
N	2771051	MTR ASY 24/36V 90/115# NS 72"	*72"*	1
P	2771052	MTR ASY 24/36V 90/115# NS 87"	*87"*	1
Q	2771053	MTR ASY 24/36V 90/115# NS 100"	*100"*	1
Z	2991065	SHAFT ASM 60" U2,T3 *60"*	*SHAFT* *60"*	1
AA	2991051	SHAFT ASM 72"INST,RT/T3 *72"*	*SHAFT* *72"*	1
BB	2991052	SHAFT ASM 87"INST,RT/T3 *87"*	*SHAFT* *87"*	1
CC	2991053	SHAFT ASM 100"INS,RT/T3 *100"*	*SHAFT* *100"*	1
DD	2992604	BAG ASSM, PROP HARDWARE		1
Item	Part #	Description	Notes	Quantity
100	421-168	FRONT ENDBELL, PLAIN, SW WHT PNT		1
102	880-032	SEAL-FRONT, BL MOTORS		1
104	✘	STATOR ASSEMBLY		1
106	✘	ROTOR ASSEMBLY		1
108	✘	WASHER BEARING		2
110	✘	BALL BEARING		2
112	✘	REAR ENDBELL, SW WHT PAINT		1
114	✘	CNTR HSG,MCH AFTR SW W.PNT		1
116	✘	SEAL		2
118	✘	PAPER TUBE - SEAL BORE		1
120	✘	O-RING		1
122	✘	O-RING		1
124	✘	WASHER-WAVE		1
126	195-032	CABLE-COM 22GA TWST PAIR 76.25	*60"*	1
	195-033	CABLE-COM 22GA TWST PAIR 87.63	*72"*	1
	195-034	CABLE-COM 22G TWST PAIR 102.63	*87"*	1
	195-035	CABLE-COM 22G TWST PAIR 111.38	*100"*	1
128	640-472	LEADWIRE RED 8 AWG 78.75"	*60"*	1
	640-483	LEADWIRE RED 6 AWG 90.13"	*72"*	1
	640-484	LEADWIRE RED 6 AWG 105.13"	*87"*	1
	640-485	LEADWIRE RED 6 AWG 118.13"	*100"*	1
130	640-422	LEADWIRE BLK 8 AWG 78.75"	*60"*	1
	640-433	LEADWIRE BLK 6 AWG 90.13"	*72"*	1
	640-434	LEADWIRE BLK 6 AWG 105.13"	*87"*	1
	640-435	LEADWIRE BLK 6 AWG 118.13"	*100"*	1
132	2994130	INVERTER ASM, 24/36V, BL		1
134	979-029	STRAIN RELIEF, BTM MACH		1

▲ Not shown on Parts Diagram.

✘ This part is included in an assembly and cannot be ordered individually.

PARTS DIAGRAM & PARTS LIST



Item	Part #	Description	Notes	Quantity
136	830-118	SCREW-DBL SEM M5X.8MMX60MM		3
138	2307318	FERRITE BEAD, BL		1
140	9953310	TIE WRAP-8.5"		1
142	830-120	SCREW-M4X .7X8 PPH ZPS		5
144	979-022	STRAIN RELIEF, TOP CAST		1
146	830-121	SCREW-M5 X .8X18 PPH ZPS		2
148	701-010	O-RING, SCREW		4
150	830-115	SCREW-FRONT, TOP, COATED, BL MTR		2
152	830-116	SCREW-FRONT, BTM COATED, BL MTR		2
154	880-042	SEAL-WIRE, BL MTR, PLAIN END		1
156	✘	TUBE-1CM, BLK 60", 1.5 X .875	*60"	1
	✘	TUBE-5CM, BLK 72", 1.5 X .75	*72"	1
	✘	TUBE-5CM, BLK 87", 1.5 X .75	*87"	1
	✘	TUBE-5CM, BLK 100", 1.5 X .75	*100"	1
158	✘	PLUG, COMP SHAFT, PAINTED		1
160	2294630	O-RING, 226, 70 SHORE A		1
162	✘	SEAL-TOP SHAFT, BRUSHLESS, CLR		1
164	✘	SEAL-LWR SHAFT, BRUSHLESS, CLR		1
166	2296432	PLATE, CLAMP, PAINTED		1
168	830-013	SCREW-M5 X .8 FSHCS SS CTD		6
170	2262659	PIN-DRIVE 1" X 3/16" SS 17-4		1
172	2321170	PROP, POWER REAMED		1
174	2091701	WASHER-PROP (LARGE) MAX101		1
176	2093101	NUT-PROP,NYLOC,LG,MX101 3/8 SS		1

▲ Not shown on Parts Diagram.

✘ This part is included in an assembly and cannot be ordered individually.

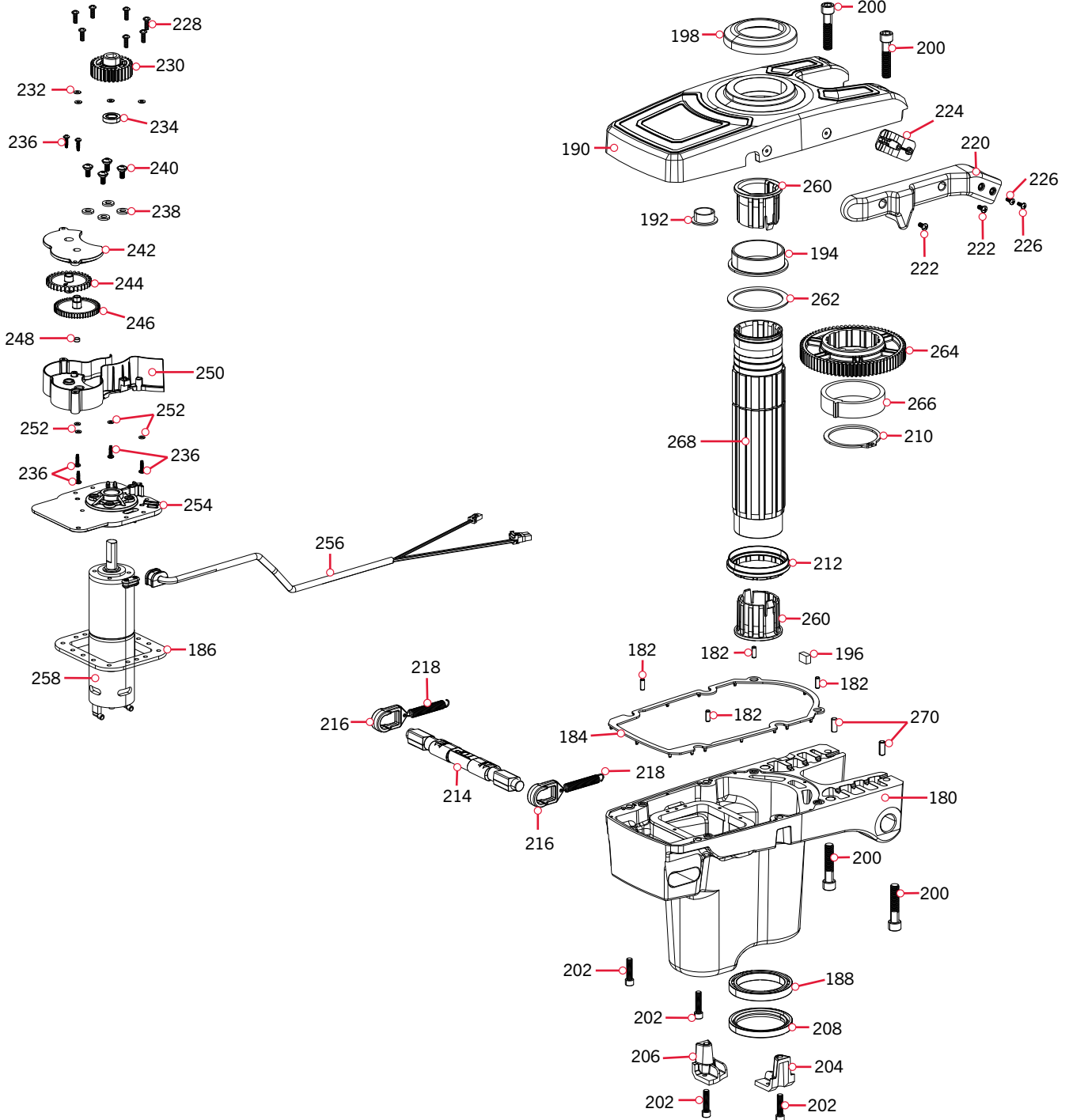


PARTS DIAGRAM & PARTS LIST

RIPTIDE TERROVA QUEST STEERING HOUSING

Steering Housing Parts Diagram

G



PARTS DIAGRAM & PARTS LIST

› Steering Housing Parts List

Assembly	Part #	Description	Quantity
G	2997067	STEERING HOUSING ASM, SW	1
Item	Part #	Description	Quantity
180	✘	HSG-BTM, STEERING,SW, WHT	1
182	✘	PIN-DOWEL, 3/16 X 1/2, SS	4
184	✘	SEAL,STEERING HSG SPLIT	1
186	✘	GASKET,MOTOR HOUSING, STR	1
188	✘	BRG, 55 X 72 X 9MM, SSTL	1
▲	9950433	TIE WRAP-4" BLACK(#21041)	1
190	✘	HOUSING, STEERING TOP, SW	1
192	✘	BUSHING, JFM-2023-11	1
194	✘	BUSHING,55MM, JFM-5560-50	1
196	✘	VENT FILTER, STEERING HOUSING	1
198	✘	SEAL, UMBRELLA	1
200	✘	SCREW-3/8-16 X 1.75 SHCS SS NYSHD	4
202	✘	SCREW-1/4-20X1,SHC,SS,NYSHIELD	4
204	✘	MOUNT, LATCH PIN SPRING, RIGHT	1
206	✘	MOUNT, LATCH PIN SPRING, LEFT	1
208	✘	SEAL, OUTPUT	1
210	✘	RETAINING RING, 2 3/8"	1
212	✘	GREASE CAP BEARING	1
214	✘	PIN-LATCH, OVERMOLDED	1
216	✘	CLEVIS, LATCH PIN	2
218	✘	SPRING, LATCH PIN	2
220	✘	SHROUD,STR WIRE,SW w/MGNT	1
222	✘	SCREW-#8-32 X 3/8 MACHINE	2
224	✘	PLATE-BACKUP,STR WIRE	1
226	✘	SCREW-#6 X .375 PLASTITE SS	2
228	✘	SCREW-#8-32 X 1/2 (SS)	7
230	✘	GEAR, 30 TOOTH , PINION STR	1
232	✘	WASHER-FLAT #6 S/S	4
234	✘	SEAL,ID 12MM, OD 20MM, T 5MM	1
236	✘	SCREW-#6 X 1/2" THRD FORM,SSTL	6
238	✘	O-RING, 3/16 ID X 3/8 OD	4
240	✘	SCREW-M5X.8X12,FLANGED BTN HD	4
242	✘	COVER, STEER SENSOR GEARS	1
244	✘	GEAR-TRIM, 14T	1

▲ Not shown on Parts Diagram.

✘ This part is included in an assembly and cannot be ordered individually.

PARTS DIAGRAM & PARTS LIST



Item	Part #	Description	Quantity
246	✘	GEAR-STEER SENSOR, 51T	1
248	✘	MAGNET, 1/4 X 1/8	1
250	✘	SENSOR,STR,ROTATIONAL,I/T	1
252	✘	SEALING WASHER, RUBBER	4
254	✘	PLATE, MOTOR MNT,STEERING	1
256	✘	STEERING CORD ASM	1
258	✘	MOTOR, 24 VDC, 1:130 GEARBOX	1
260	✘	BUSHING, OUTPUT TUBE, LWR	2
262	✘	WASHER-THRUST, OUTPUT TUBE	1
264	✘	GEAR,78 TOOTH,OUTPUT TUBE	1
266	✘	HUB, STEERING STOP, ANODIZED	1
268	✘	OUTPUT TUBE, ANDIZED	1
270	✘	PIN-DOWEL, 1/4" X 5/8" SS	2
▲	✘	O-RING, SAE-010, BUNA-N	1
▲	✘	SCREW-1/4-20X.313 PLASTIC	1

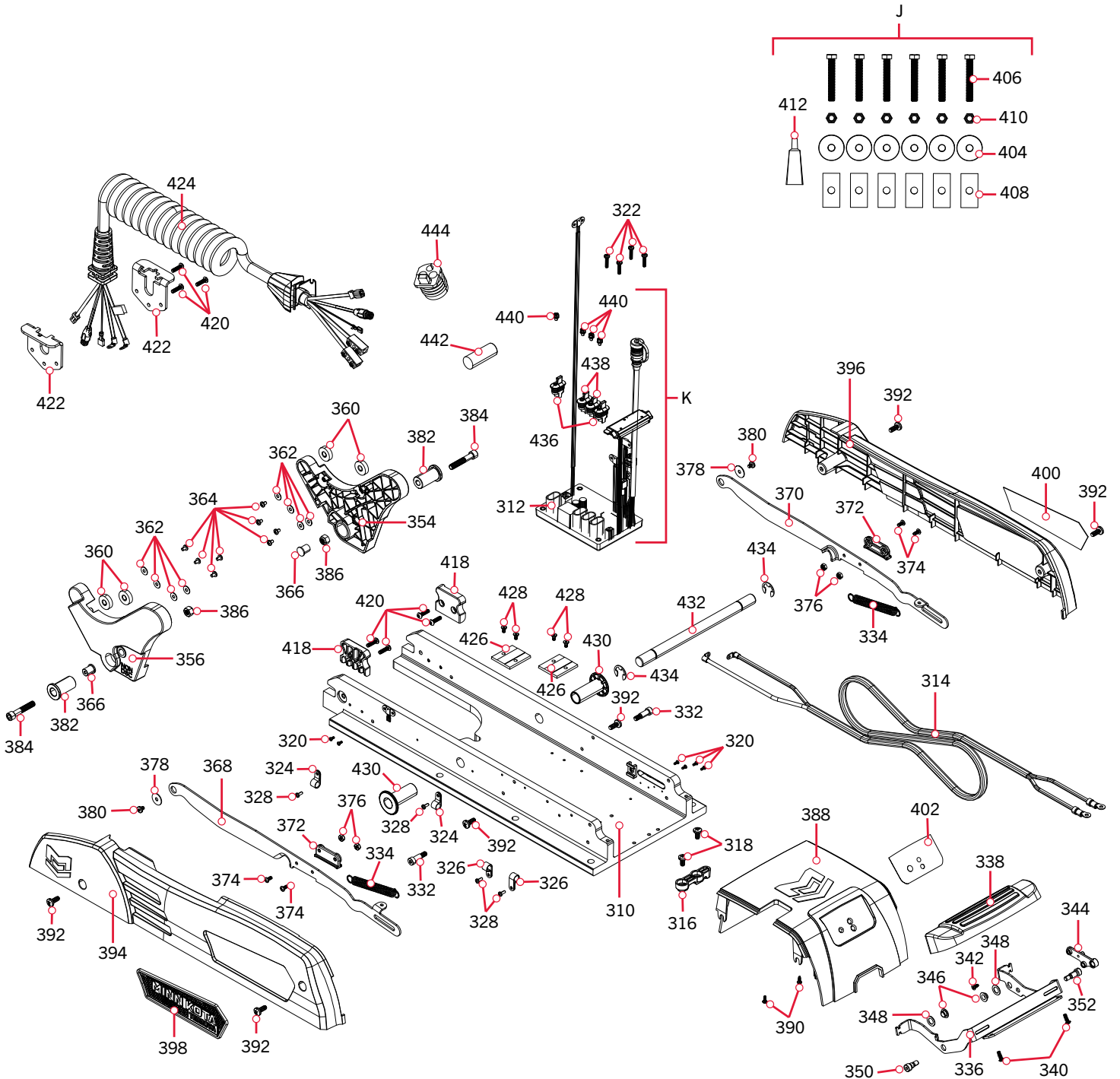
▲ Not shown on Parts Diagram.

✘ This part is included in an assembly and cannot be ordered individually.



RIPTIDE TERROVA QUEST MOUNT

Mount Parts Diagram



PARTS DIAGRAM & PARTS LIST

Mount Parts List

Assembly	Part #	Description	Notes	Quantity
J	2994948	BAG ASM, INSTINCT, T3 BL HDW		1
K	✘	RT TERROVA QUEST CONTROL BOARD		1
▲	2992372	STABILIZER BWMT ES TM w/CTN	*72"*87"*100**	1
Item	Part #	Description	Notes	Quantity
310	2321961	BASE PLATE, MACHINED, SW		1
312	2324065	PCBA, TERROVA 3 BRUSHLESS		1
314	2200625	LEADWIRE ASM, 8AWG, ULT 2		1
316	2202919	STRAIN RELIEF, POWER		1
318	2323405	SCREW-1/4-20 X 1/2" MCH SS		2
320	2203440	SCREW-#4-40 X 1/4 PPH SS		6
322	2373487	SCREW-#8-32 X 3/4" PPH MACH SS		4
324	2040721	CLAMP-CABLE 3/8"		2
326	2052510	CABLE CLAMP, 3/16", NYLON		3
328	2073414	SCREW-#6-32 X .375 PPH SS		5
330 ▲	2323442	SCREW-#10-24X 3/8,BHCS,SS		1
332	2323504	BOLT-SHDR,5/16X1/2X1/4-20		2
334	2322717	SPRING, RAIL EXTENSION		2
336	2320411	RELEASE LEVER, SW		1
338	2320231	COVER,RELEASE LEVER,SW		1
340	2383446	SCREW-#8-16 X .50" PLASTITE SS		2
342	2323421	SCREW-#8-18 X 1/2" PFH SS TY B		1
344	2998615	CARRIER-MGNT,LEVER w/MGNT		1
346	2327335	BUSHING GFI-0506-03		2
348	2321709	WASHER, 3/8 FLAT, NYLON		2
350	2323503	BOLT-SHDR,5/16X1/4X1/4-20		1
352	2323504	BOLT-SHDR,5/16X1/2X1/4-20		1
354	2323955	RAMP, DSC/NS, RIGHT		1
356	2323956	RAMP, DSC/NS, LEFT		1
▲	✘	BUSHING, RAMP PIVOT		2
360	2325115	PAD, RUBBER REST, BLACK		4
362	2321706	WASHER-FLAT #8 .50 OD/.188 SS		8
364	2323412	SCREW-#8-18 X .25 PPH SS TY B		8
366	2324706	INSERT-MOTOR RAMP,METAL,SS		2
368	2324220	SIDE RAIL,FORMED,LEFT,SS		1
370	2324221	SIDE RAIL,FORMED,RIGHT,SS		1
372	2323620	WEAR BAR, SIDE RAIL,PLSTC		2
374	2332100	SCREW-#8-32 X 3/8 MACHINE		4
376	2323111	NUT-#8-32 NYLOCK JAM SS		4

▲ Not shown on Parts Diagram.

✘ This part is included in an assembly and cannot be ordered individually.

PARTS DIAGRAM & PARTS LIST



Item	Part #	Description	Notes	Quantity
378	2321700	WASHER #10 SS		2
380	2323422	SCREW-#10-24 X .25" PPH SS MCH		2
382	2323300	PIVOT, RAMP		2
384	2323444	SCREW-5/16-18 X 1.75 SHCS,SS		2
386	2223100	NUT-5/16-18 NYLOCK S/S		2
388	2326556	HOUSING-CONTROL, WHITE		1
390	2372103	SCREW-#6 X .375 PLASTITE SS		2
392	2332104	SCREW-1/4-20 X 5/8 S/S		6
394	2323941	SIDEPLATE, LEFT, SW		1
396	2323946	SIDEPLATE, RIGHT, SW		1
398	2325533	DECAL, SIDEPLATE, LEFT SW		1
400	2325532	DECAL, SIDEPLATE, RIGHT SW		1
402	2325551	DECAL-PWR SWTCH, SW, WHT, T3		1
404	2321710	WASHER, RUBBER MOUNT		6
406	2323440	SCREW-3/8-16 X 2 1/2 HHCS SS		6
408	2371796	BACKUP BAR 3/16 X 1 X 2		6
410	2383122	NUT 3/8-16 NYLON INST LOCKNUT		6
412	2378608	ANTI SEIZE TUBE, 4CC, TALON		1
418	2323211	STOP-DEAD, DEPLOY		2
420	2383469	SCREW-#10-24 X 3/4,SS,BHCS		7
422	2320825	BRACKET, COIL CORD		2
▲	2322905	MOUNT, CABLE TIE		1
424	2991245	COIL CORD ASM 45" - 60"	*60"*	1
	2991246	COIL CORD ASM 72"	*72"*	1
	2991247	COIL CORD ASM 87"	*87"*	1
	2991248	COIL CORD ASM 100"	*100"*	1
426	2323210	STEERING STOP, UHMWPE		2
428	2323443	SCREW-#8-32X3/8, SS, BHCS		4
430	2207311	BUSHING, STEER HSG PIVOT		2
432	2322605	PIN, PIVOT		1
434	2373013	E-RING, EXTERNAL SS .625, HNDL		2
436	2294610	SEAL,PCBA TRMNL GRAY .215		2
438	2294611	SEAL,PCBA TERMNL BLK .270		2
440	830-123	SCREW-M4X .7X8MM HEX DBL		4
442	2205412	SHRINK TUBE-.75 ID X 2"		1
444	2206721	PLUG-WIRE, ROUND	*87"* *100"*	1
▲	9950433	TIE WRAP-4" BLACK(#21041)		1
▲	2325560	DECAL,STOW,TERROVA 3 BL		1
▲	2006819	LABEL-CARTON "CAUTION HEAVY"		1

▲ Not shown on Parts Diagram.

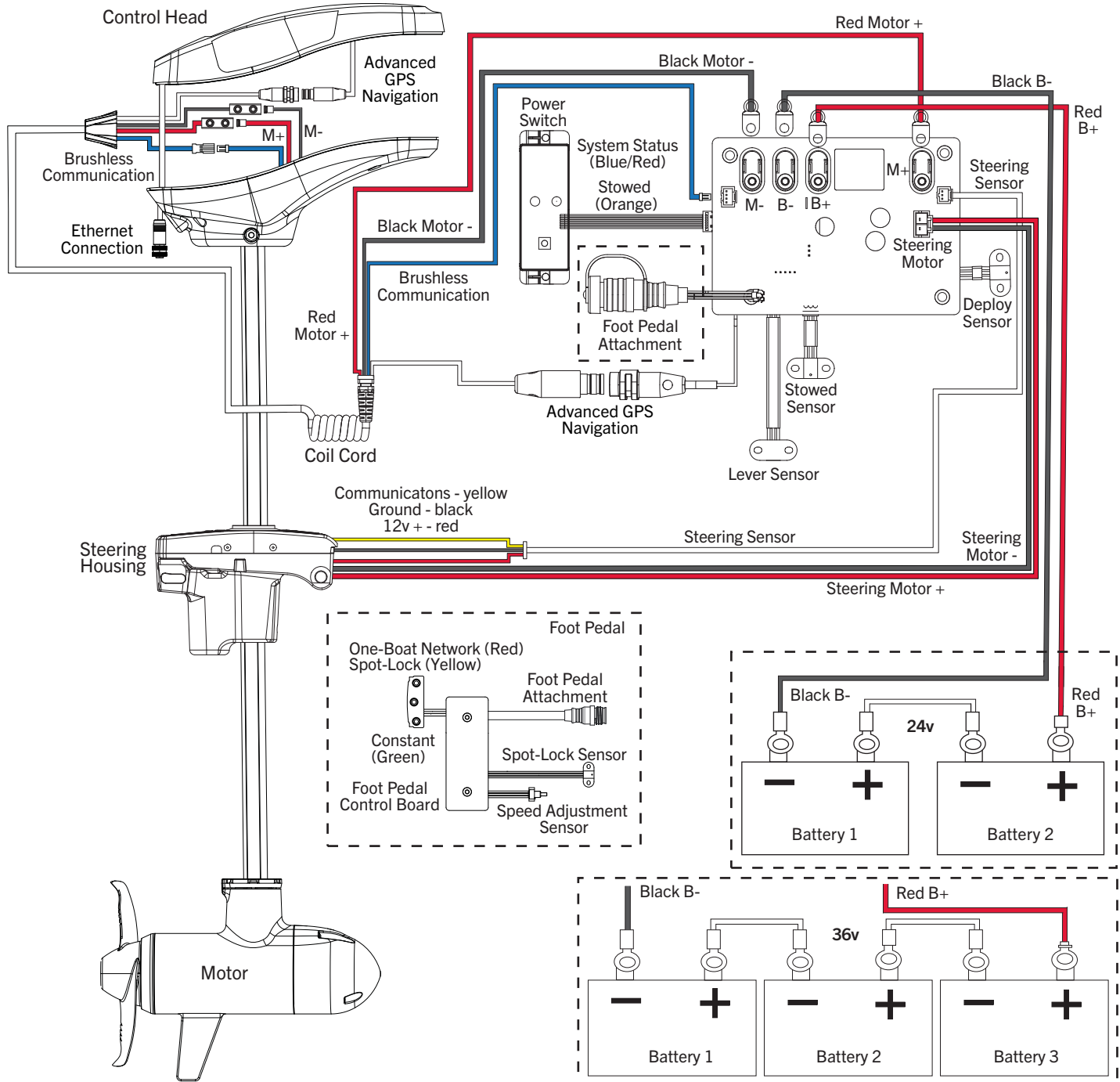
* This part is included in an assembly and cannot be ordered individually.



MOTOR WIRING DIAGRAM

RIPTIDE TERROVA QUEST

The following Motor Wiring Diagram applies to all QUEST series Riptide Terrova trolling motor models that come factory installed with Advanced GPS Navigation.



NOTICE: This is a multi-voltage diagram. Double-check your motor's voltage for proper connections. Over-Current Protection Devices are not shown in this illustration.