

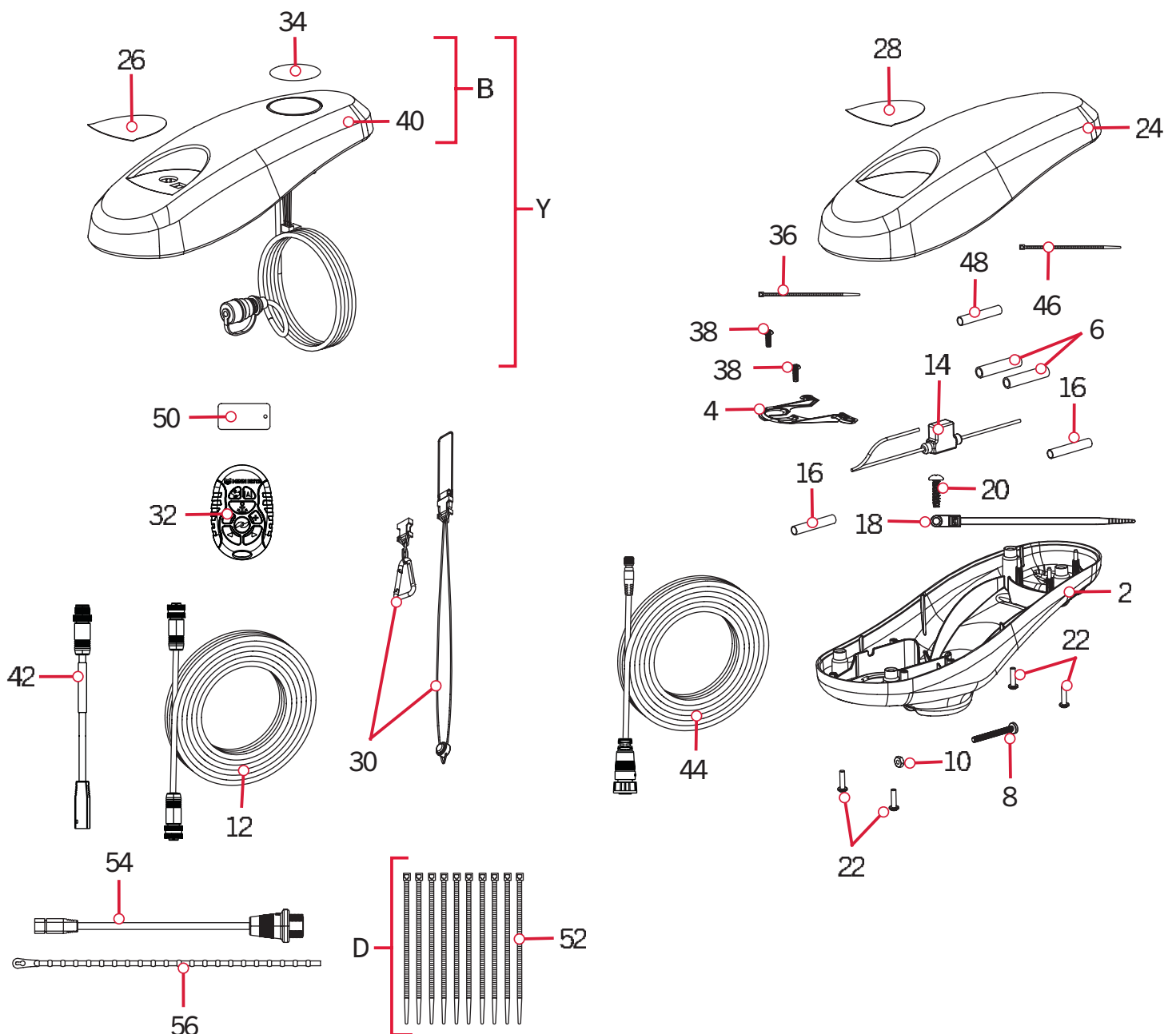
PARTS DIAGRAM & PARTS LIST

POWERDRIVE - 42/45/50/55/70 LBS THRUST - 12/24 VOLT - 48"/54"/60" SHAFT

The parts diagram and parts list provides Minn Kota® WEEE compliance disassembly instructions. For more information about where you should dispose of your waste equipment for recycling and recovery and/or your European Union member state requirements, please contact your dealer or distributor from which your product was purchased. Tools required, but not limited to: flat head screwdriver, Phillips screwdriver, socket set, pliers, wire cutters.

POWERDRIVE CONTROL HEAD >

> Control Head Parts Diagram



PARTS DIAGRAM & PARTS LIST

Control Head Parts List

Assembly	Part #	Description	Notes	Quantity
B	2770242	COV KIT, ADV GPS NAV, TRV/UTX	*COVER & DECALS ONLY* *GPS*	1
Y	2774108	CONTROLLER, ADV GPS NAV, PD	*GPS*	1
D	2996300	TIE WRAP ASM, 60"	*GPS*	1
Item	Part #	Description	Notes	Quantity
2	2292505	CONTROL BOX		1
4	2224706	PLUG, SCREW-DOWN, BLK		1
6	2065400	WIRE INSULATOR-LGE 1-3/4,BLUE		2
8	2383407	SCREW-#10-24 X 2" PPH ZINC		1
10	2013110	NUT-HEX #10-24 UNC-2B (ZCP)		1
12	490384-4	CABLE, ETHERNET (M12-M12) 30'	*GPS*	1
14	2218201	FUSE HOLDER ASSEMBLY	*55LB* *70LB*	1
16	2375400	SHRINK TUBE-1/40D X 1-3/4		2
18	2206302	TIE WRAP, SCREW MOUNT 6.3"	*DSC* *GPS*	1
20	2203441	SCREW-#6 X 1/2" THRD FORM,SSTL	*DSC* *GPS*	1
22	2372100	SCREW-#8-18 X 5/8 THD (SS)	*GPS*	4
	2012100	SCREW-#8-18 X 5/8 THD CUT Z/P	*NON GPS*	4
24	2290217	CVR, CTRL BOX, V3 PRINTED	*NON GPS*	1
26	2395577	DECAL, PUSH BUTTON TOP, 70 lb, PD, FW	*70LB THRUST* *GPS*	1
	2395576	DECAL, PUSH BUTTON TOP, 55 lb, PD, FW	*55LB THRUST* *GPS*	1
	2395575	DECAL, PUSH BUTTON TOP, 45 lb, PD, FW	*45LB THRUST* *GPS*	1
28	2395549	DECAL,CTRL DECAL TOP, 70 lb, PD, FW	*70LB THRUST*	1
	2395559	DECAL, CTRL DECAL TOP, 50 lb, PD, FW	*50LB THRUST*	1
	2395557	DECAL, CTRL DECAL TOP, 55 lb, PD, FW	*55LB THRUST*	1
	2395556	DECAL, CTRL DECAL TOP, 45 lb, PD, FW	*45LB THRUST*	1
	2395558	DECAL, CTRL DECAL TOP, 42 lb, PD, FW	*42LB THRUST*	1
30	2390802	LANYARD W/CARABINR, IP RMT	*GPS*	1
32	2994175	REMOTE ASM, MICRO REMOTE	*GPS*	1
34	2395524	DECAL,DOMED iP LNK 4.0 FW	*GPS*	1
▲	2317126	INSTRC-INSTALL, POWERDRIVE FW		1
▲	2297165	MANUAL-DISCLAIMER,DWNLOAD INFO		1
▲	2317124	MANUAL, POWERDRIVE FW		1
▲	2394910	INSTRC. SHEET, MICRO REMO	*GPS*	1
▲	2394912	QCK REF.GUIDE, iP MICRO RMT BT	*GPS*	1
36	2256300	TIE WRAP-5.5" BLACK	*DSC* *GPS* *DSC GPS*	1
38	2372103	SCREW-#6 X .375 PLASTITE SS		2

▲ Not shown on Parts Diagram.

* This part is included in an assembly and cannot be ordered individually.

PARTS DIAGRAM & PARTS LIST



Item	Part #	Description	Notes	Quantity
40	✘	COVER,CTRL BOX iP, PD PRINTED	*GPS* *SEE ASSEMBLY B*	1
42	490384-4	CABLE, ETHERNET (M12-M12) 30'	*GPS*	1
44	490575-3	CABLE ADPTR, 14 PIN, 110" - DSC	*DSC*	1
46	2206301	TIE WRAP LOW PROFILE 8"	*GPS*	1
48	2325401	SHRINK TUBE-3/4 ID X 2" W ADHS		1
50	2394110	TAG, MICRO REMOTE		1
52	2206300	TIE WRAP, LOW PROFILE 4"		10
▲	2294950	OBN & REMOTE PAIR INSTRUCT		1
54	2994961	BAG ASM, CABLE ADPT, 490537-2	*490537-2* *MKR-MI-1*	1
▲	2207131	STANDARD QS SETUP GUIDE		1
56	2206304	TIE WRAP, REUSABLE		1

▲ Not shown on Parts Diagram.

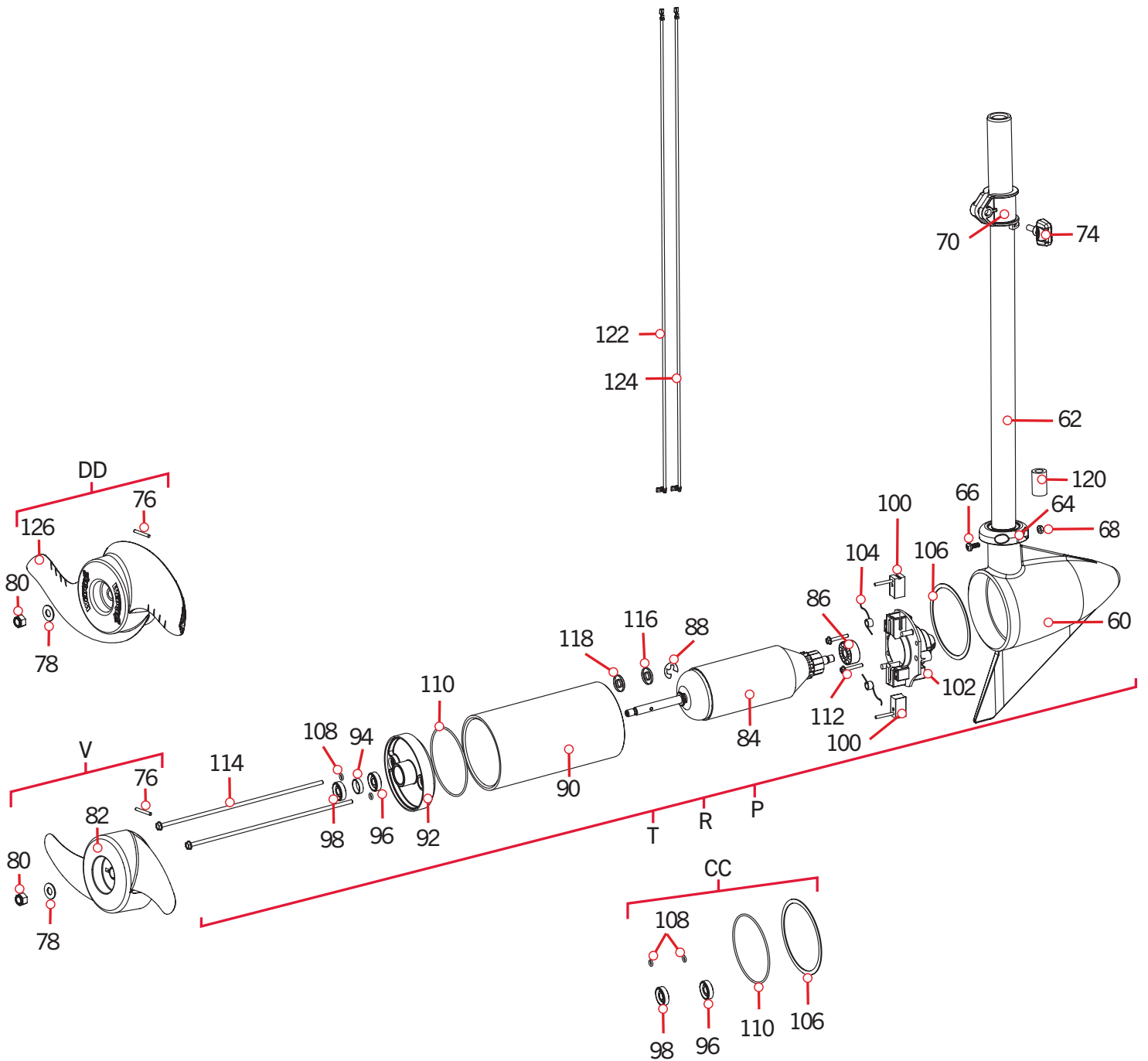
✘ This part is included in an assembly and cannot be ordered individually.



PARTS DIAGRAM & PARTS LIST

POWERDRIVE MOTOR >

> 12 Volt 3.25" 42/45lb Thrust Motor Parts Diagram



PARTS DIAGRAM & PARTS LIST

▶ 12 Volt 3.25" 42/45lb Thrust Motor Parts List

Assembly	Part #	Description	Notes	Quantity
P	2069289	MTR ASY 12V 3.25 VS FW 45# BB	*45LB 54"*	1
R	2069283	MTR ASY 12V 3.25 VS FW 45	*45LB 48"*	1
T	2069233	MTR ASY 12V 3.25 VS FW 42# BB	*42LB 54"*	1
V	1378121	PROP IND 2061122 (PWR PROP)		1
CC	2883460	SEAL & O-RING KIT		1
DD	1378126	PROP IND 2061125 WDLS WDG	*NOT INCLUDED FROM THE FACTORY*	1
Item	Part #	Description	Notes	Quantity
60	421-132	HSG BRUSH END 3.25		1
62	2032076	TUBE COMPOSITE 54" PD/AP	*42LB 54"* *45LB 54"*	1
	2032075	TUBE COMPOSITE 48" PD/AP	*45LB 48"*	1
64	2301555	COLLAR-LATCH, PD/AP		1
66	2303434	SCREW-#8-32 X 5/8 MACH PHCR SS		1
68	2303112	NUT-#8-32 NYLOCK SS		1
70	2031522	COLLAR DRIVE (W/INSERT)		1
74	2011365	SCREW-COLLAR/NEW KNOB		1
76	2092600	PIN-DRIVE 1.06" LG (SS)		1
78	2151726	WASHER-5/16 STD (S/S)		1
80	2053101	NUT-PROP,NYLOC (MED) 5/16 SS		1
82	2061122	PROP-POWER (3.25")		1
84	2-100-202	ARMATURE AS SY 12V 3.25		1
86	140-010	BALL BEARING		1
88	788-015	RETAINING RING	*3.25*	1
90	2-200-079	CTR HSG ASY 3.25 TX-MAGNT		1
92	2-400-128	PLAIN END HSG ASY 3.25		1
94	144-049	BEARING - FLANGE (SERVICE ONLY)		1
96	880-003	SEAL		1
98	880-006	SEAL WITH SHIELD		1
100	188-052	BRUSH ASSEMBLY 3.25		2
102	738-030	BRUSH PLATE 3.25		1
104	975-032	SPRING - COMPRESSION 3.25		2
106	701-041	O-RING MEDIUM 3.25		1
108	701-007	O-RING	*THRU BOLT*	2
110	701-039	O-RING SMALL 3.25		1
112	830-001	SCREW-#8-32x1.75 SELF-THRD		2
114	830-078	THRU BOLT 8-32 X 8.96		2

▲ Not shown on Parts Diagram.

* This part is included in an assembly and cannot be ordered individually.

PARTS DIAGRAM & PARTS LIST



Item	Part #	Description		Quantity
116	990-067	WASHER - STEEL THRUST		1
118	990-070	WASHER - NYLATRON		1
120	2307314	BEAD-FERRITE	*45LB 54"*	1
122	640-104M	LEADWIRE RED 10AWG 48"	*42LB 54"* *45LB 48"*	1
	640-107M	LEADWIRE RED 10A 65 1/2	*45LB 54"*	1
124	640-003M	LEADWIRE BLK 10AWG 48"	*42LB 54"* *45LB 48"*	1
	640-008M	LEADWIRE BLK 10A 63 1/2	*45LB 54"*	1
126	2061125	PROP (65 WEEDLESS WEDGE)	*NOT INCLUDED FROM THE FACTORY*	1

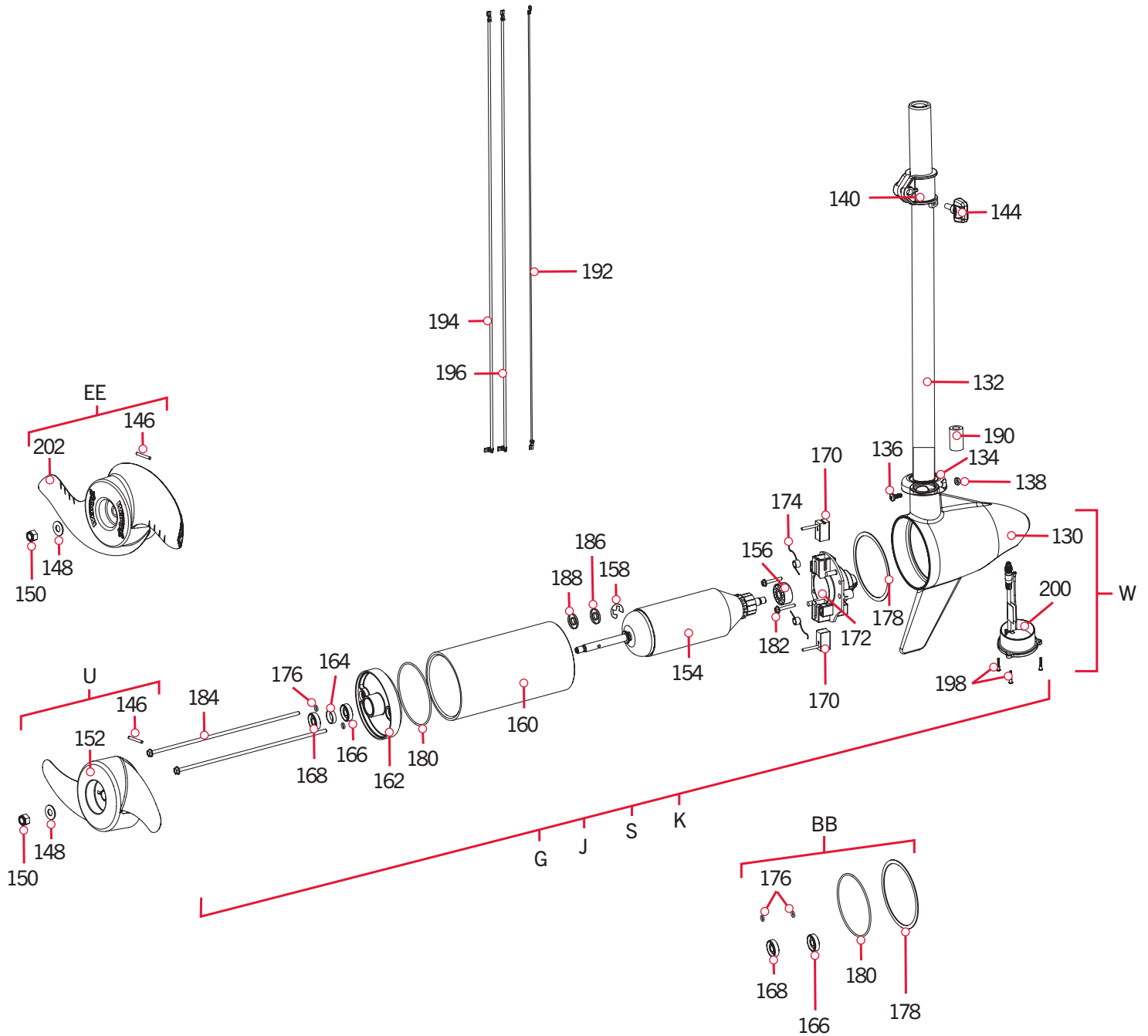
▲ Not shown on Parts Diagram.

✘ This part is included in an assembly and cannot be ordered individually.



PARTS DIAGRAM & PARTS LIST

▶ 12 Volt 3.625" 50/55lb Motor Parts Diagram



PARTS DIAGRAM & PARTS LIST

› 12 Volt 3.625" 50/55lb Motor Parts List

Assembly	Part #	Description	Notes	Quantity
J	2097090	MTR ASY 12V 3.62 VS FW 55#	*55LB 54"*	1
K	2437090	MTR ASY 12V 3.62 55#	*55LB 54"* *DSC*	1
S	2097034	MTR ASY 12V 3.62 VS 50#	*50LB 54"*	1
G	2097072	MTR ASY 12V 3.62 VS FW 55#	*55LB 48" PONTOON*	1
U	1378170	PROP KIT 2091170 PWR PRP		1
EE	1378131	PROP IND 2091160 (WDL5 WDGII)	*NOT INCLUDED FROM THE FACTORY*	1
W	2993081	PLN END HSG/TRDC 3.62 DSC	*DSC* *54"*	1
BB	2888460	SEAL & O-RING KIT		1
Item	Part #	Description	Notes	Quantity
130	421-065	HSG BRUSH END 3.625		1
	✘	BRUSH END HSG 3.625,US2.5	*DSC*	1
132	2032076	TUBE COMPOSITE 54" PD/AP		1
	2302075	TUBE COMPOSITE 48" PD/AP 2001	*55LB 48" PONTOON*	1
134	2301555	COLLAR-LATCH, PD/AP		1
136	2303434	SCREW-#8-32 X 5/8 MACH PHCR SS		1
138	2303112	NUT-#8-32 NYLOCK SS		1
140	2031522	COLLAR DRIVE (W/INSERT)		1
144	2011365	SCREW-COLLAR/NEW KNOB		1
146	2092600	PIN-DRIVE 1.06" LG (SS)		1
148	2151726	WASHER-5/16 STD (S/S)		1
150	2053101	NUT-PROP,NYLOC (MED) 5/16 SS		1
152	2091170	PROP-PRW (3 5/8") REAMED		1
154	92-100-121	ARM ASY 12V 3.62 55#2.88"		1
156	140-010	BALL BEARING		1
158	788-015	RETAINING RING		1
160	92-200-101	CTR HSG ASY 3.625 TX-MGNTZ		1
162	92-400-101	PLAIN END HSG ASY 3.625		1
164	144-049	BEARING - FLANGE	*SERVICE ONLY*	1
166	880-003	SEAL		1
168	880-006	SEAL WITH SHIELD		1
170	188-036	BRUSH ASSEMBLY 3.625		2
172	738-036	BRUSH PLATE 3.625		1
174	975-040	SPRING - TORSION 3.625		2
176	701-008	THRU BOLT O-RING		2
178	337-036	GASKET		1

▲ Not shown on Parts Diagram.

✘ This part is included in an assembly and cannot be ordered individually.

PARTS DIAGRAM & PARTS LIST



Item	Part #	Description		Quantity
180	701-081	O-RING		1
182	830-007	SCREW, # 8-32		2
184	830-042	THRU BOLT 10-32 X 8.83		2
186	990-067	WASHER - STEEL THRUST		1
188	990-070	WASHER - NYLATRON		1
190	2307314	BEAD-FERRITE 50LB	*50LB 54"*	1
	2307317	FERRITE BEAD, SHORT	*55LB 54"*	1
192	640-315	LEADWIRE BROWN 18 AWG 62" GPT	*DSC*	1
194	640-107	LEADWIRE RED 10AWG 65-1/2" GPT 55LB	*55LB 54"*	1
	640-109	LEADWIRE RED 10 AWG 72 GPT 50LB	*50LB 54"*	1
	640-105M	LEADWIRE RED 10AWG 58 GPT	*55LB 48" PONTOON*	1
196	640-008	LEADWIRE BLK 10AWG 63-1/2" GPT 55LB	*55LB 54"*	1
	640-010	LEADWIRE BLK 10 AWG 70 GPT 50LB	*50LB 54"*	1
	640-004M	LEADWIRE BLK 10 AWG 56 GPT	*55LB 48" PONTOON*	1
198	✘	SCREW-#6-32X1/2"TORX PH SS	*DSC*	3
200	✘	XCSC XDUCER ASSY 67" HWT	*DSC*	1
202	2091160	PROP-WW2 (3.625") REAMED	*NOT INCLUDED FROM THE FACTORY*	1

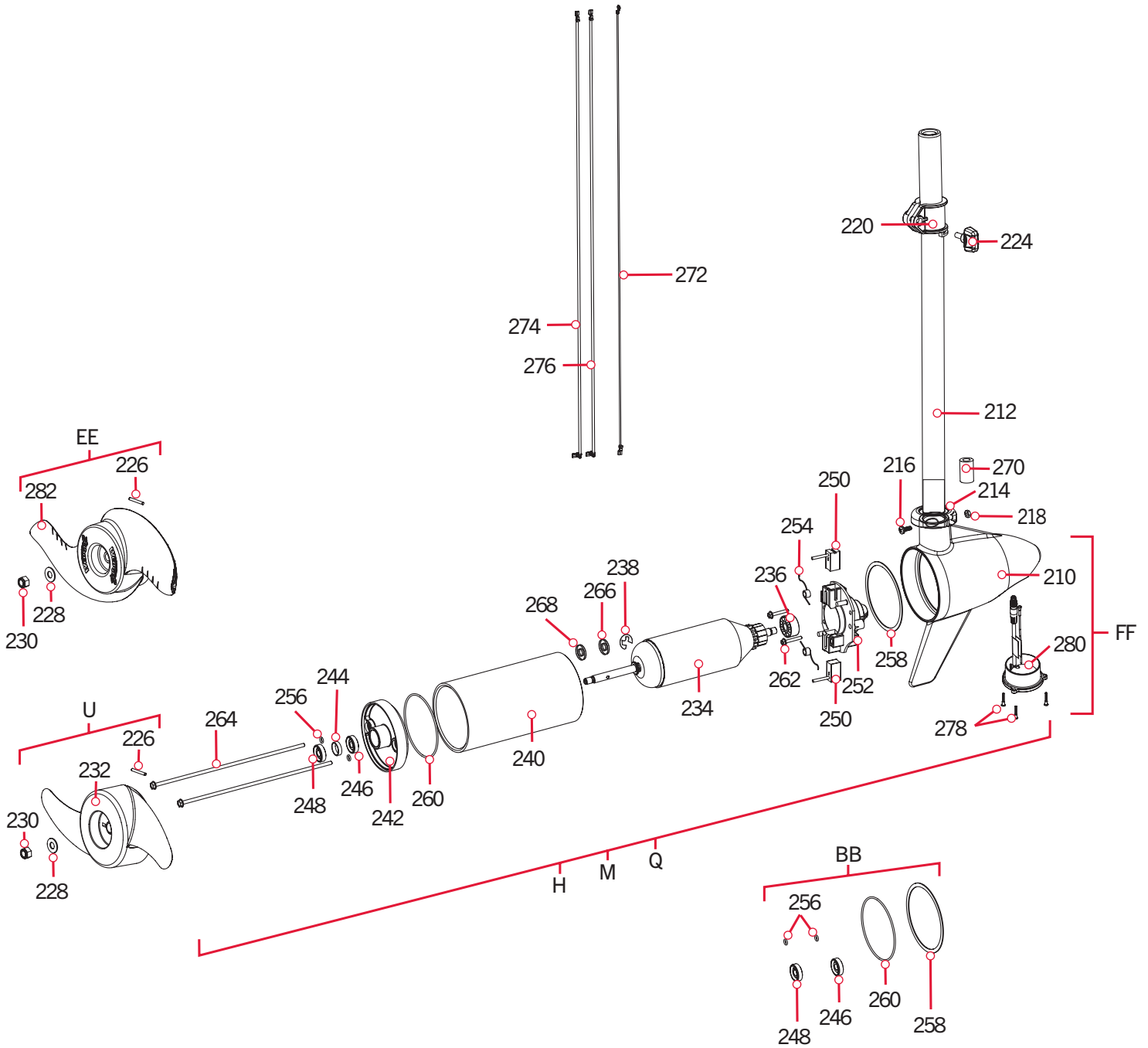
▲ Not shown on Parts Diagram.

✘ This part is included in an assembly and cannot be ordered individually.



PARTS DIAGRAM & PARTS LIST

24 Volt 3.625" 70lb Motor Parts Diagram



PARTS DIAGRAM & PARTS LIST

▶ 24 Volt 3.625" 70lb Motor Parts List

Assembly	Part #	Description		Quantity
H	2437095	MTR ASY 24V 3.62" 70# DSC	*70LB 60" DSC* *70LB 60" DSC GPS*	1
Q	2096067	MTR ASY 24V 3.62 VS 70# FW	*70LB 48" PONTOON*	1
M	2886032	MTR ASY 24V 3.62 VS 70#FW	*70LB 54" GPS* *70LB 60"	1
FF	2993082	PLN END HSG/TRDC 3.62 DSC	*DSC* *60"	1
U	1378170	PROP KIT 2091170 PWR PRP		1
EE	1378131	PROP IND 2091160 (WDLS WDGII)	*NOT INCLUDED FROM THE FACTORY*	1
BB	2888460	SEAL & O-RING KIT		1
Item	Part #	Description		Quantity
210	✘	BRUSH END HSG 3.625,US2.5	*DSC*	1
	421-065	HSG BRUSH END 3.625		1
212	2032074	TUBE COMPOSITE 60" PD/AP	*60"	1
	2032076	TUBE COMPOSITE 54" PD/AP	*54"	1
	2032075	TUBE COMPOSITE 48" PD/AP 2001	*70LB 48" PONTOON*	1
214	2301555	COLLAR-LATCH, PD/AP		1
216	2303434	SCREW-#8-32 X 5/8 MACH PHCR SS		1
218	2303112	NUT-#8-32 NYLOCK SS		1
220	2031522	COLLAR DRIVE (W/INSERT)		1
224	2011365	SCREW-COLLAR/NEW KNOB		1
226	2092600	PIN-DRIVE 1.06" LG (SS)		1
228	2151726	WASHER-5/16 STD (S/S)		1
230	2053101	NUT-PROP,NYLOC (MED) 5/16 SS		1
232	2091170	PROP-PWR (3 5/8") REAMED		1
234	92-100-128	ARMATURE ASM 24V 3.62",70		1
236	140-010	BALL BEARING		1
238	788-015	RETAINING RING	*3.625*	1
240	92-200-005	CTR HSG ASY 3.625 FW-MAGNET		1
242	92-400-101	PLAIN END HSG ASY 3.625		1
244	144-049	BEARING - FLANGE	*SERVICE ONLY*	1
246	880-003	SEAL		1
248	880-006	SEAL WITH SHIELD		1
250	188-038	BRUSH ASSEMBLY 3.625		2
252	738-038	BRUSH PLATE, 3.625", 70#		1
254	975-042	SPRING-TORSION, 70# LOWER UNIT		2
256	701-008	THRU BOLT O-RING		2
258	337-036	GASKET		1

▲ Not shown on Parts Diagram.

✘ This part is included in an assembly and cannot be ordered individually.

PARTS DIAGRAM & PARTS LIST



Item	Part #	Description		Quantity
260	701-081	O-RING		1
262	830-007	SCREW, # 8-32		2
264	830-008	THRU BOLT 10-32 x 9.205		2
266	990-067	WASHER - STEEL THRUST		1
268	990-070	WASHER - NYLATRON		1
270	2307314	BEAD-FERRITE	*70LB 54"*	1
272	640-316	LEADWIRE BROWN 18 AWG 71" GPT	*70LB 60"*	1
	640-315	LEADWIRE BROWN 18 AWG 62" GPT	*70LB 54"* *70LB 48" PONTOON*	1
274	640-106	LEADWIRE RED 10 AWG 64 GPT	*70LB 54"*	1
	640-109	LEADWIRE RED 10AWG	*70LB 60"*	1
	640-105	LEADWIRE RED 10 AAWG 58 GPT	*70LB 48" PONTOON*	1
276	640-008	LEADWIRE BLK 10AWG 63-1/2" GPT	*70LB 54"*	1
	640-010	LEADWIRE BLK 10 AWG 70 GPT	*70LB 60"*	1
	640-005	LEADWIRE BLK 10 AWG 75 GPT	*70LB 48" PONTOON*	1
278	✘	SCREW-#6-32X1/2"TORX PH SS	*DSC*	3
280	✘	DSC XDUCER ASSY 73" HW T	*DSC*	1
282	2091160	PROP-WW2 (3.625") REAMED	*NOT INCLUDED FROM THE FACTORY*	1

▲ Not shown on Parts Diagram.

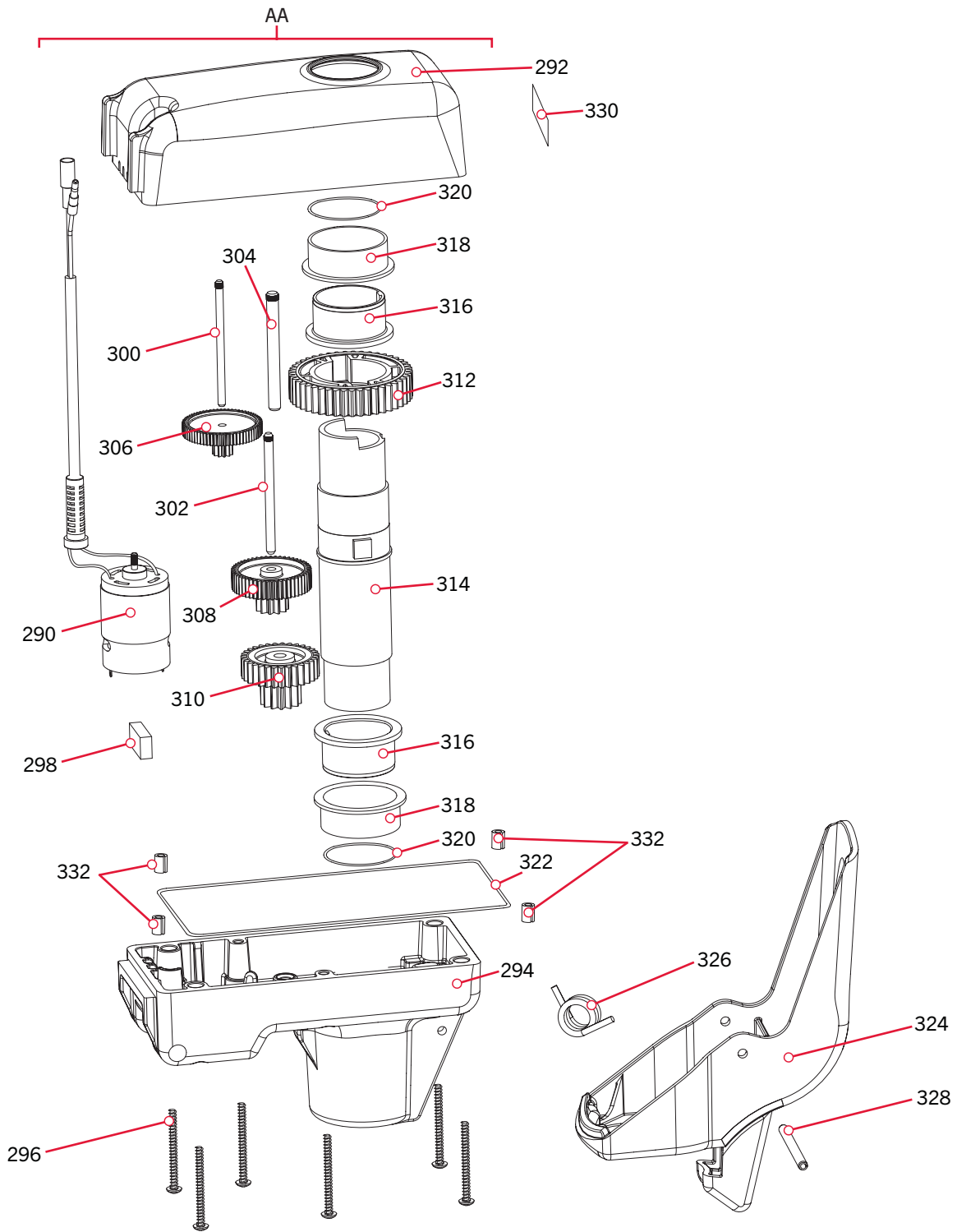
✘ This part is included in an assembly and cannot be ordered individually.



PARTS DIAGRAM & PARTS LIST

POWERDRIVE STEERING HOUSING >

> Steering Housing Parts Diagram





› Steering Housing Parts List

Assembly	Part #	Description	Notes	Quantity
AA	2991836	DRIVE HOUSING ASSY, PD		1
Item	Part #	Description	Notes	Quantity
290	2777050	MOTOR DR.HSG PD/AP 12,24V		1
292	2302541	CASE-UPPER,ALUM,FW,PAINTED		1
294	2302561	CASE-LOWER, ALUM, FW, PAINTED		1
296	2303408	SCREW-#8-32 TYPE F TORX PH SS		6
298	2308601	BREATHER FILTER, DR.HOUSING		1
300	2302610	SHAFT-GEAR, FIRST CLUSTER		1
302	2302615	SHAFT-GEAR,INTERMED.CLUSTER		1
304	2302620	SHAFT-GEAR, THIRD CLUSTER		1
306	2302245	GEAR & PINION,DR. HSG, STAGE 2		1
308	2302250	GEAR & PINION,DR. HSG, STAGE 3		1
310	2302255	GEAR & PINION,DR. HSG, STAGE 4		1
312	2302260	GEAR-OUTPUT SHAFT,STG 5		1
314	2302010	SHAFT-OUTPUT, DR.HOUSING		1
316	2307304	BUSHING-INNER, UPPER/LOWER		2
318	2307305	BUSHING-OUTER, UPPER/LOWER		2
320	2304603	O-RING-SHAFT SEAL UPPER/LOW		2
322	2304604	O-RING-CASE SEAL		1
324	2307201	LEVER,GRIP GLIDE II		1
326	2302750	SPRING-LATCH,TORSION,PD/AP,S/S		1
328	2302627	PIN-ROLL,3/16 X 2.5" ZP		1
330	2315615	DECAL-STOW/DEPLOY,PWRDRV3		1
332	2302605	PIN-ROLL 5/16" X 1/2"		4

▲ Not shown on Parts Diagram.

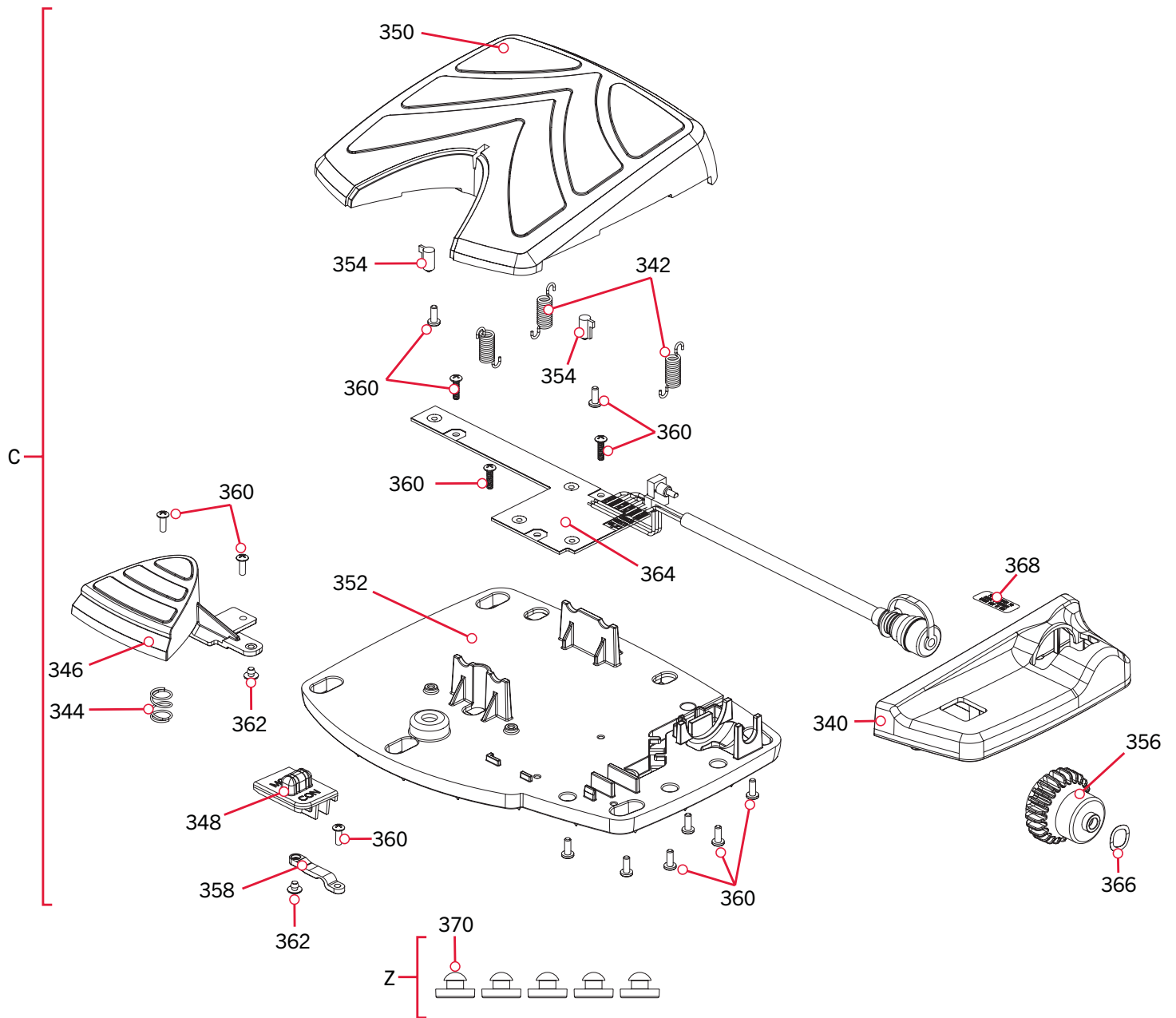
✘ This part is included in an assembly and cannot be ordered individually.



PARTS DIAGRAM & PARTS LIST

POWERDRIVE FOOT PEDAL >

> Foot Pedal Parts Diagram





► Foot Pedal Parts List

Assembly	Part #	Description	Notes	Quantity
C	2994728	FOOT PEDAL ASSEMBLY, PD		1
Z	2994859	BAG ASY-TERROVA/V2,RUB.BUMPERS		1
Item	Part #	Description	Notes	Quantity
340	2300275	COVER-SPEED SELECTOR,PD FP,BLK		1
342	2302730	SPRING-LONG-UPPER PEDAL		3
344	2302732	SPRING-LOWER PEDAL S/S		1
346	2303725	BUTTON-MOMENTARY, PD FP, BLK		1
348	2303730	BUTTON-MOM/CON, PD FP, BLK		1
350	2304406	PEDAL-FOOT, UPPER, POWERDRIVE		1
352	2304508	BASE, PEDAL PD		1
354	2305136	BUMPER,STRG RCKR,PD FP,RUBBER		2
356	2307905	WHEEL-SPEED, PD FP, BLK		1
358	2308609	SWITCH LEVER, SINGLE		1
360	2302105	SCREW #6-19 X 3/8 HIGH-LOW SS		14
362	2335130	BUMBER ACTUATOR		2
364	✘	PCB/CTRL CORD, PD FT PEDAL		1
366	2301750	WASHER, WAVE, PD V3 FP		1
368	2316600	DECAL-ON/OFF SWITCH/PD V2 PED		1
370	2325110	PAD, FOOT PEDAL PD		5

▲ Not shown on Parts Diagram.

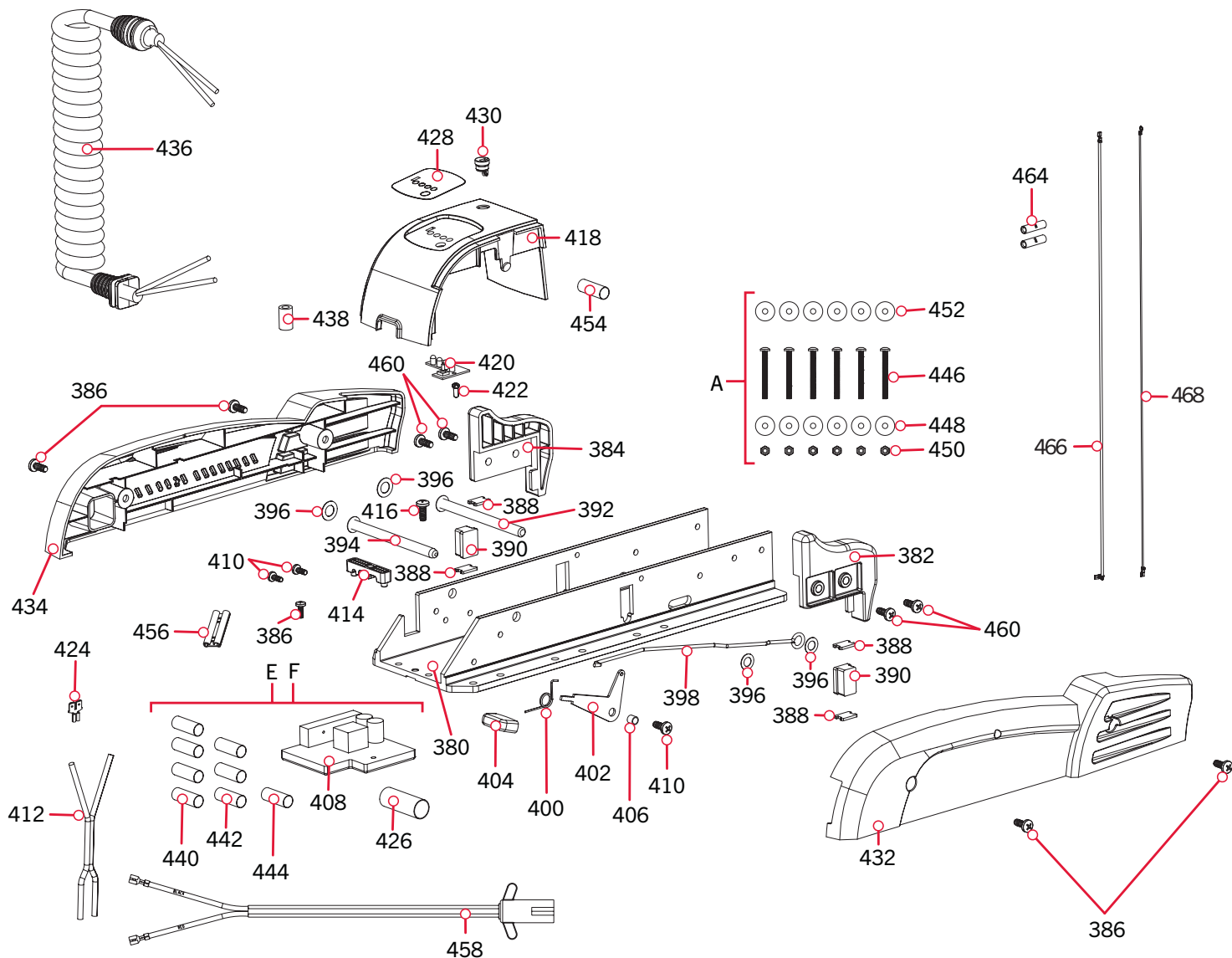
✘ This part is included in an assembly and cannot be ordered individually.



PARTS DIAGRAM & PARTS LIST

POWERDRIVE MOUNT >

> Mount Parts Diagram



PARTS DIAGRAM & PARTS LIST

Mount Parts List

Assembly	Part #	Description	Notes	Quantity
A	2994864	BAG ASSEMBLY - (BOLT, NUT, WASHERS)		1
E	2884055	CONTROL BRD-12V V2 W/O AP W/SHRNK		1
F	2884056	CONTROL BRD-24V V2 W/O AP W/SHRNK		1
Item	Part #	Description	Notes	Quantity
380	2301936	EXTRUSION BASE PD V2		1
382	2303932	MOTOR REST-RIGHT, 3 5/8"	*70LB* *50LB* *55LB*	1
	2303930	MOTOR REST-RIGHT, 3 1/4"	*42LB* *45LB*	1
384	2303937	MOTOR REST-LEFT, 3 5/8"	*70LB* *50LB* *55LB*	1
	2303935	MOTOR REST-LEFT, 3 1/4"	*42LB* *45LB*	1
386	2303430	SCREW-1/4-20 X 5/8-SELFTAP ZP		5
388	2305110	PAD-PIVOT SUPT ZINC		4
390	2305103	PIVOT PAD, DUROMETER 90A		2
392	2300500	PIN-LATCH		1
394	2300510	PIN-PIVOT		1
396	2013100	NUT-SPEED		4
398	2303612	ROD-RELEASE (RT/AP) S/S		1
400	2322700	SPRING-TORSION		1
402	2303710	LEVER-RELEASE		1
404	2300101	RELEASE-KNOB		1
406	2301700	SPACER-RELEASE LEVER-BRASS		1
408	2304084	CONTROL BRD-12V V2 W/O AP	*42LB 54"* *45LB 48"* *50LB 54"* *55LB 54"* *55LB 48" PONTOON*	1
	2304085	CONTROL BRD-24V V2 W/O AP	*70LB 60"* *70LB 60" DSC* *70LB 48" PONTOON*	1
	2304087	CONTROL BOARD-24V V2 W/AP	*70LB 54" GPS* *70LB 60" DSC GPS*	1
	2304086	CONTROL BOARD-12V V2 W/AP	*45LB 54" GPS* *55LB 54" GPS* *55LB 54" DCS GPS*	1
410	2303434	SCREW-#8-32 X 5/8 MACH PHCR SS		3
412	2090651	LEADWIRE, 10 GA		1
414	2321310	STRAIN RELIEF		1
416	2323405	SCREW-1/4-20 X 1/2" MCH SS		1
418	2306570	HOUSING-CENTER, POWERDRIVE		1
420	2074071	BATTERY METER, 24V	*70LB*	1
	2074070	BATTERY METER, 12V	*42LB* *45LB* *50LB* *55LB*	1
422	2383428	SCREW-#4-24 X 5/8 HI-LO SS		1
424	2320710	TERMINAL-AMP (T-TAB)	*55LB 54" DSC* *55LB 54" DSC GPS* *70LB 54" DSC* *70LB 60" DSC* *70LB 60"* *70LB 60" DSC GPS* *70LB 48" PONTOON*	1

▲ Not shown on Parts Diagram.

✘ This part is included in an assembly and cannot be ordered individually.

PARTS DIAGRAM & PARTS LIST



Item	Part #	Description	Notes	Quantity
426	2325401	SHRINK TUBE-3/4 ID X 2" W/ADHS	*55LB 54" DSC* *55LB 54" DSC GPS* *70LB 54" GPS* *70LB 60"* *70LB 60" DSC* *70LB 60" DSC GPS* *70LB 48" PONTOON*	1
428	2315612	DECAL-BAT METER, PD, FW, BLK		1
430	2302935	STRAIN RELIEF-DR. HOUSING		1
432	2303980	SIDEPLATE-RIGHT PD MK		1
434	2303985	SIDEPLATE-LEFT PD MK		1
436	2991284	COIL CORD W/STRAIN RLF,PD 60"	*70LB 60"* *70LB 60" DSC* *70LB 60" DSC GPS*	1
	2991280	COIL CRD W/STRN RLF, PD 48"/54"	*42LB 54"* *45LB 48"* *45LB 54"* *45LB 54" GPS* *50LB 54"* *55LB 54"* *55LB 54" GPS*	1
	2991283	COIL CORD W/STRN RLF, PD 48"/54"	*55LB 54" DSC* *55LB 54" DSC GPS* *70LB 54" GPS*	1
438	2307313	BEAD-FERRITE		1
440	2305401	SHRINK TUBE-.374 ID X 1.5"		4
442	2305410	SHRINK TUBE-.315 OD X 2.25"		3
444	2305415	SHRINK TUBE-.472 ID X 2.25"		1
446	2263462	SCREW-1/4-20 X 2" S/S PPH ADJT		6
448	2261713	WASHER-1/4 FLAT 18-8 SS		6
450	2263103	NUT-1/4-20 NYLOCK SS		6
452	2301720	WASHER-MOUNTING - RUBBER		6
454	2375400	SHRINK TUBE-1/4OD X 1-3/4		1
456	2320715	ADAPTER-TAB .25 F-F	*55LB 54" DSC* *55LB 54" DSC GPS* *70LB 54" GPS* *70LB 60" DSC* *70LB 60"* *70LB 60" DSC GPS*	1
458	2266730	LEADWIRE W/PLUG,12/24V,PD,TRKR	*TRACKER*	1
	2996717	TRACKET PLUG/LEADWIRE ASSY	*TRACKER* *70LB 60"*	1
460	2323404	SCREW -1/4-20X1/2" T-L ZP		4
▲	2015800	HANG TAG "CAUTION...TILT HINGE"		1
464	2030710	CONNECTOR BUTT	*42LB 54"*	2
466	2030317	WIRE EXTENSION-18"-RED	*42LB 54"*	1
468	2030316	WIRE EXTENSION-18"-BLACK	*42LB 54"*	1

▲ Not shown on Parts Diagram.

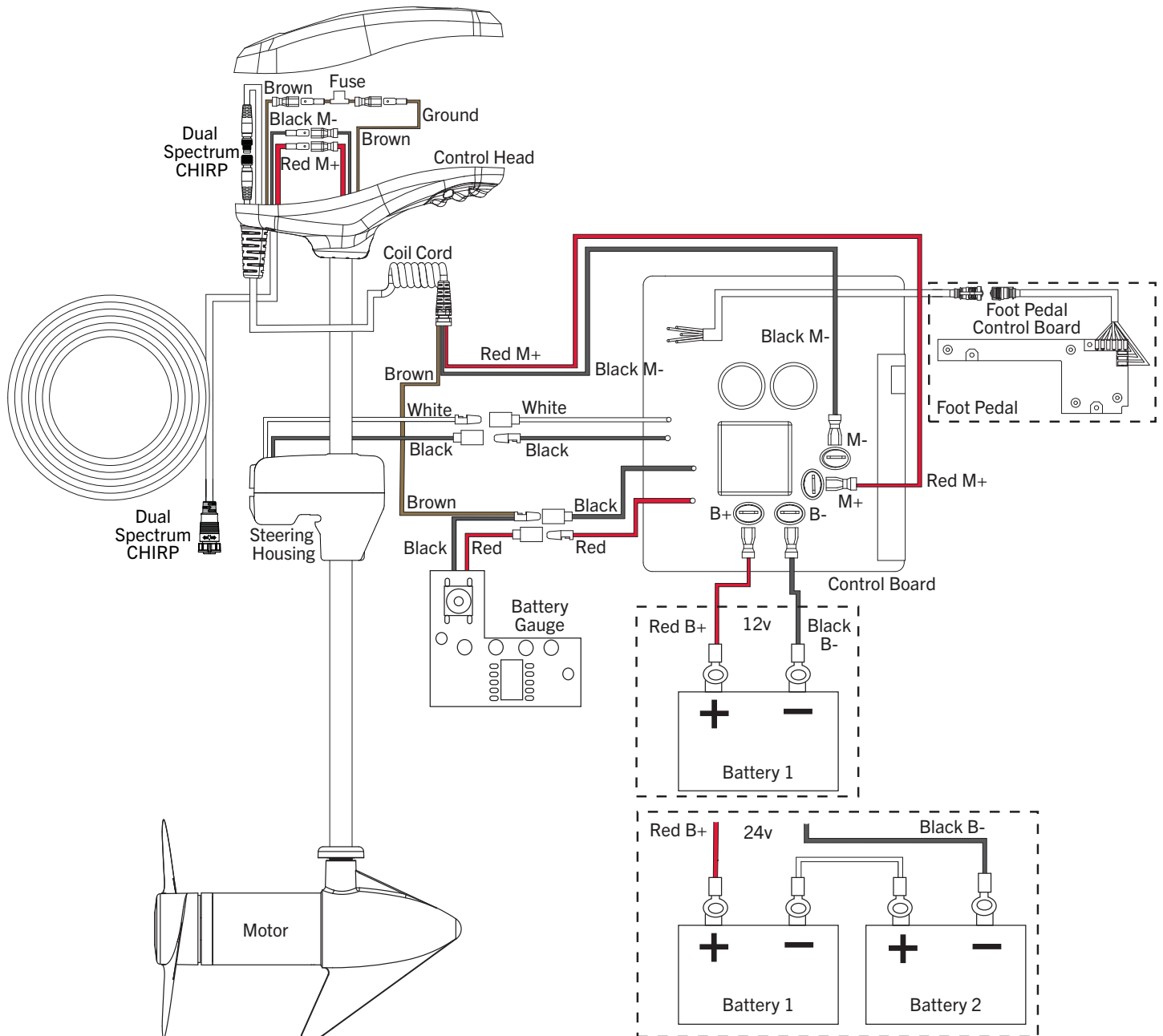
✘ This part is included in an assembly and cannot be ordered individually.



MOTOR WIRING DIAGRAM

POWERDRIVE

The following Motor Wiring Diagram applies to all PowerDrive models that do not come factory installed with Advanced GPS Navigation. Dual Spectrum CHIRP is an optional feature that may come factory installed. Motors without Advanced GPS Navigation may come with a Foot Pedal.

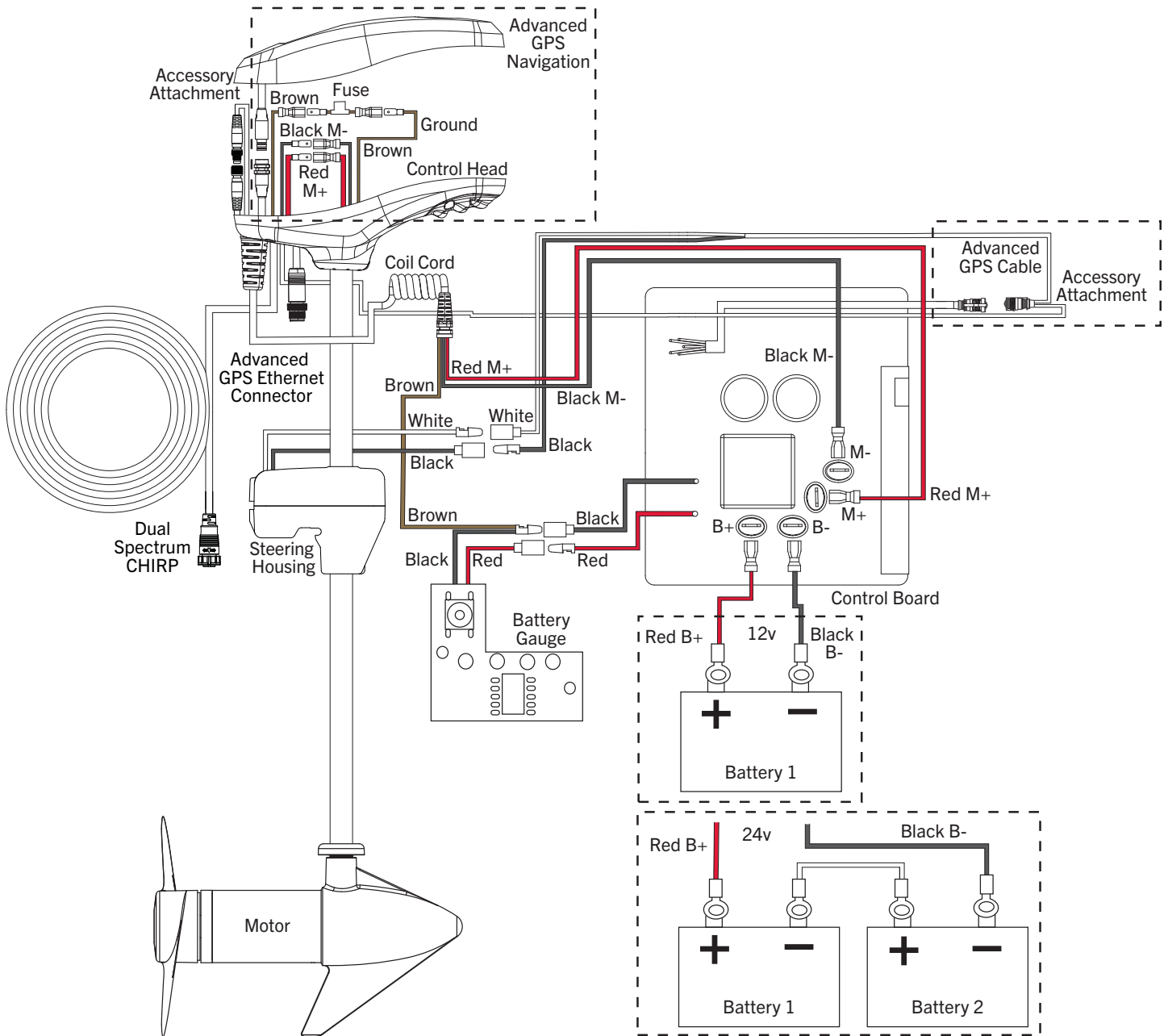


NOTICE: This is a multi-voltage diagram. Double-check your motor's voltage for proper connections. Over-Current Protection Devices are not shown in this illustration.

POWERDRIVE WITH ADVANCED GPS NAVIGATION

POWERDRIVE WITH ADVANCED GPS NAVIGATION

The following Motor Wiring Diagram applies to all PowerDrive models that come factory installed with Advanced GPS Navigation. Dual Spectrum CHIRP is an optional feature that may come factory installed.



NOTICE: This is a multi-voltage diagram. Double-check your motor's voltage for proper connections. Over-Current Protection Devices are not shown in this illustration.